

COMMSCOPE® DIN rail Empty Box

1. General product information

This instruction sheet covers the proper use and maintenance of DIN Empty Box that shall mount on a standard 35mm DIN rail.

Empty box can accept Commscope® DM and DDM module/bezel, and suitable for use in shielded and unshielded applications.

Ordering information is listed below.

MID	PRODUCT NM
760258278	DIN RAIL BOX, EMPTY, BLACK



Separately orderable items—Compatible Module/ bezel List

MID	PRODUCT NM	QTY
760206938	1100-U-GS3-DM6	1
760206987	1100-U-GS6-DM6	1
760238660	CPP-UDDM-SL-KIT-4PK	4
760256558	CPP-UDDM-M-KIT-4PK	4
760258279	SHIELDED DDM FOR DIN RAIL EMPTY BOX (1 PC)	1

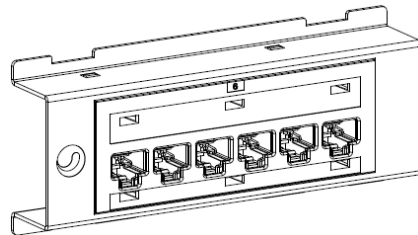
Note: Please check the empty box compatible module/bezel MID carefully before you place the order. Contact with local COMMSCOPE representative for further detail info.

2. Installation steps

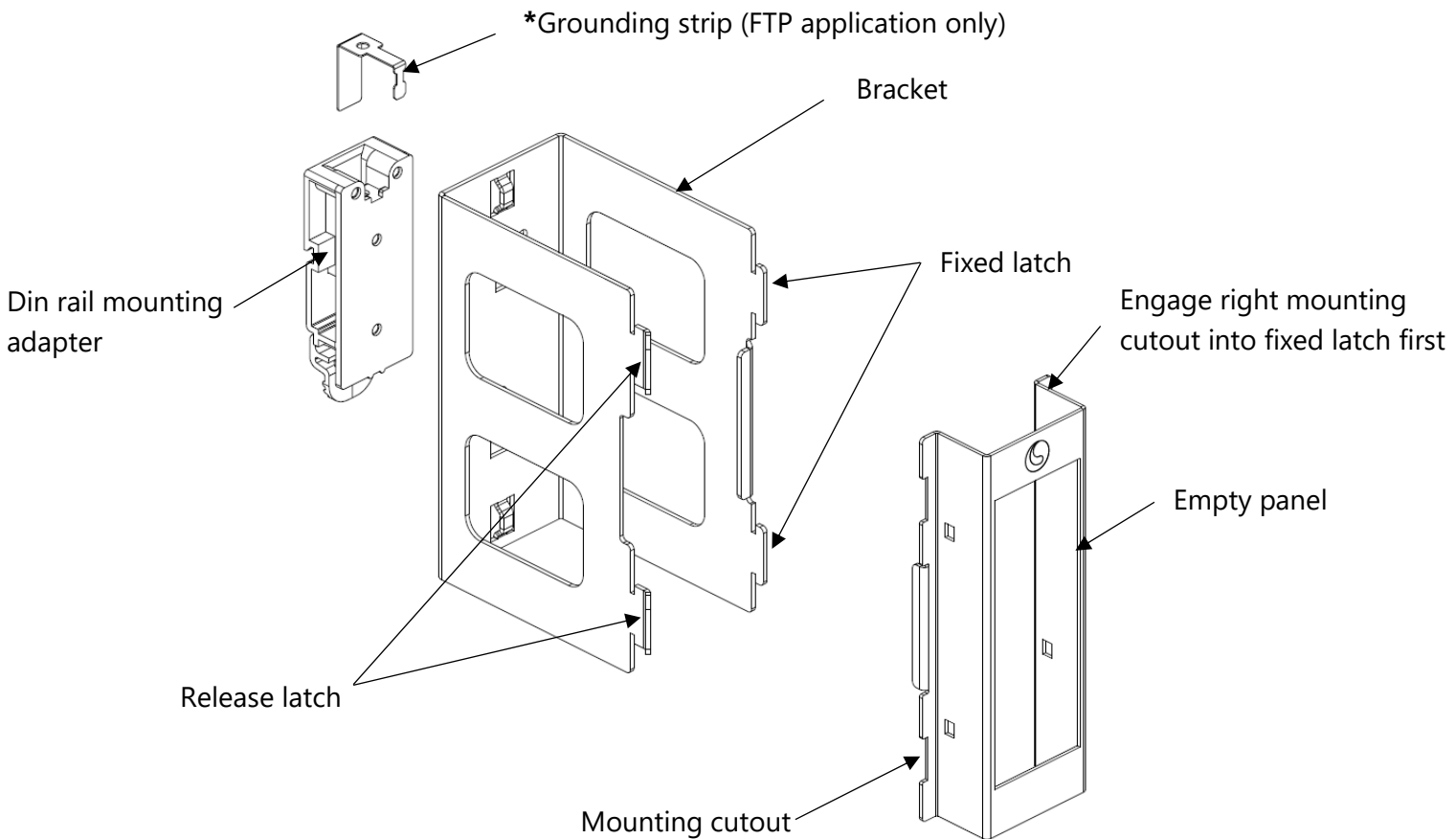
Step 1 – Module / bezel installation

*For UTP Bezel, DM module application

- 1.1 Assemble the bezel/ module to empty panel. Then assemble the terminated jack / terminate module.



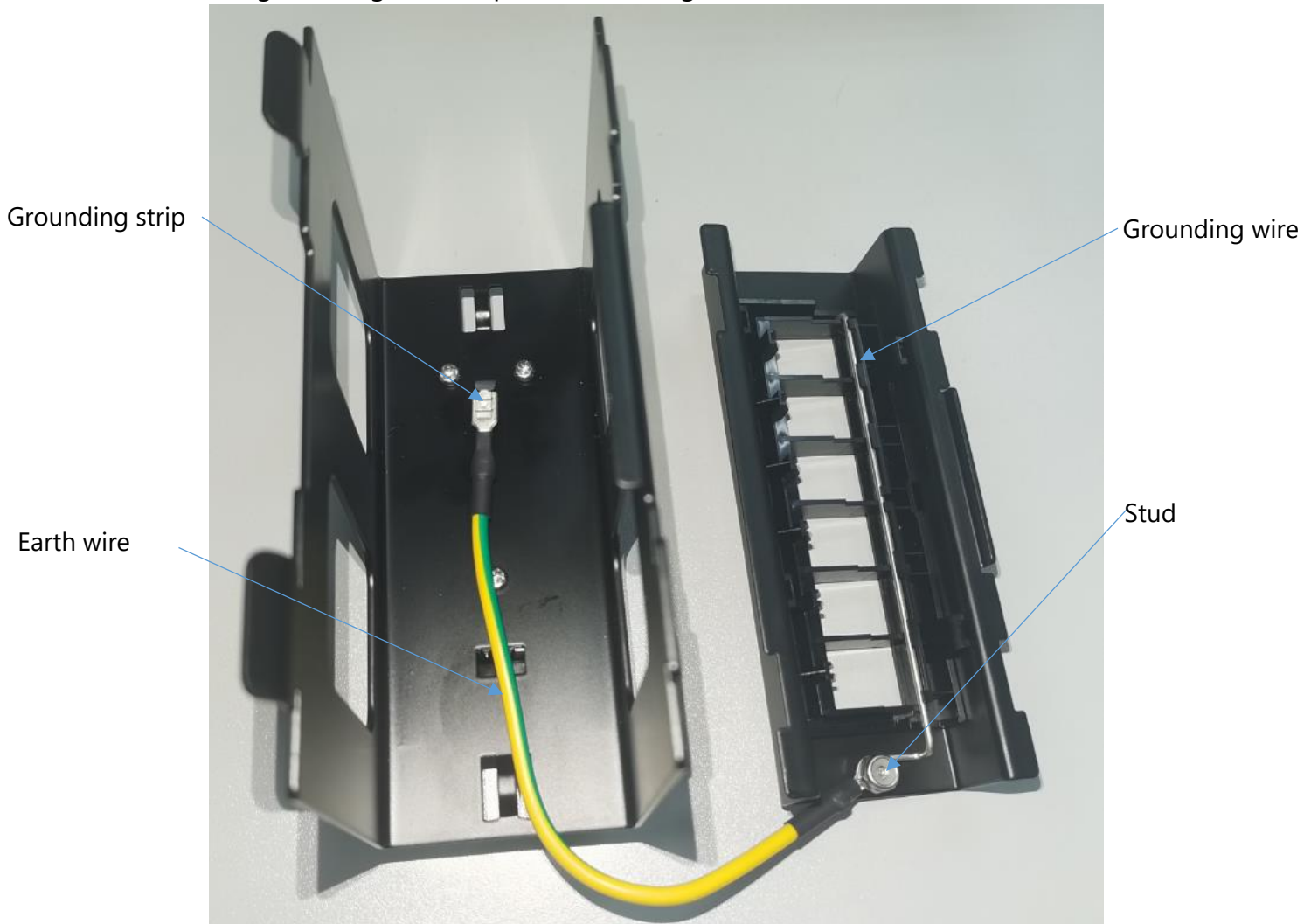
Notes: For further information related to jack or module termination, refer to relevant Instruction sheet.



Exploded view.

***For FTP application**

Connect the earth wire, one end connects with grounding strip by insertion, the other end connects with grounding wire on panel stud using nut.

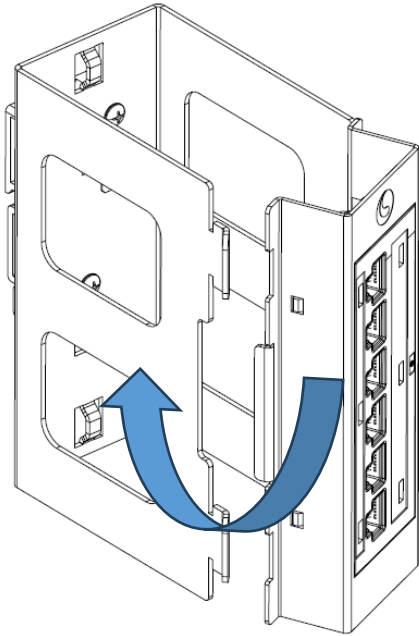


Grounding connection: Grounding wire connect with jack +earth wire+ Grounding strip contact.

Grounding strip that connects to the earth wire connected to another grounding which completes the ground connection to the metal DIN rail.

1.2 Panel installation.

Engage the right mounting cutouts onto the fixed latches (shown in exploded view) on the bracket first, then push in on the panel to snap the left mounting cutouts onto the release latches.



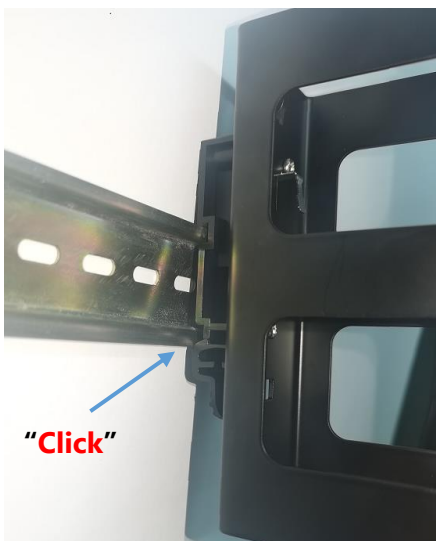
1.3 Panel removal

Remove the panel from the bracket by pressing the release latches outward to free mounting cutout on panel, then pressing the fixed latches outward and lifting the panel off the bracket.

Step 2 – DIN rail adapter installation and Removal

2.1 Install on DIN rail.

Position the adapter at an angle to align the adapter hook with din rail on the top side, then engage the bottom tab into the Din rail by pushing panel.



2.2 Remove adapter from DIN rail.



Pull the tab at the bottom of DIN rail adapter.

3. Revision history

- Rev. A – Initial release.