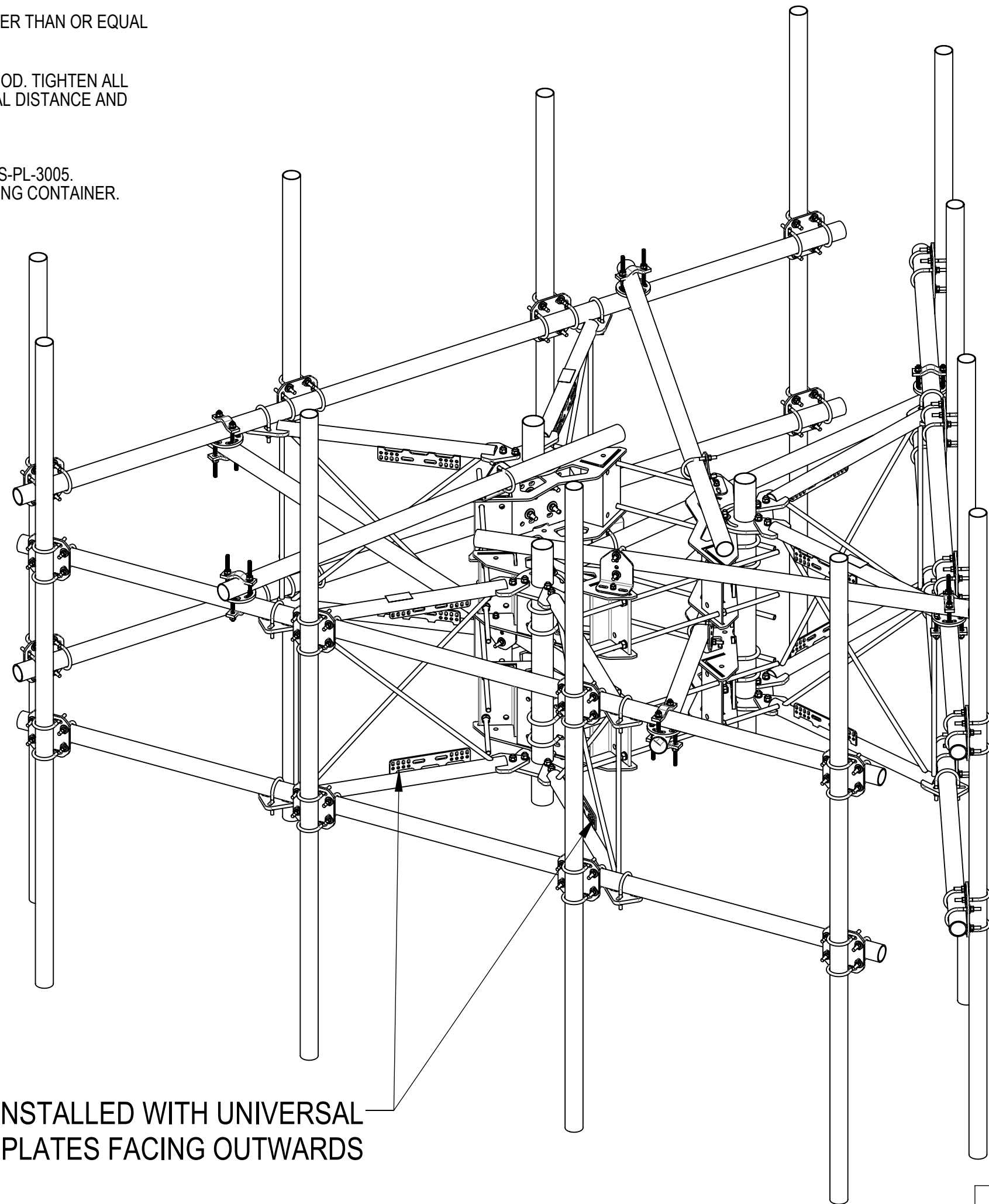


- 1.0 GENERAL NOTES
 - 1.1 ALL METRIC DIMENSIONS ARE IN BRACKETS [X.X]
 - 1.2 FOR PATENT INFO: <https://www.cs-pat.com>
- 2.0 DESIGN NOTES
 - 2.1 ANY HAZARDS OR OBSTRUCTIONS TO THE CLIMBING FACILITY AND SAFETY CLIMB MUST BE IDENTIFIED PRIOR TO INSTALLING THE APPURTENANCE. ADDITIONAL PRODUCTS MAY BE REQUIRED TO MAINTAIN THE INTEGRITY OF THE SAFETY CLIMB. DURING INSTALLATION, TEMPORARY AND/OR PERMANENT PRECAUTIONARY MEASURES SHOULD BE TAKEN TO PRESERVE THE CLIMBING FACILITY AND/OR SAFETY CLIMB.
 - 2.2 FITS MONOPOLES 28" TO 50" OD. MONOPOLE DIAMETER MUST BE GREATER THAN OR EQUAL TO 28" TO MEET ANTENNA TO ANTENNA CORNER SPACING OF >24".
- 3.0 MANUFACTURING/SPECIAL REQUIREMENTS
 - 3.1 TIGHTEN ALL BOLTS SECURING FLAT PLATES BY THE TURN-OF-NUT METHOD. TIGHTEN ALL U-BOLTS USING TURN-OF-NUT METHOD WITH ATTENTION TO LEAVE EQUAL DISTANCE AND EQUAL FORCE ON EACH LEG OF THE U-BOLT.
- 4.0 TEST
- 5.0 PACKAGING
 - 5.1 PACKAGING SHALL MEET COMMSCOPE REQUIREMENTS PER DOCUMENT IS-PL-3005.
 - 5.2 PRINTED DOCUMENT TO BE PLACED INSIDE POLYBAG AND THEN IN SHIPPING CONTAINER.
 - 5.3 EXTRA HARDWARE MAY BE SUPPLIED, BAGGED AND SHIPPED.

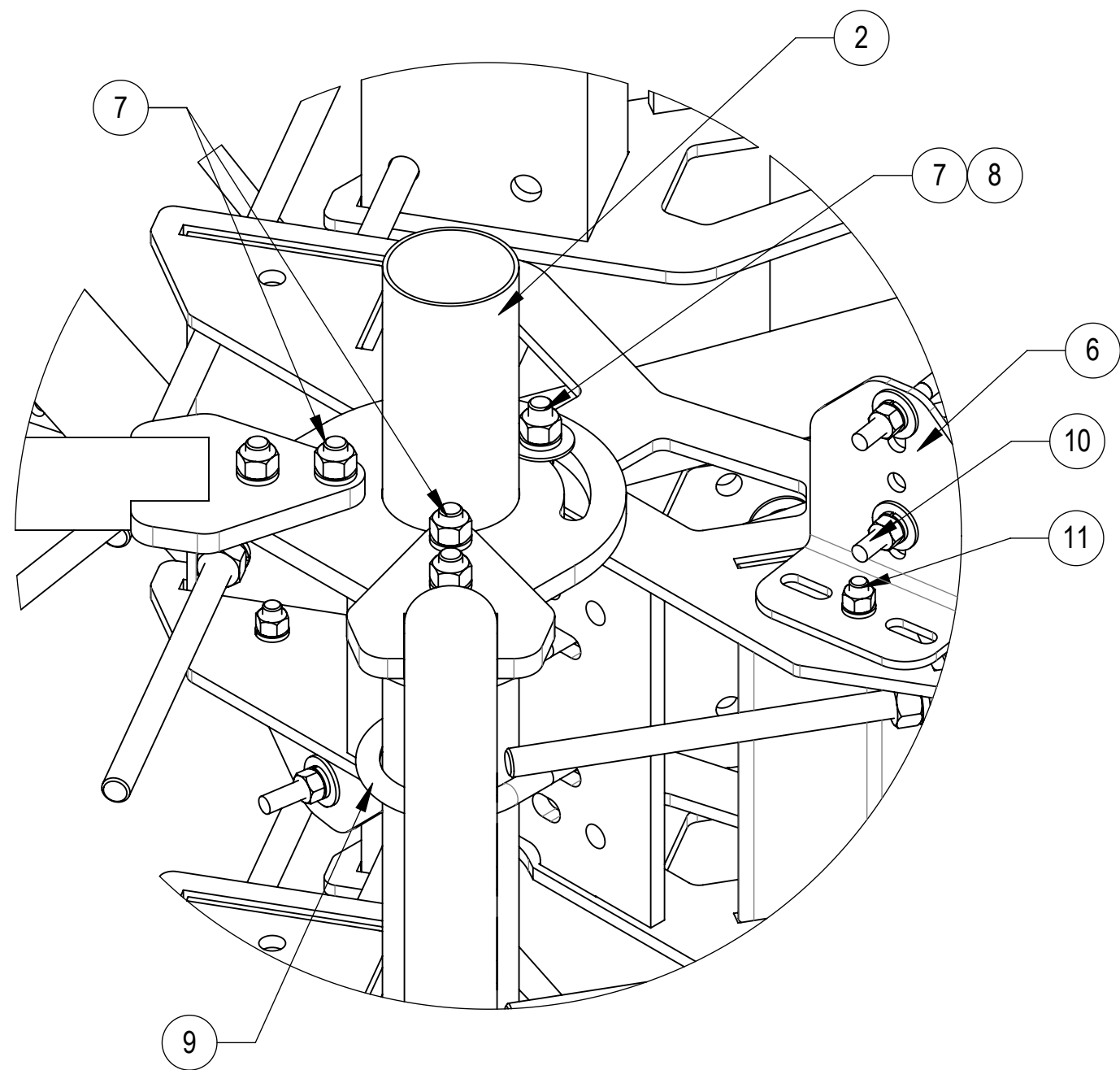
REVISIONS			
REV.	DESCRIPTION	DATE	APPROVED
A	INITIAL RELEASE	JL1183 18FEB24	CB1094 40188553CMO
B	SFG2292-00 WAS SFG2278; ADDED SHEET 4	RY1002 27NOV24	YZ1080 40209667CMO



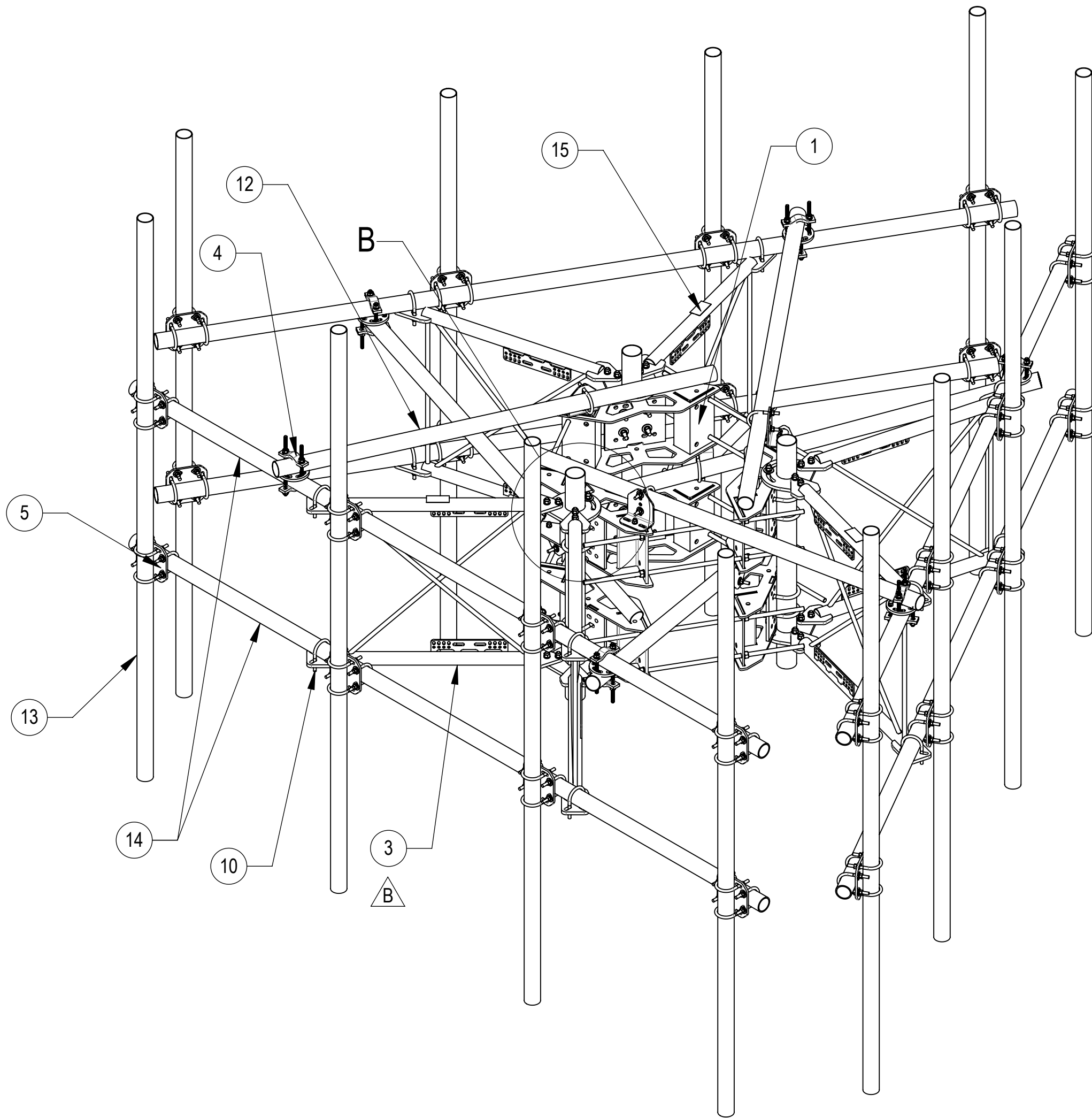
SHOULD BE INSTALLED WITH UNIVERSAL INTERFACE PLATES FACING OUTWARDS

COMMSCOPE, INC. OF NORTH CAROLINA			
TOLERANCES		SAP MATERIAL MASTER	
0 PLACE X[X] ± 0.25[6.3]	2 PLACE .XX[X] ± 0.06[1.5]	MCG22HDX13-12-H10	
1 PLACE .X[X] ± 0.12[3.0]	ANGLES ± 2°		
FINISH		MATERIAL	
UNLESS OTHERWISE SPECIFIED DIMENSIONS ARE IN INCHES INTERPRET PER ANSI Y 14.5M-1994	NAME	DATE	MP, 13' SF KIT OF 3 W/COLLAR, AP
	CE JL1183	18FEB24	
	RW RY1002	12/02/2024	
	AD YZ1080	12/04/2024	
	RE YMENG	12/17/2024	
ECN 40209667CMO	SCALE	DOCUMENT NO.	
	1:18	MCG22HDX13-12-H10	
SIZE	Auth Group	INSL	MODEL
C			VERSION STATUS REVISION
			01 RE B
			VERSION STATUS REVISION
			01 RE B
			DRAWING
			VERSION STATUS REVISION
			01 RE B
			SHEET
			1 OF 5

DENSITY		lbs/in ³
MASS	2201.38	lbs
VOLUME	9069.55	in ³
SURFACE AREA	87717.33	in ²
HEIGHT	120"	
LENGTH	173"	
WIDTH	150"	



DETAIL B
SCALE 1 : 4



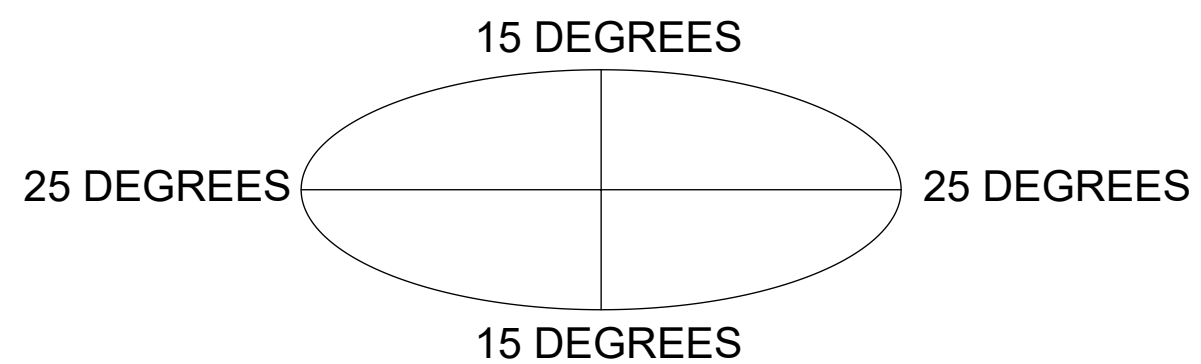
TOP
↓
BOTTOM

COMPONENT PART NUMBERS PROVIDED FOR ASSEMBLY PURPOSES;
INDIVIDUAL COMPONENTS MAY BE SHIPPED AS PARTS WITHIN AN INCLUDED KIT.

ITEM	PART NO.	DESCRIPTION	QTY.	WEIGHT	NOTE NO.
1	MC-RM1550-3	15" - 50" OD RINGMOUNT	2	229.90 LBS	
2	SFG2270	BACK VERTICAL ARM MOUNT	3	36.96 LBS	
3	SFG2292-00	WELDMENT, V-ARM, SECTOR FRAME 22	6	49.69 LBS	
4	XP-R	CROSSOVER PLATE, ROUND, UP TO 3.5" OD	6	6.20 LBS	
5	XP-2525	CROSSOVER PLATE KIT, 2-7/8 OD X 2-7/8 OD	24	8.37 LBS	
6	XAU01	ANGLE, CROSSOVER, 1.9-3.5" X 1.9-3.5" OD	6	2.98 LBS	
7	GB-05225	5/8" X 2-1/4" GALV BOLT KIT	30	0.28 LBS	
8	GWF-05	5/8" GALV FLAT WASHER, 1.70D	6	0.06 LBS	
9	GUB-53560	5/8" X 3-5/8" X 6" GALV U-BOLT	12	1.30 LBS	
10	GUB-4352	1/2" X 3" X 5-1/4" GALV U-BOLT	18	0.71 LBS	
11	GB-04145	1/2" X 1-1/2" GALV BOLT KIT	6	0.13 LBS	
12	MT546084120	2.88" OD X 84" LONG PIPE	6	24.81 LBS	
13	MT546120120	PIPE, 2.875"OD X 120"	12	35.44 LBS	
14	MT546156	2.875" O.D. X 156" PIPE	6	75.58 LBS	
15	SFG2255	LABEL, SFG22HDX	3	0.04 LBS	

ALLOWABLE TIEBACK ANGLE

± 15 DEGREES VERTICAL
± 25 DEGREES HORIZONTAL



COMMSCOPE, INC. OF NORTH CAROLINA

TITLE
MP, 13' SF KIT OF 3 W/COLLAR, AP

SIZE **C** SCALE **1:18** DOCUMENT NO. **MCG22HDX13-12-H10**

DRAWING	VERSION	STATUS	REVISION	SHEET 2 OF 5
	01	RE	B	

4

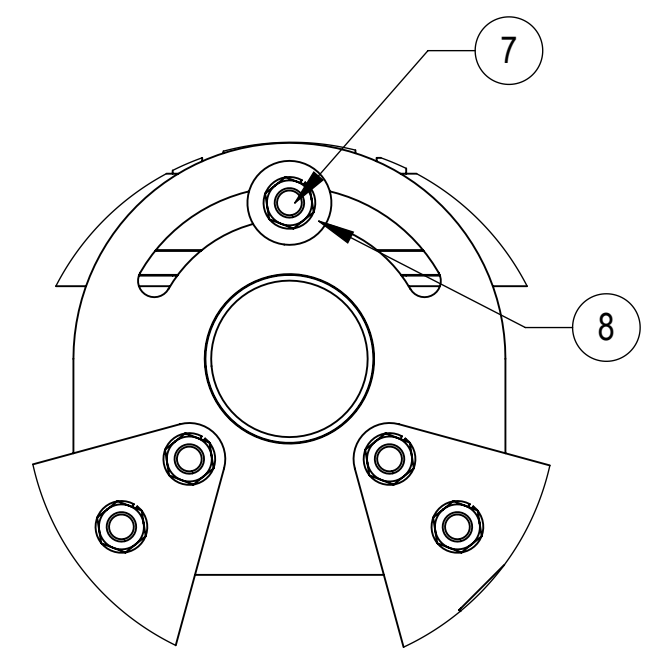
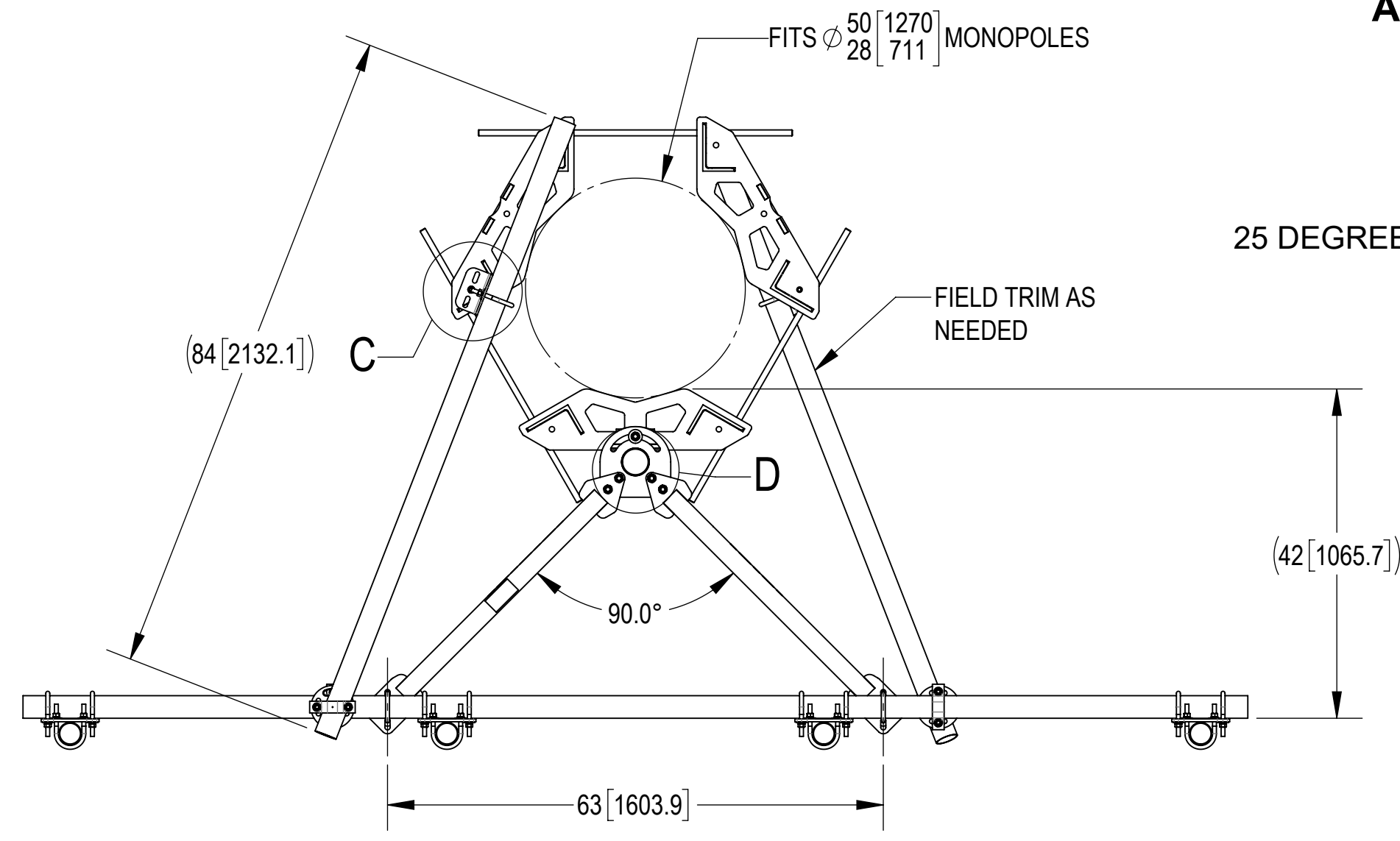
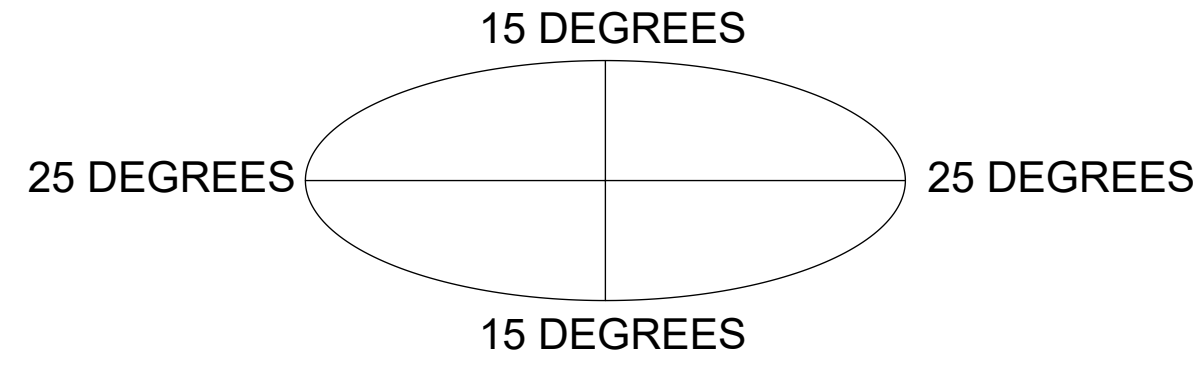
3

2

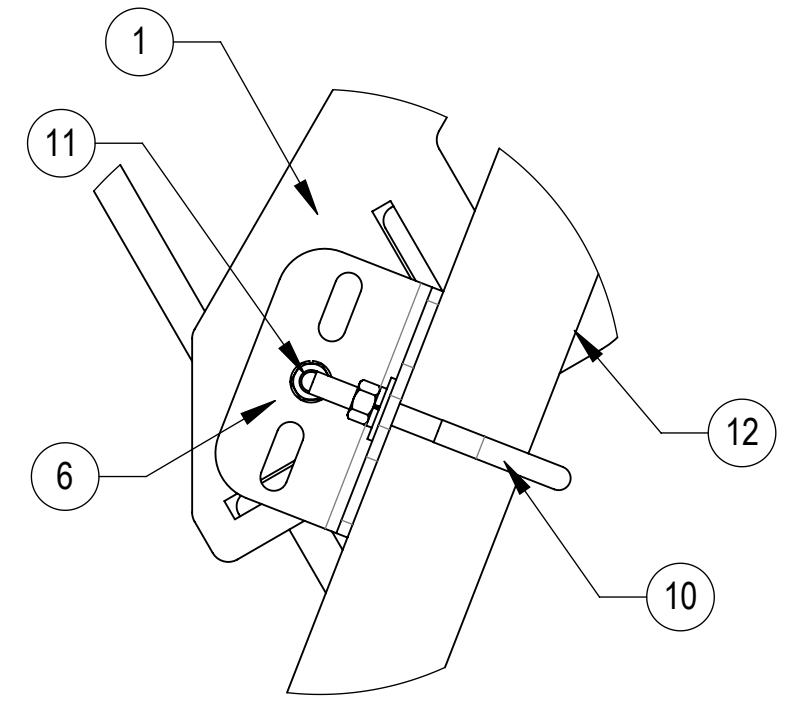
1

ALLOWABLE TIEBACK ANGLE

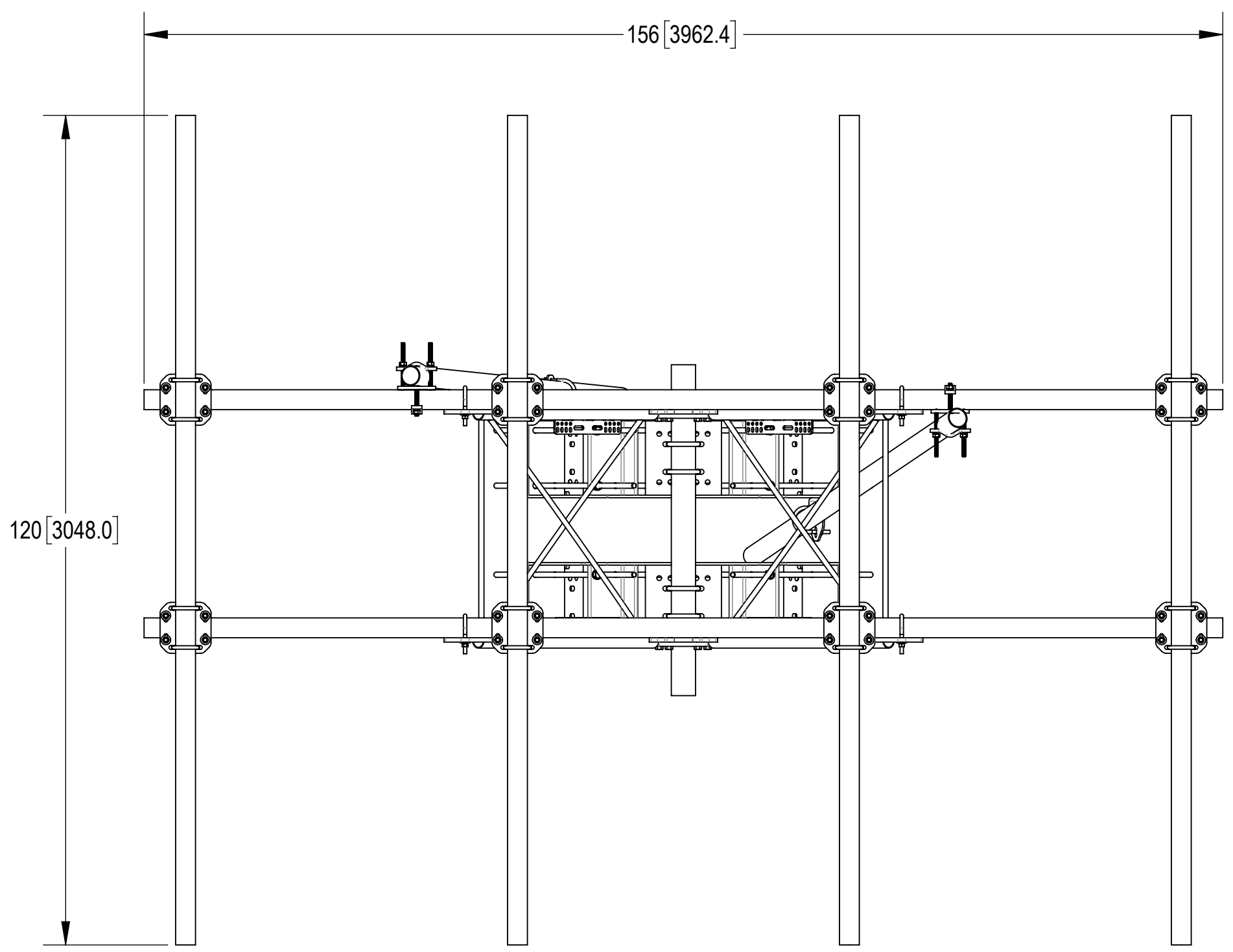
+15 DEGREES VERTICAL
±25 DEGREES HORIZONTAL



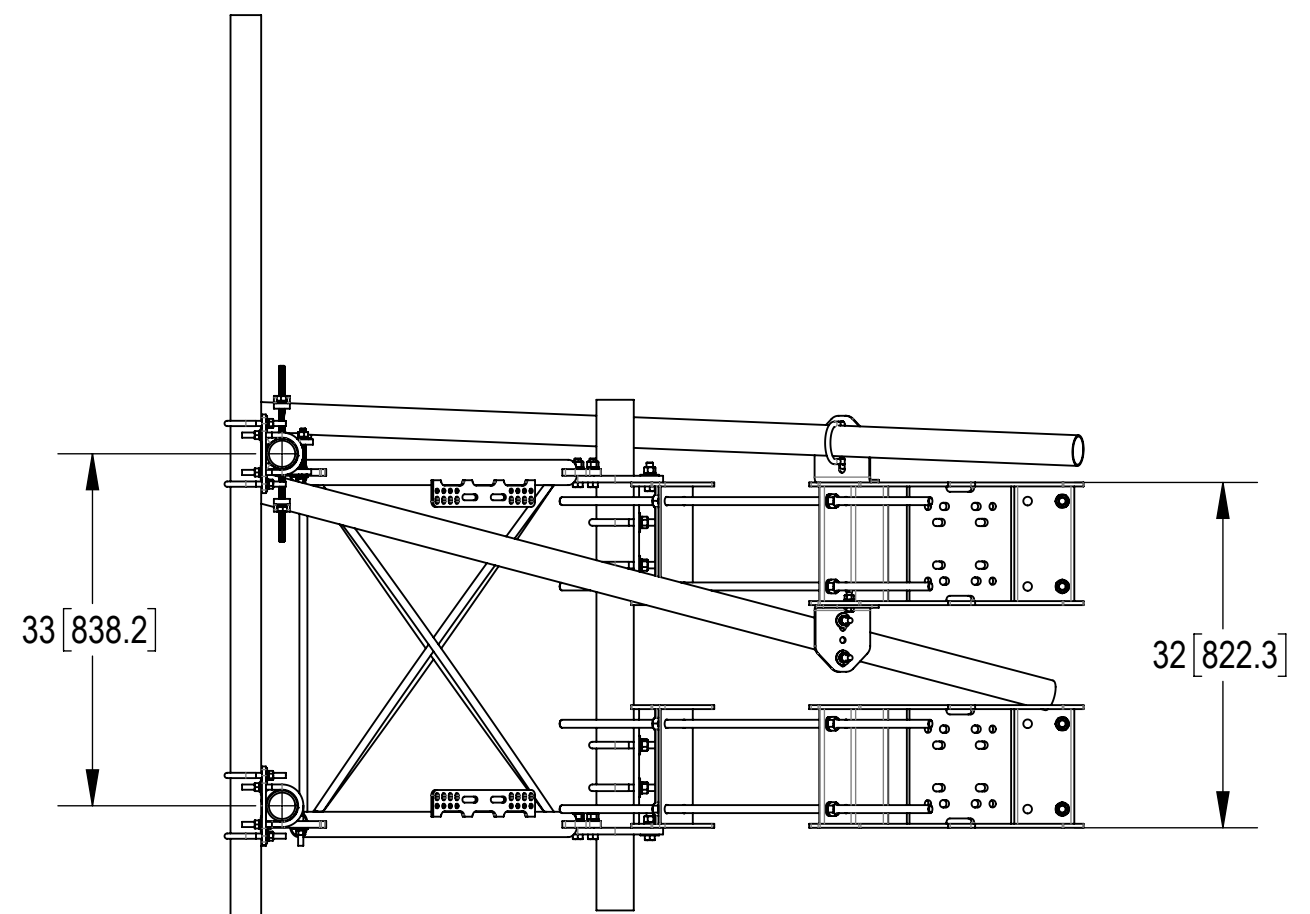
DETAIL D
SCALE 1 : 4



DETAIL C
SCALE 1 : 4



TOP
BOTTOM



SOME ITEMS OMITTED FOR CLARITY

COMMSCOPE, INC. OF NORTH CAROLINA				
TITLE MP, 13' SF KIT OF 3 W/COLLAR, AP				
SIZE C	SCALE 1:18	DOCUMENT NO. MCG22HDX13-12-H10		
		DRAWING		SHEET
		VERSION	STATUS	REVISION
		01	RE	B
				SHEET 3 OF 5

4

3

2

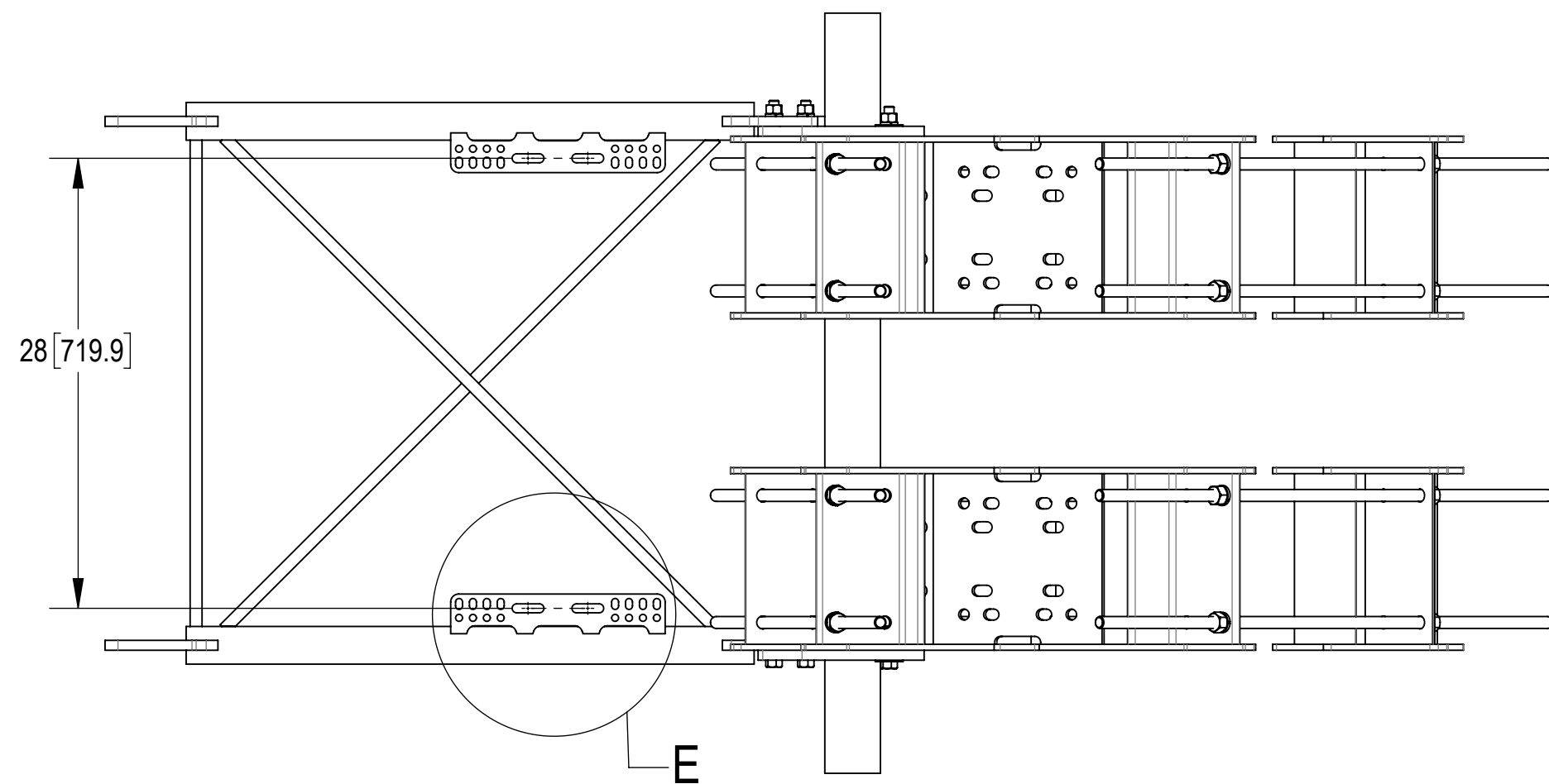
1

4

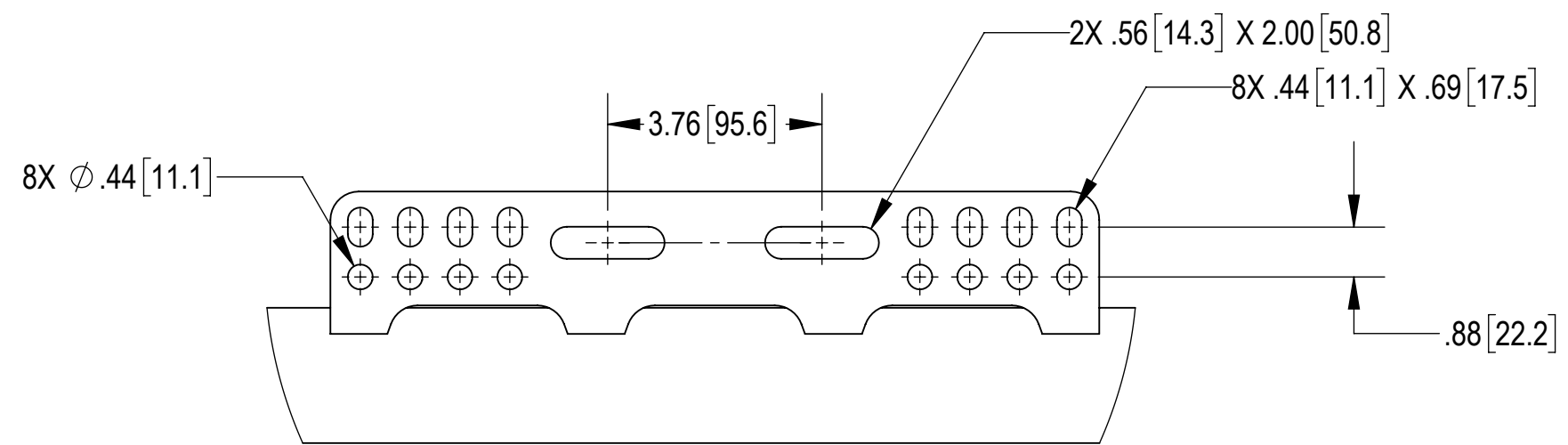
3

2

1



SIDE VIEW



DETAIL E
SCALE 1 : 3

COMMSCOPE, INC. OF NORTH CAROLINA					
TITLE MP,13' SF KIT OF 3 W/COLLAR,AP					
SIZE C	SCALE 1:10	DOCUMENT NO. MCG22HDX13-12-H10			
		DRAWING			SHEET 4 OF 5
		VERSION 01	STATUS RE	REVISION B	

4

3

2

1

D

D

C

C

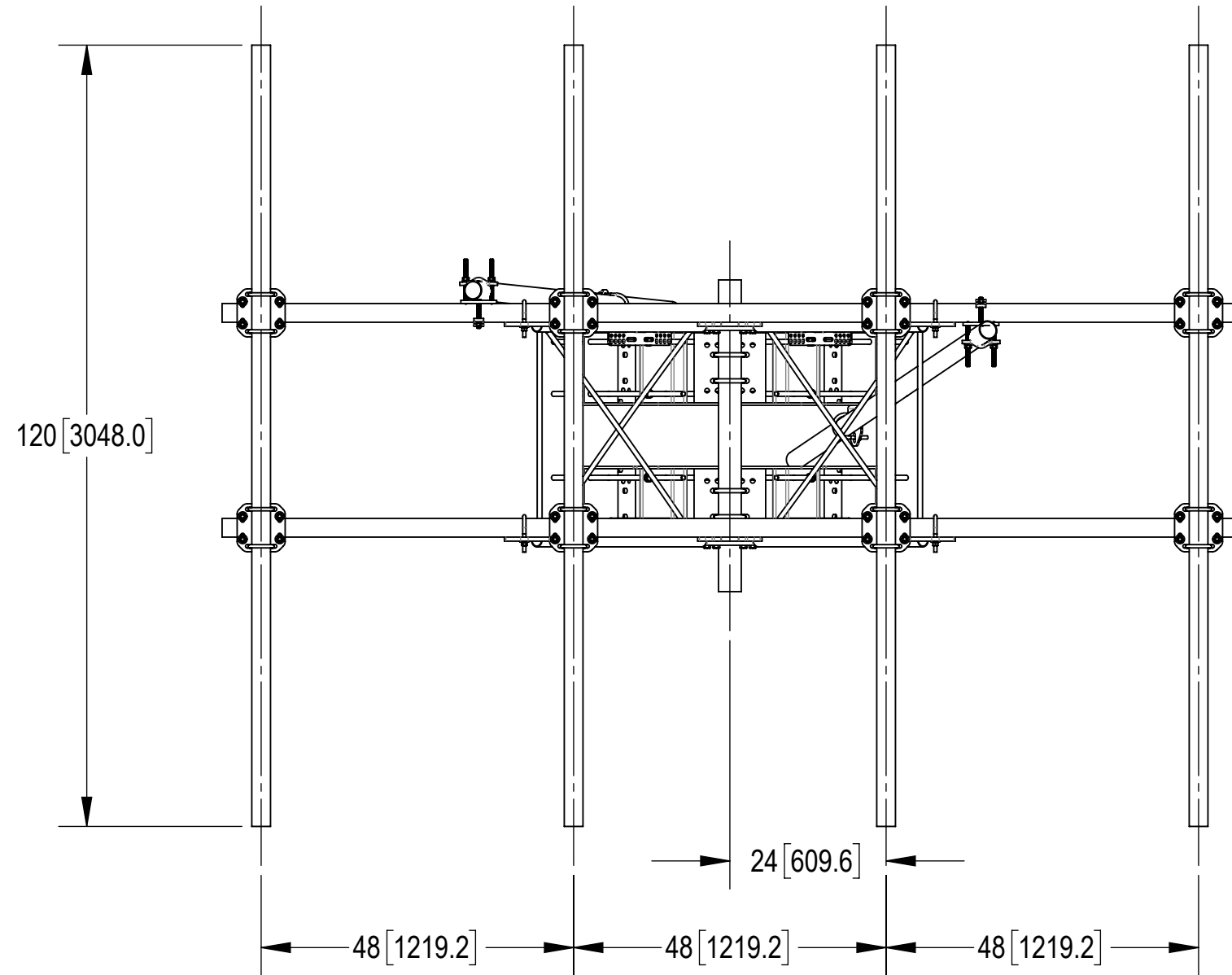
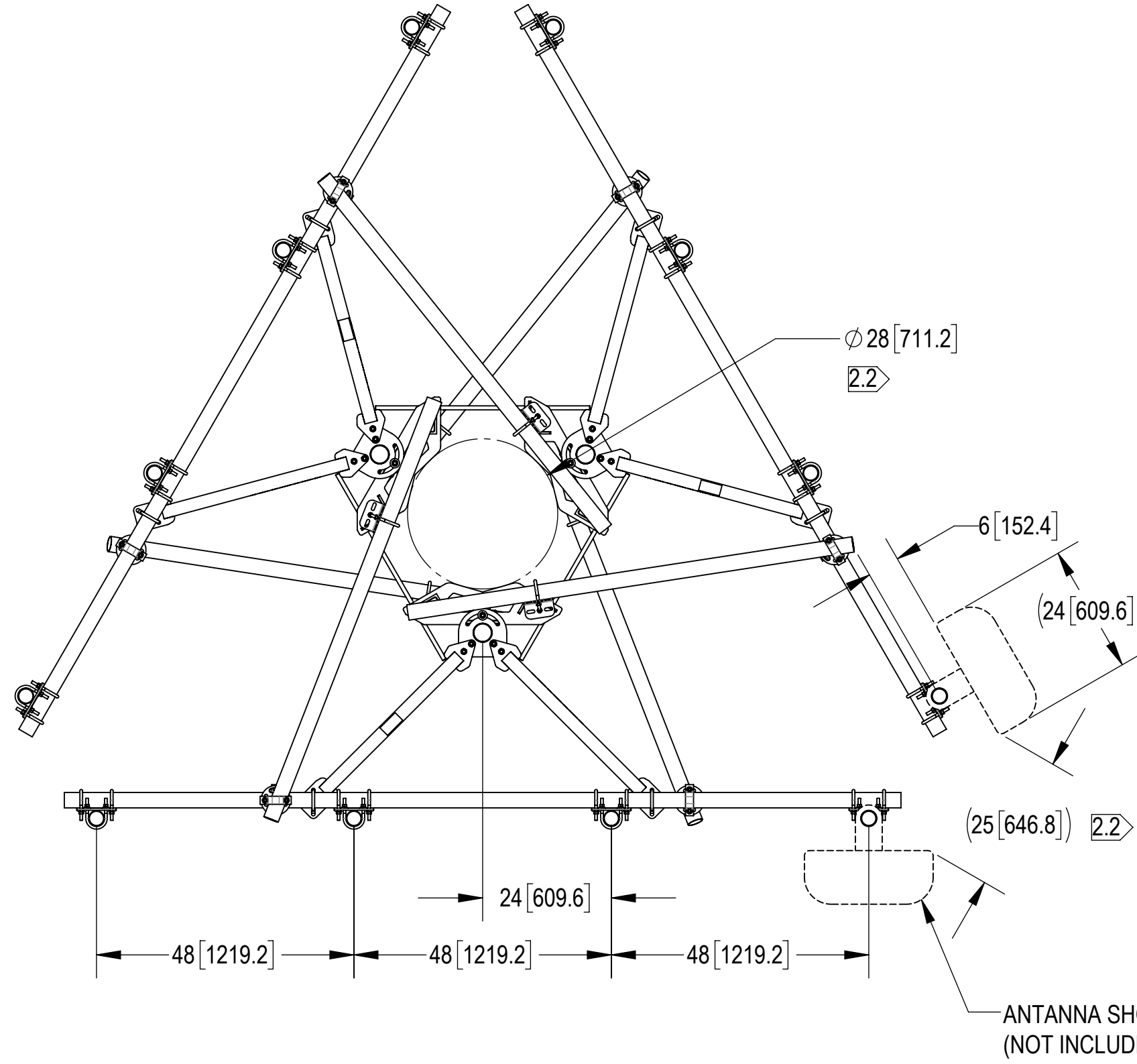
B

B

A

A

ANTENNA SPACING SHOWN



SOME ITEMS OMITTED FOR CLARITY

COMMSCOPE, INC. OF NORTH CAROLINA				
TITLE MP, 13' SF KIT OF 3 W/COLLAR, AP				
SIZE C	SCALE 1:24	DOCUMENT NO. MCG22HDX13-12-H10		
		DRAWING		SHEET
		VERSION	STATUS	REVISION
		01	RE	B
				5 OF 5