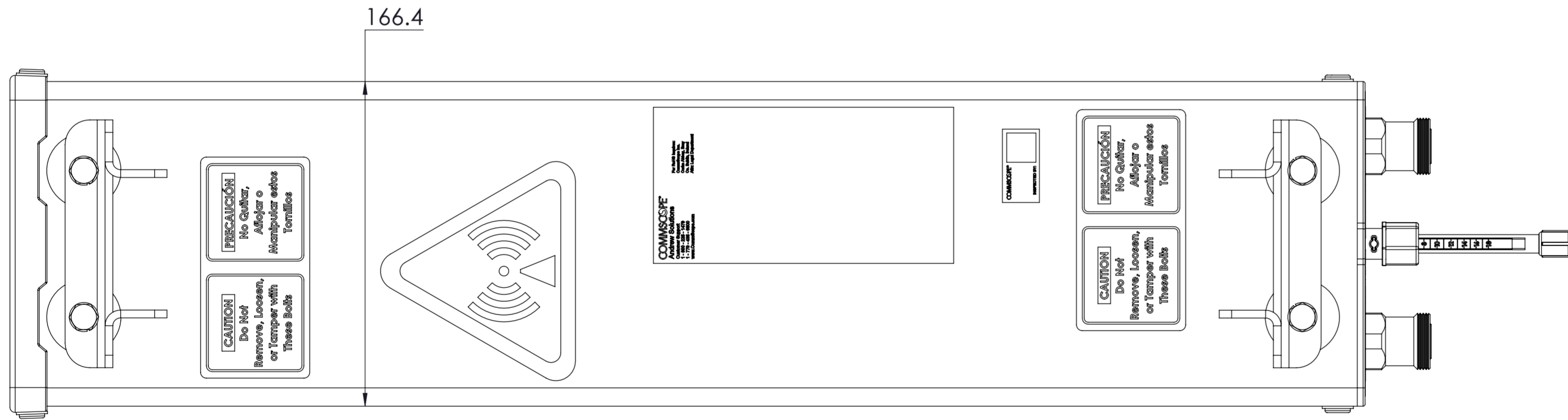
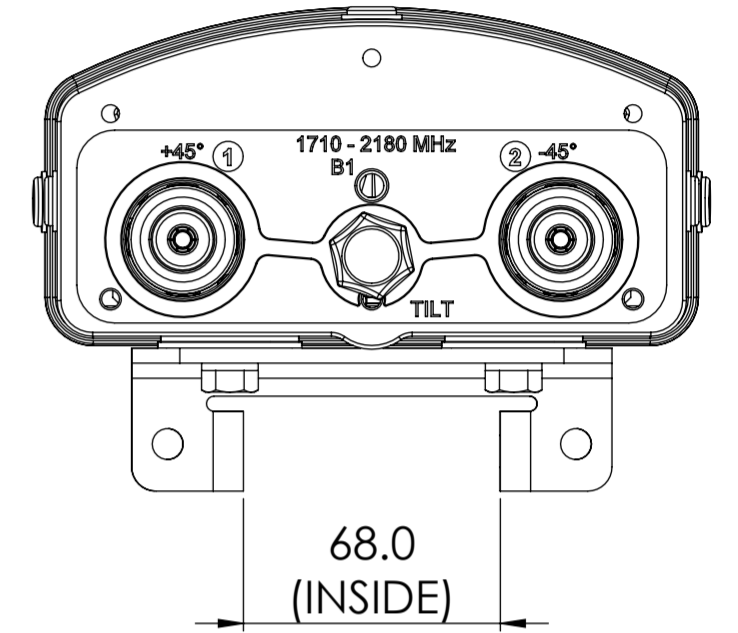
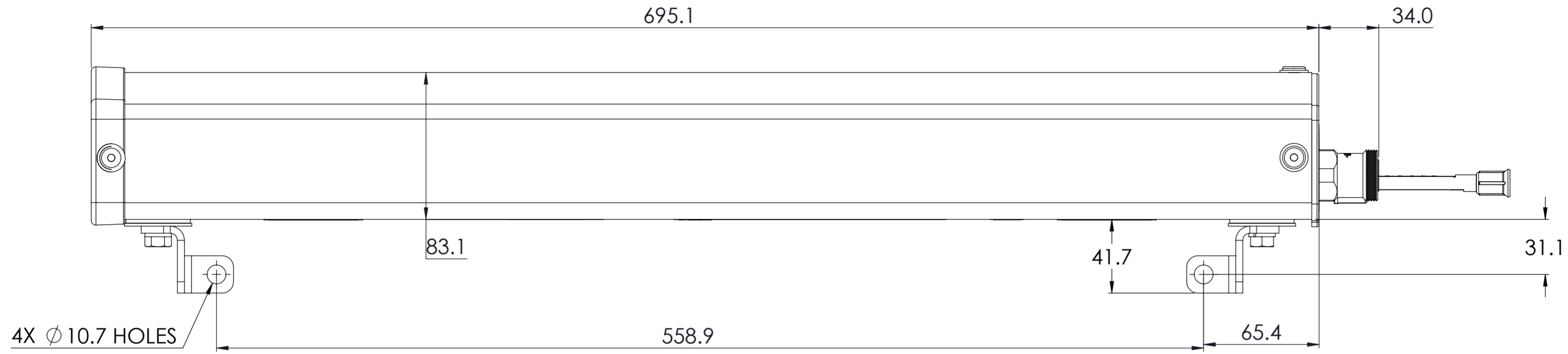


NOTES:

REVISION

L



HBX-6513DS-VTM

THIRD ANGLE PROJECTION

THIRD ANGLE PROJECTION

4

3

THIRD ANGLE PROJECTION

2

1

