

8

7

6

5

4

3

2

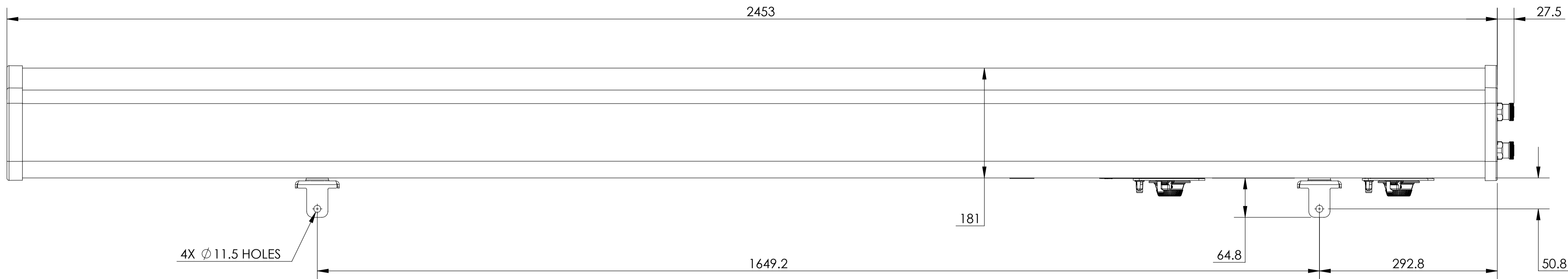
1

NOTES:

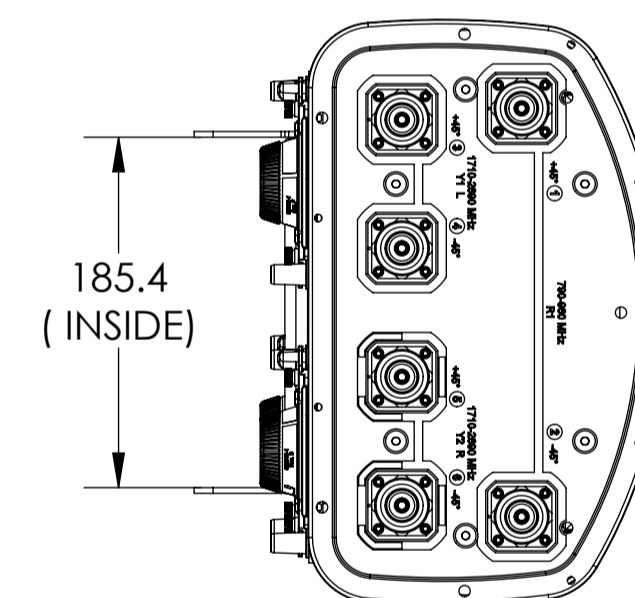
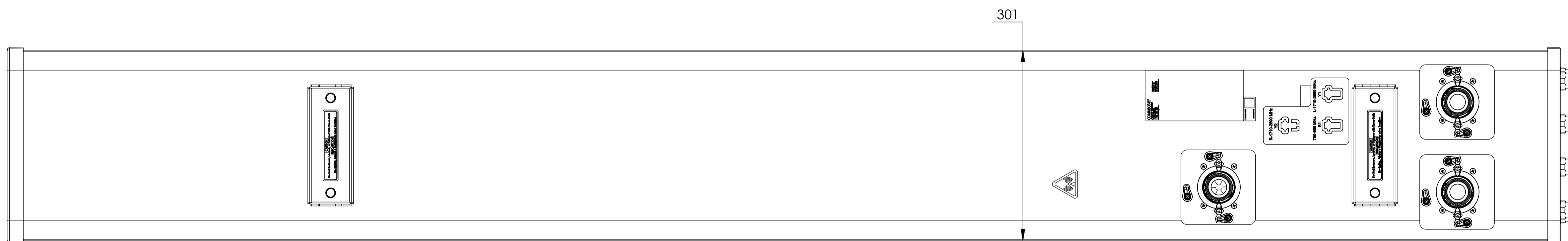
REVISION
H

D

D



C



B

CVV65CSX-M
CVV65CSX-M.NM

A

A

8

7

6

THIRD ANGLE PROJECTION

3

2

1

8

7

6

5

4

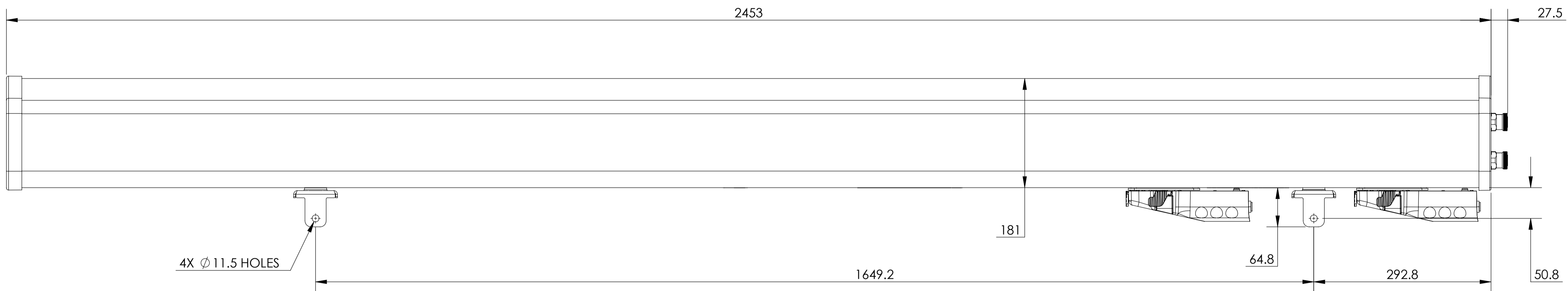
3

2

1

D

D



4X Ø11.5 HOLES

2453

27.5

181

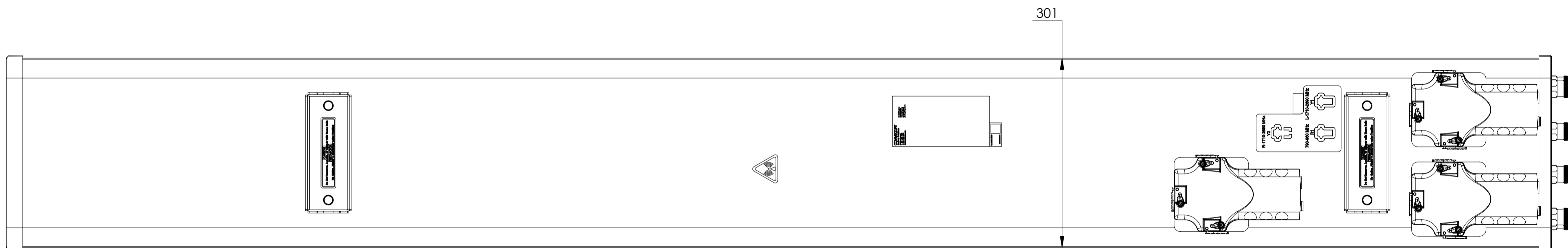
1649.2

64.8

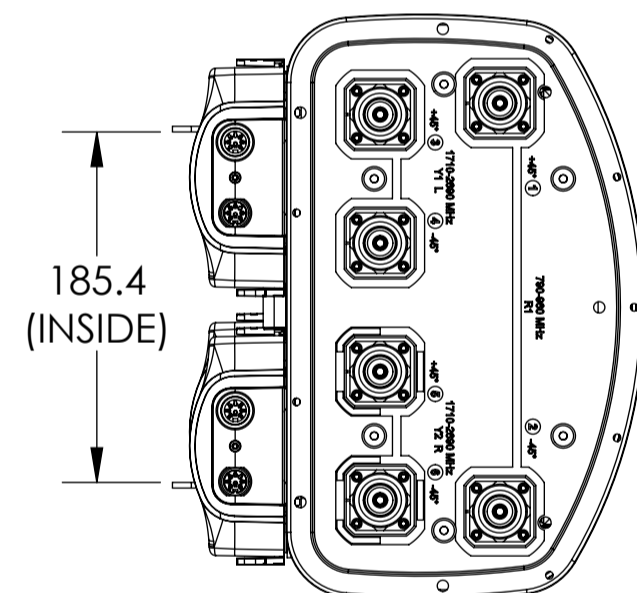
292.8

50.8

C



301



185.4 (INSIDE)

B

CVV65CSX-3X2
CVV65CSX-3X2.NM

A

A

8

7

6

THIRD ANGLE PROJECTION

3

2

1

8

7

6

5

4

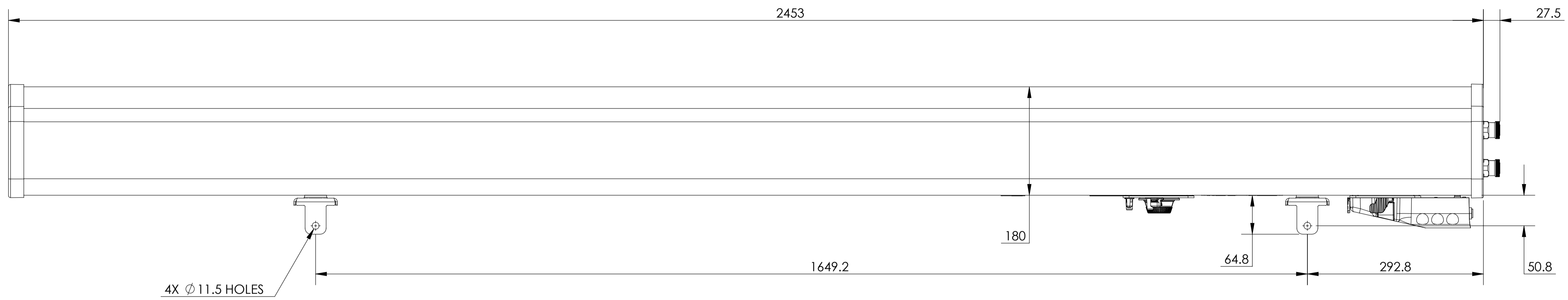
3

2

1

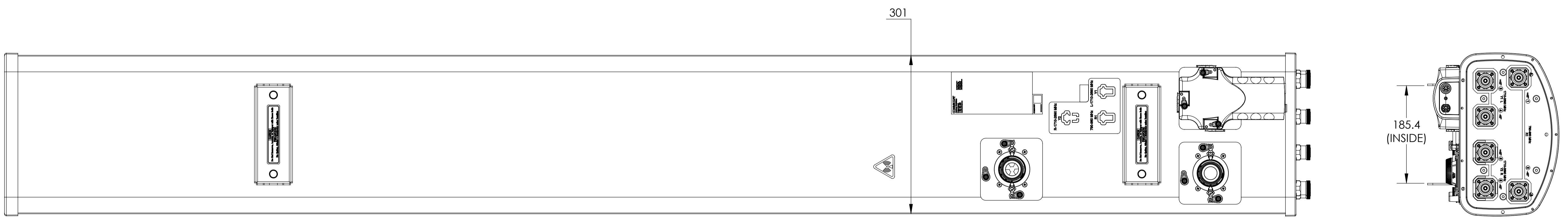
D

D



C

THIRD ANGLE PROJECTION



B

CVV65CSX-MM2

A

A

8

7

6

THIRD ANGLE PROJECTION

3

2

1