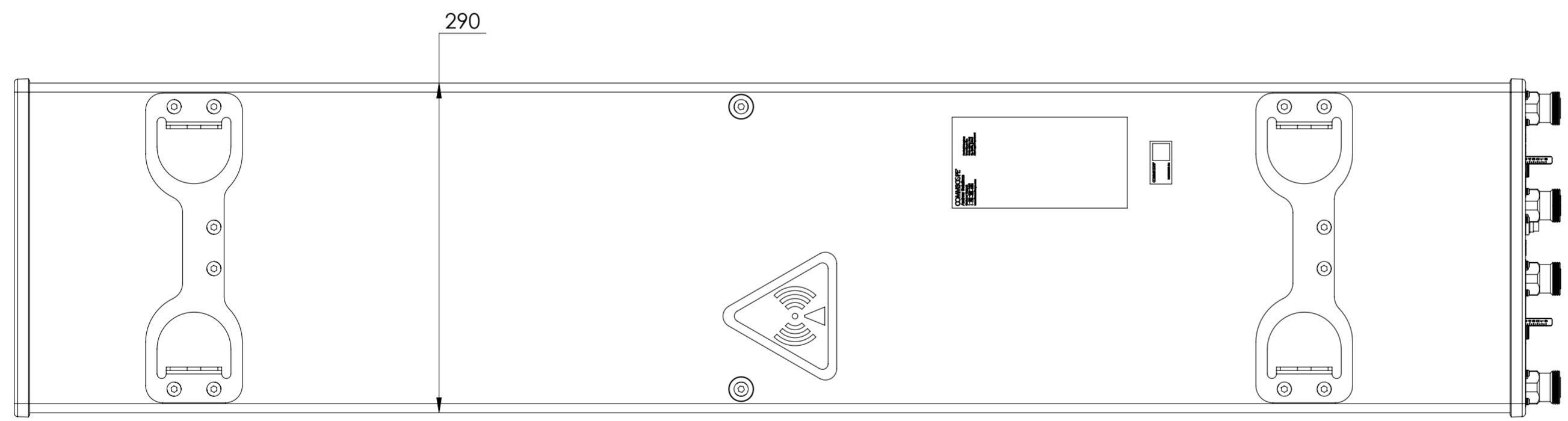
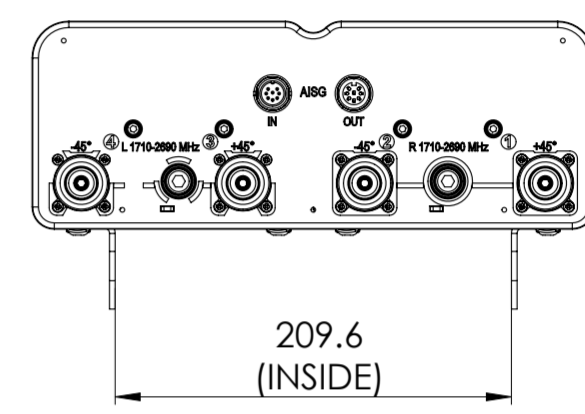
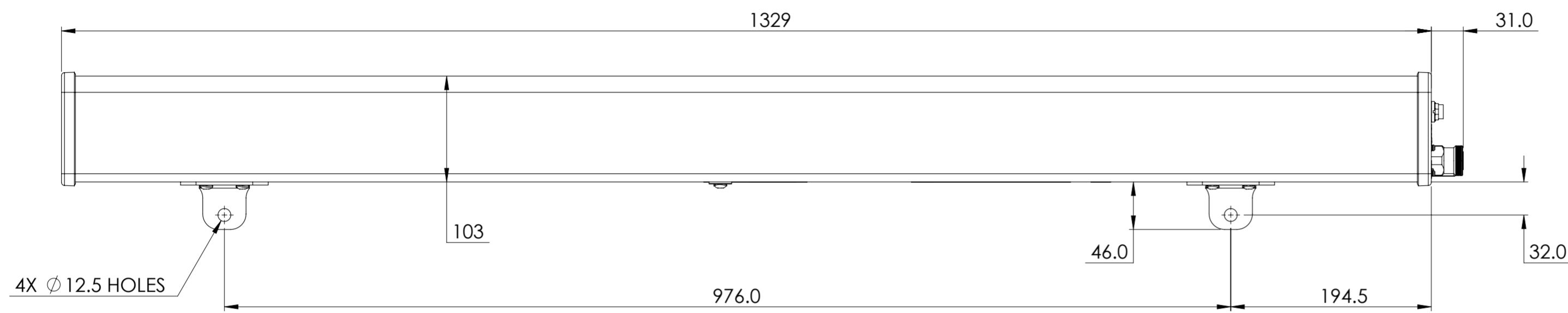


NOTES:

REVISION
A



VVPX310R-V5