

4

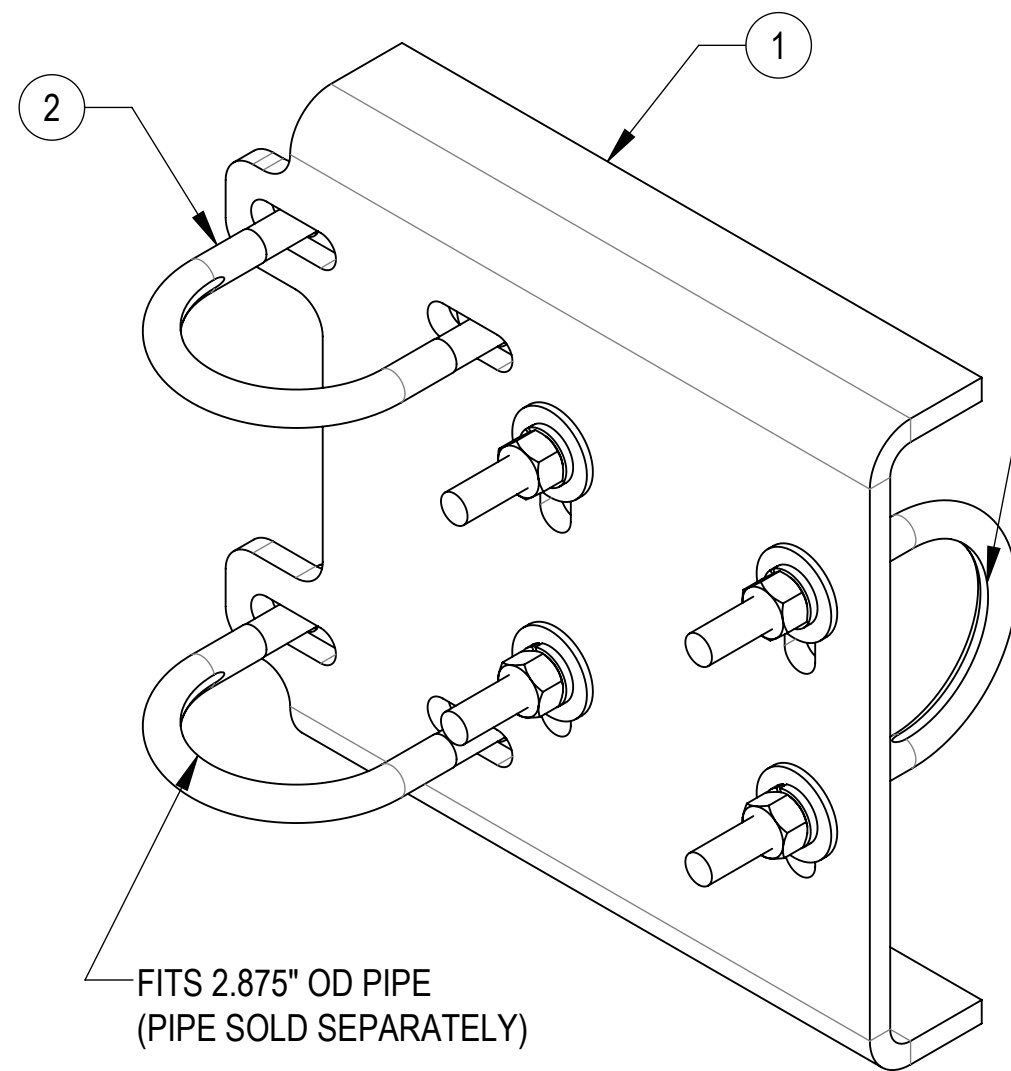
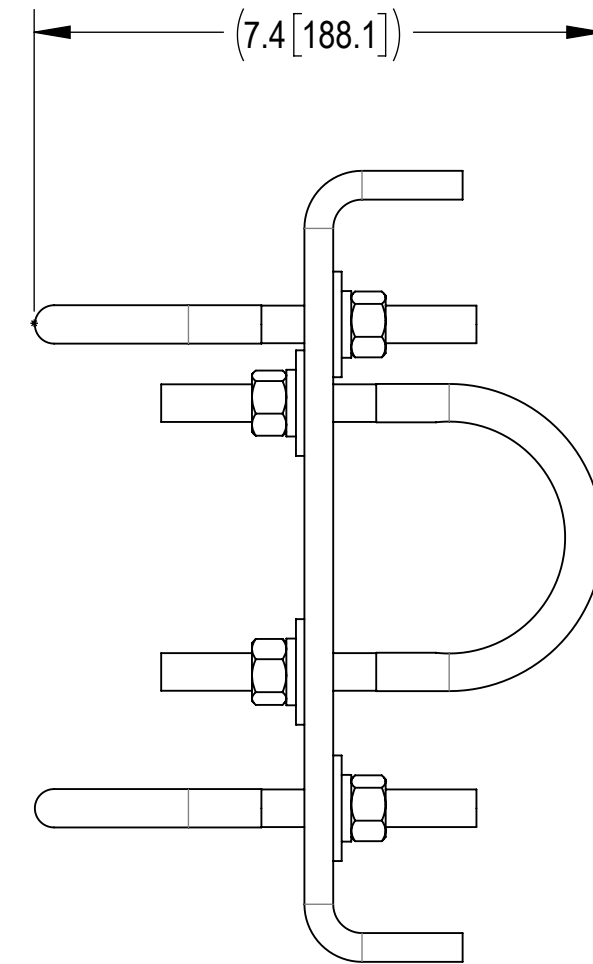
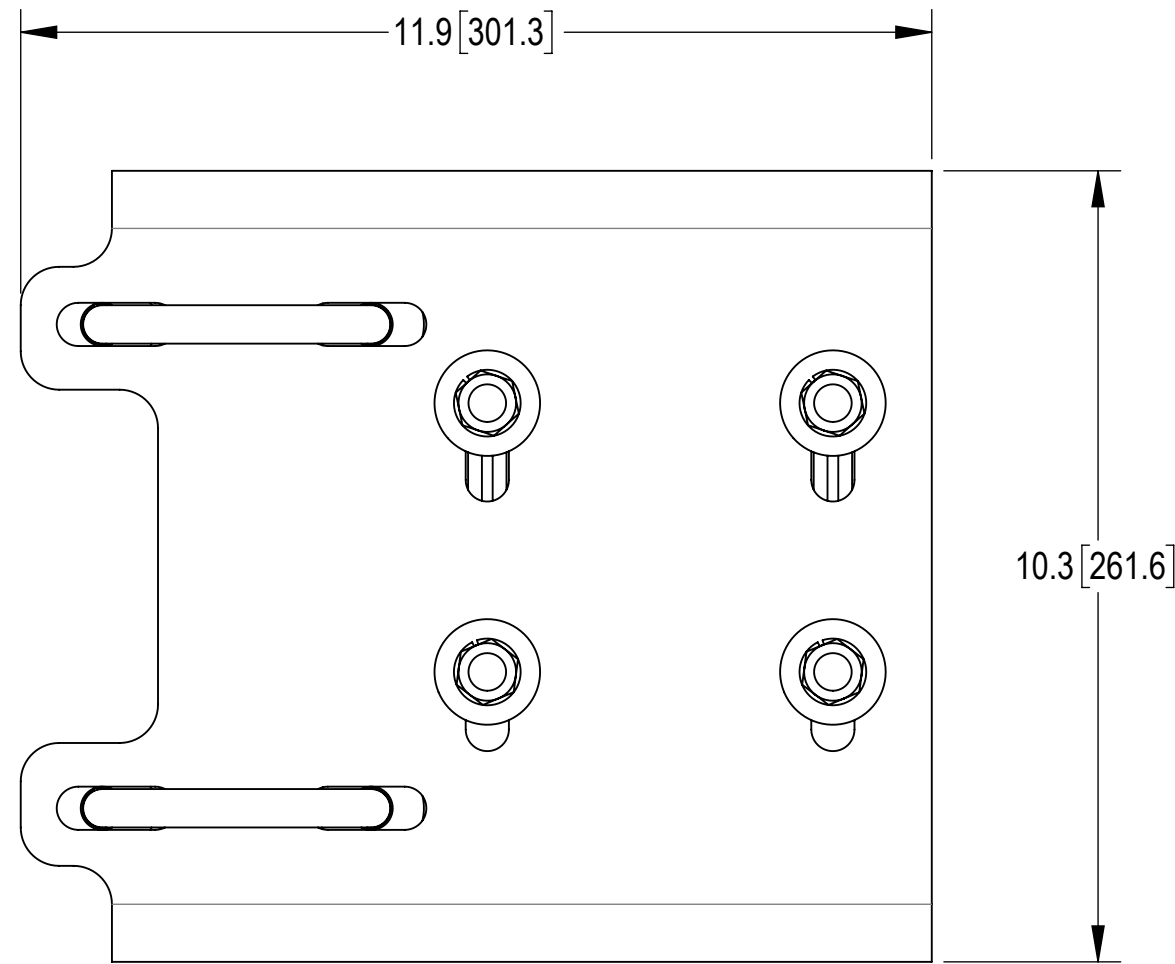
3

2

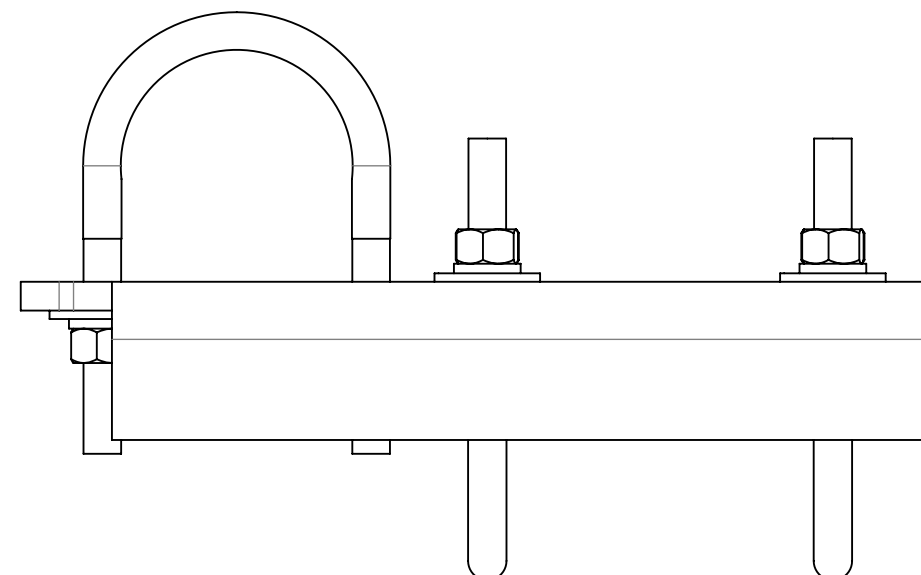
1

- 1.0 GENERAL NOTES
  - 1.1 ALL METRIC DIMENSIONS ARE IN BRACKETS [X.XX]
  - 1.2 FOR PATENT INFO: <https://www.cs-pat.com>
- 2.0 DESIGN NOTES
- 3.0 MANUFACTURING/SPECIAL REQUIREMENTS
  - 3.1 TIGHTEN ALL BOLTS SECURING FLAT PLATES BY THE TURN-OF-NUT METHOD. TIGHTEN ALL U-BOLTS USING TURN-OF-NUT METHOD WITH ATTENTION TO LEAVE EQUAL DISTANCE AND EQUAL FORCE ON EACH LEG OF THE U-BOLT.
- 4.0 TEST
- 5.0 PACKAGING
  - 5.1 PACKAGING SHALL MEET COMMSCOPE REQUIREMENTS PER DOCUMENT IS-PL-3005.

REVISIONS			
REV.	DESCRIPTION	DATE	APPROVED
A	INITIAL RELEASE	YMENG 10SEP24	CB1094 40204283CMO



FITS 2.875" OD PIPE  
(PIPE SOLD SEPARATELY)



<b>COMMSCOPE, INC. OF NORTH CAROLINA</b>			
TOLERANCES		SAP MATERIAL MASTER	
1 PLACE .X[X] ± 0.2[6.3]	3 PLACE .XXX[X] ± 0.060[1.5]	<b>XP-2525-OFF</b>	
2 PLACE .XX[X] ± 0.12[3.0]	ANGLES ± 2°		
FINISH		MATERIAL	
UNLESS OTHERWISE SPECIFIED DIMENSIONS ARE IN INCHES INTERPRET PER ANSI Y 14.5M-1994	NAME	DATE	TITLE
	CE YMENG	10SEP24	<b>OFFSET CO PLATE KIT, 2-7/8ODX2-7/8OD</b>
	RW YMENG	09/10/2024	
	AD JL1183	09/10/2024	
	RE YMENG	09/10/2024	
ECN 40204283CMO			
SCALE	DOCUMENT NO.		
<b>1:2</b>	<b>XP-2525-OFF</b>		
SIZE	Auth Group	INSL	MODEL
<b>C</b>		VERSION	STATUS
		01	RE
		REVISION	VERSION
		B	00
		DRAWING	STATUS
		REVISION	REVISION
		A	A
			SHEET
			1 OF 1

COMPONENT PART NUMBERS PROVIDED FOR ASSEMBLY PURPOSES;  
INDIVIDUAL COMPONENTS MAY BE SHIPPED AS PARTS WITHIN AN INCLUDED KIT.

ITEM	PART NO.	DESCRIPTION	QTY.	WEIGHT	NOTE NO.
1	XPU01-OFF-00	PLATE, CROSSOVER	1	14.30 LBS	
2	GUB-4352	1/2" X 3" X 5-1/4" GALV U-BOLT	4	0.71 LBS	

4

3

2

1