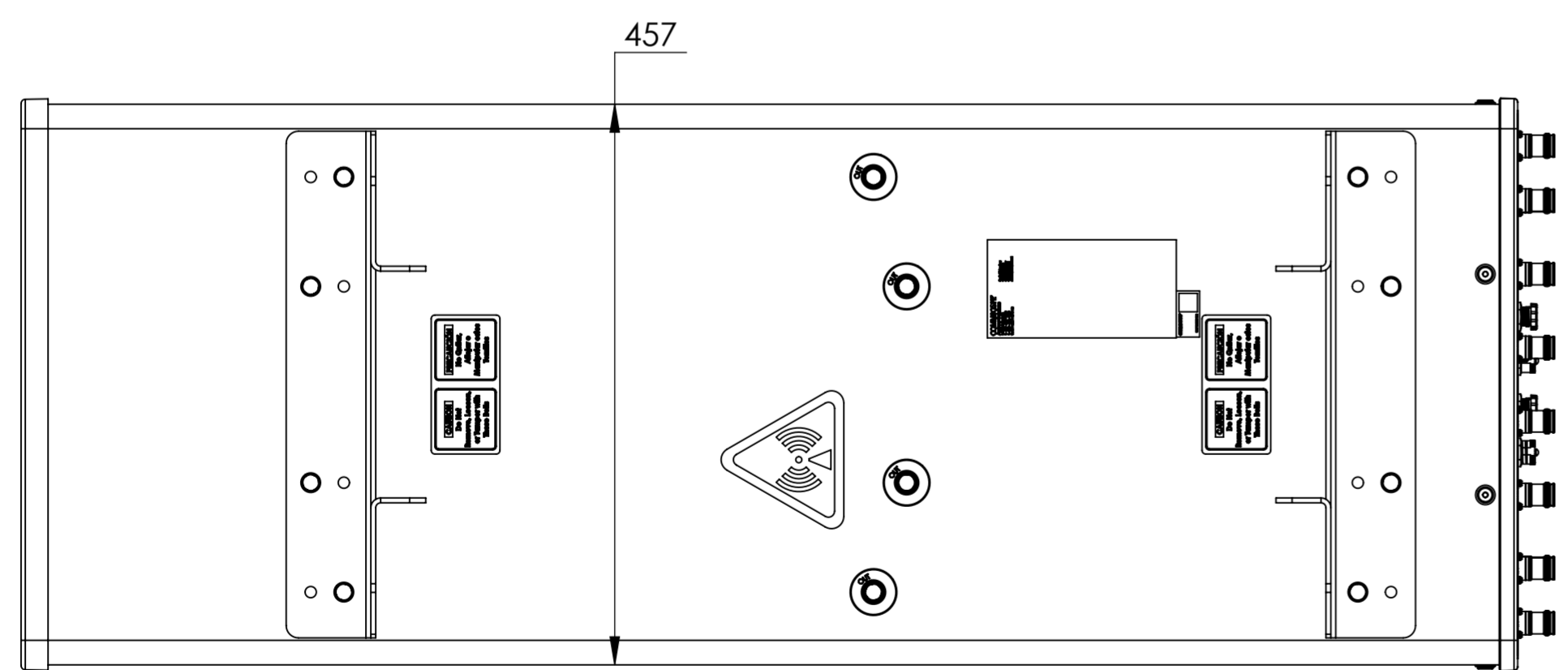
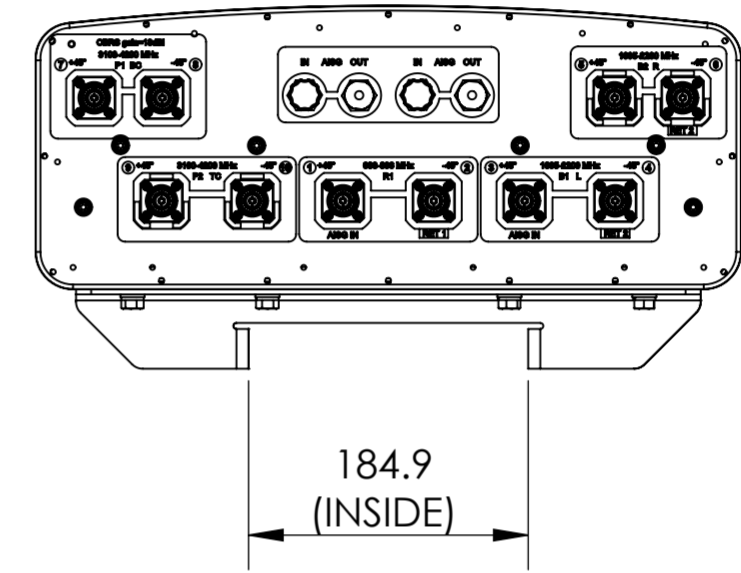
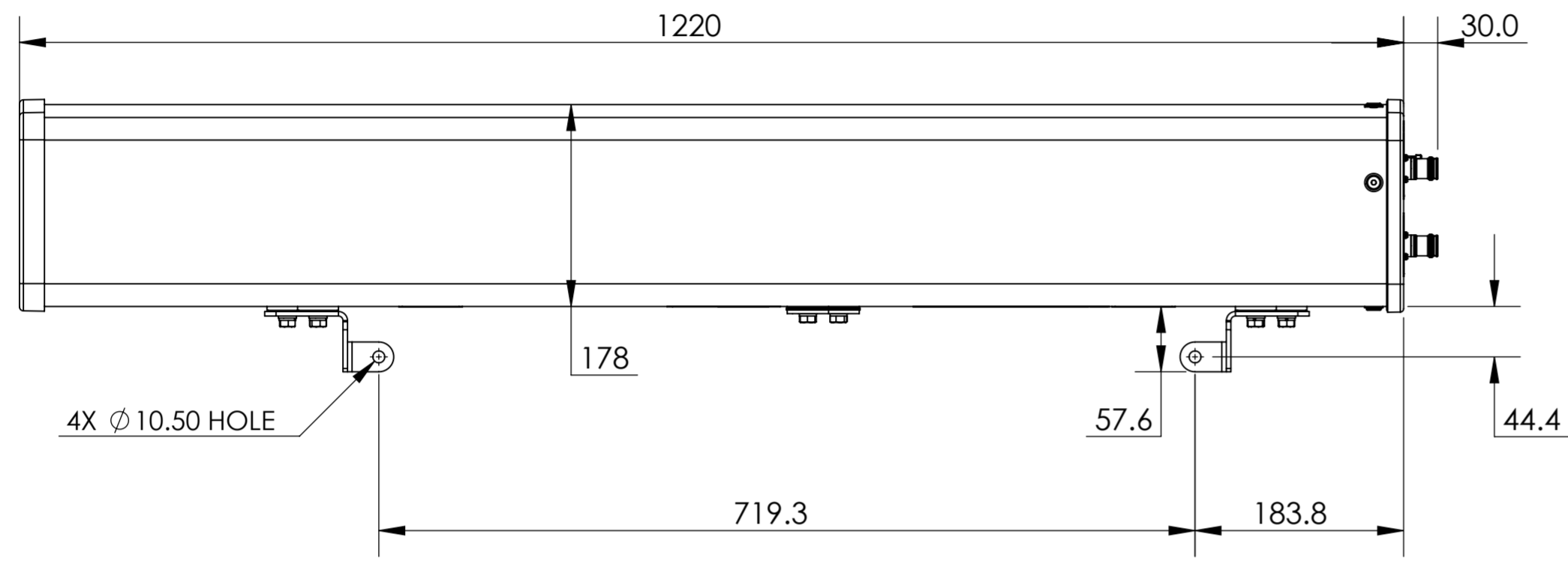


NOTES:

REVISION
A



NHHSS-45A-R2BT4