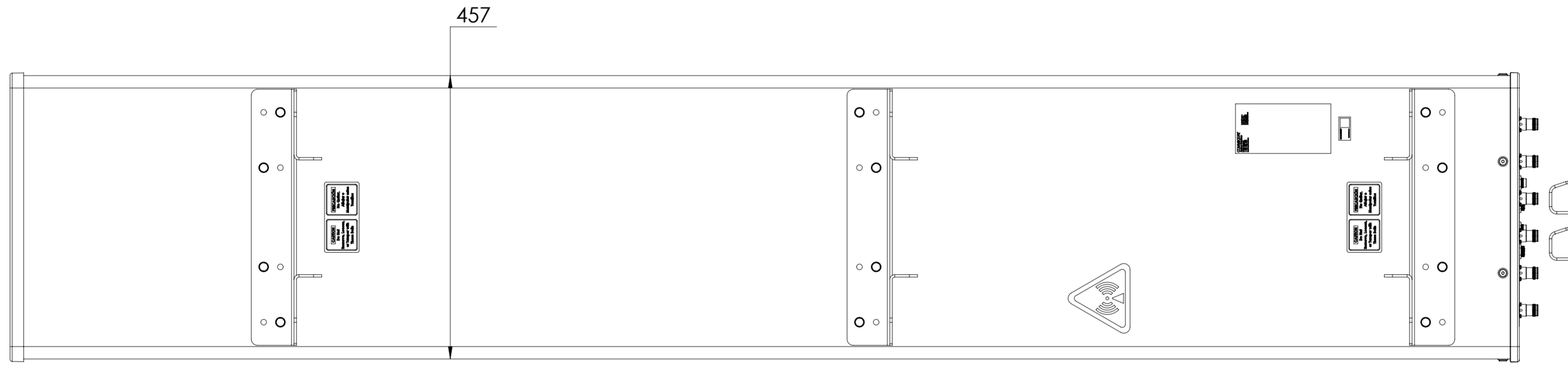
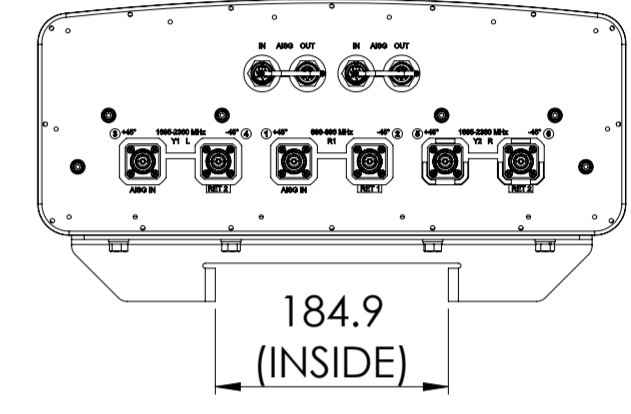
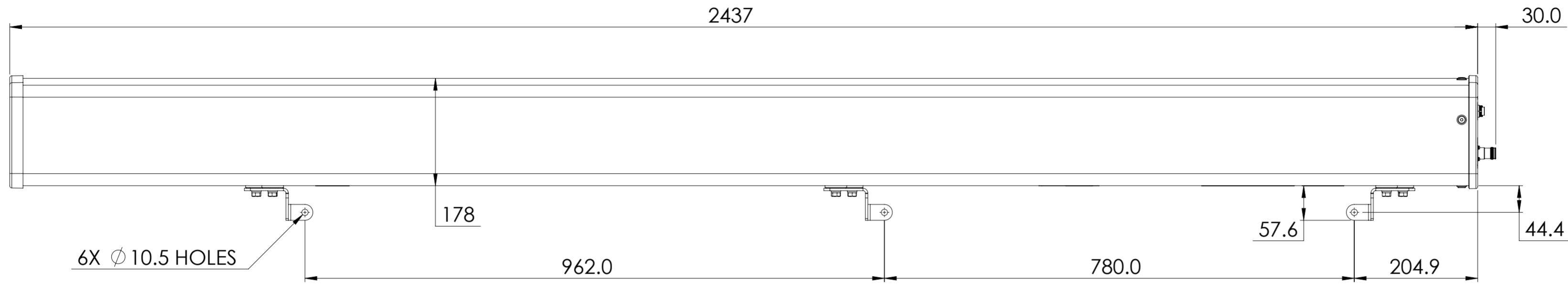


NOTES:

REVISION
B



NHH-45C-R2B