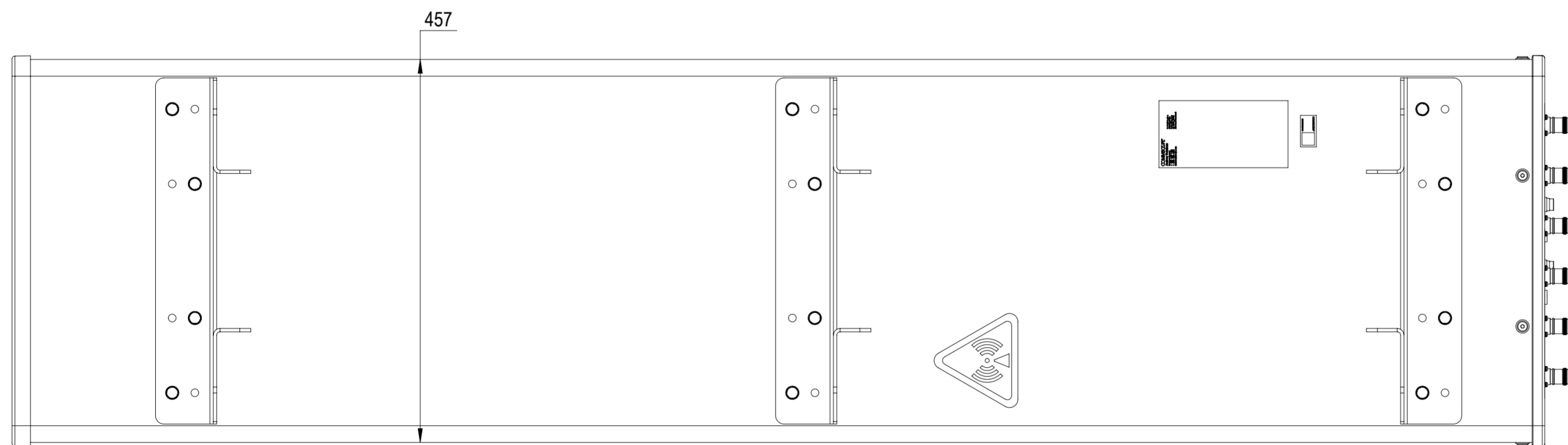
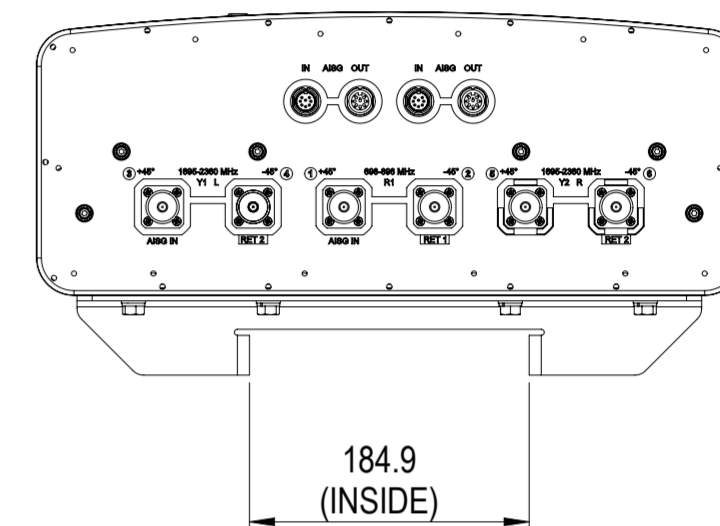
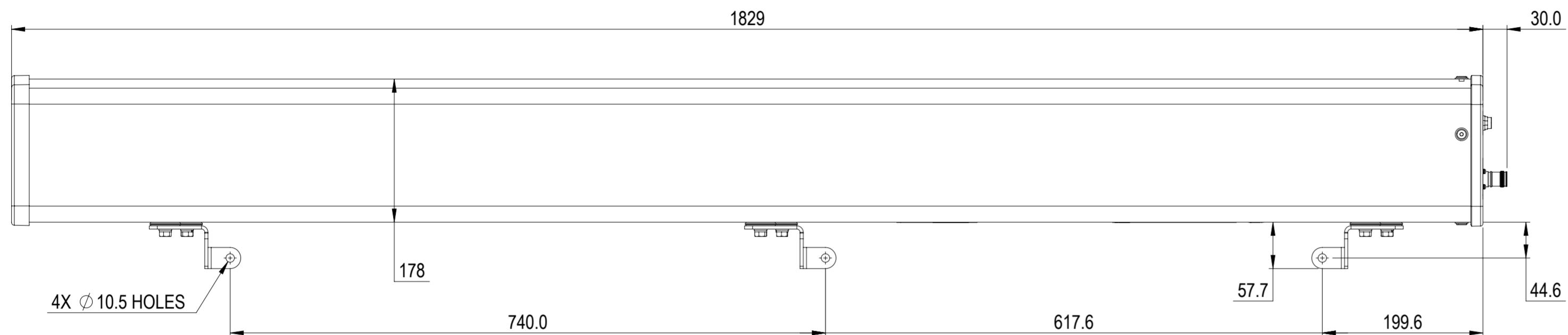


NOTES:

REVISION

A



NHH-45B-R2B