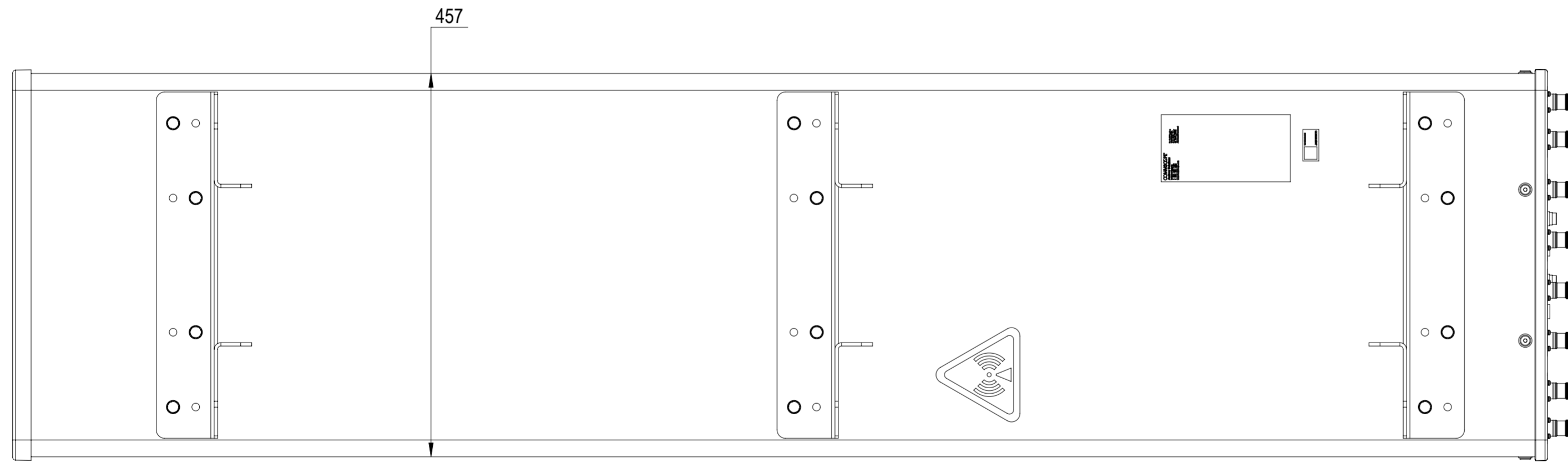
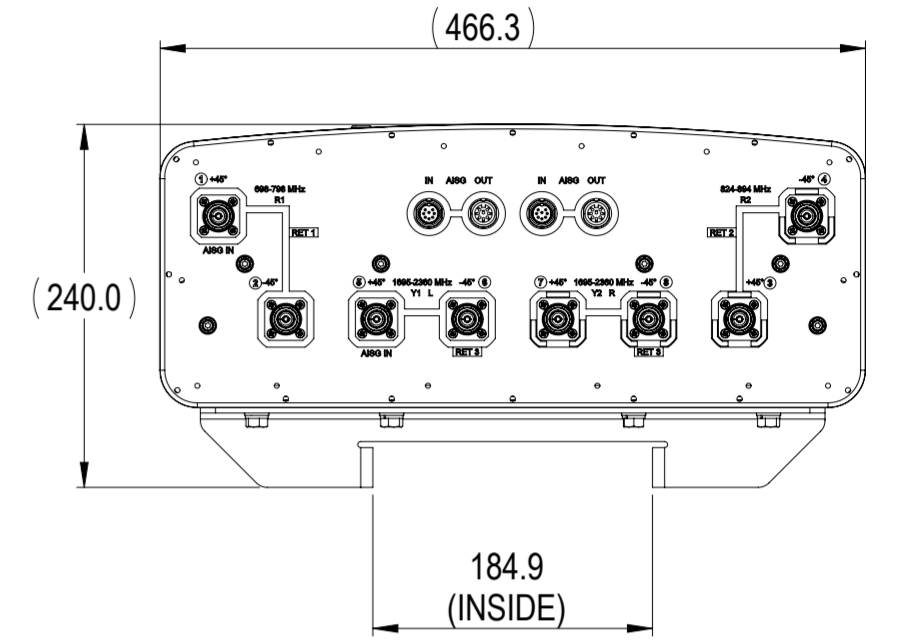
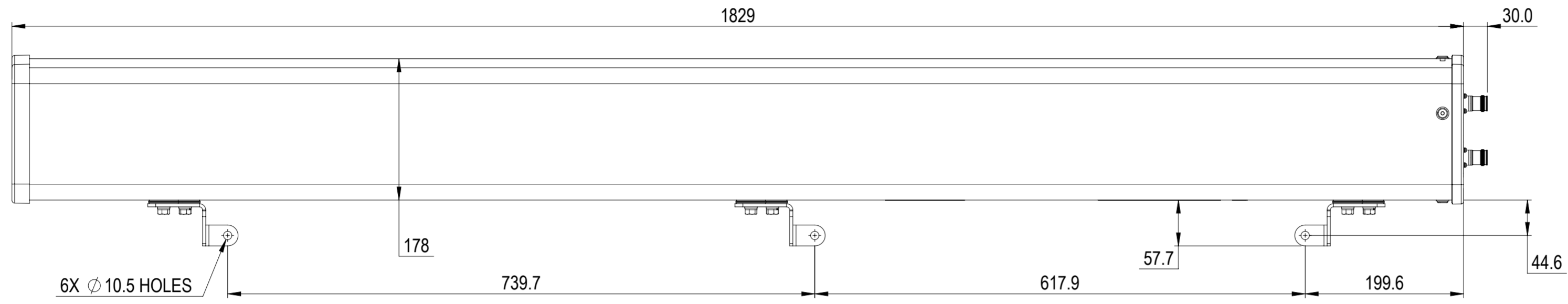


NOTES:

REVISION

B



JAHH-45B-R3B