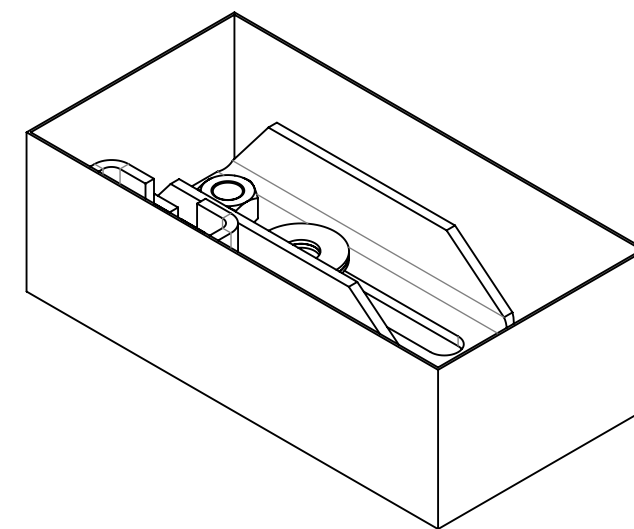
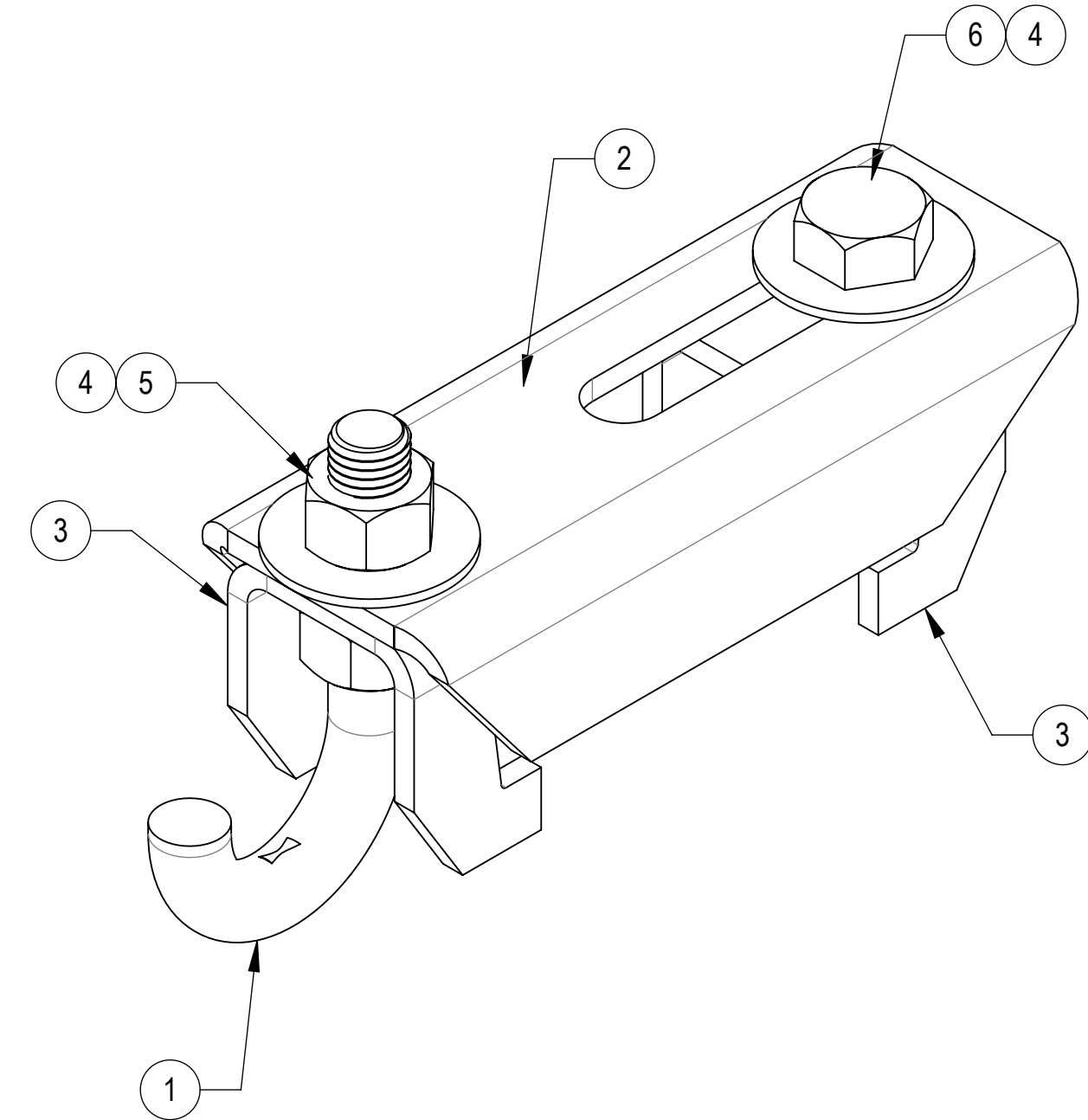
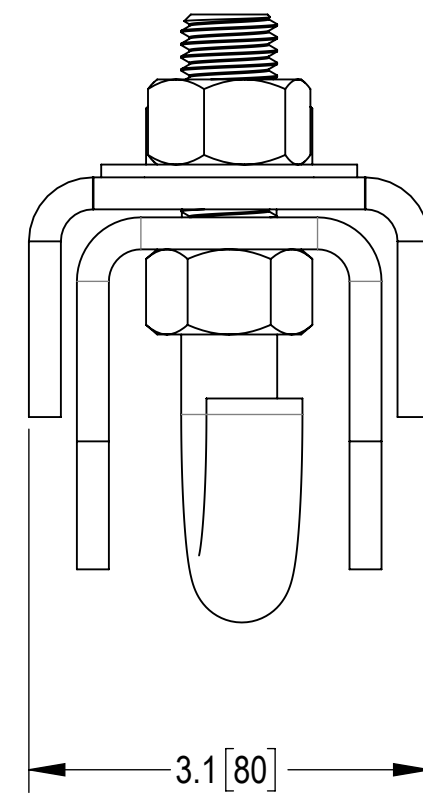
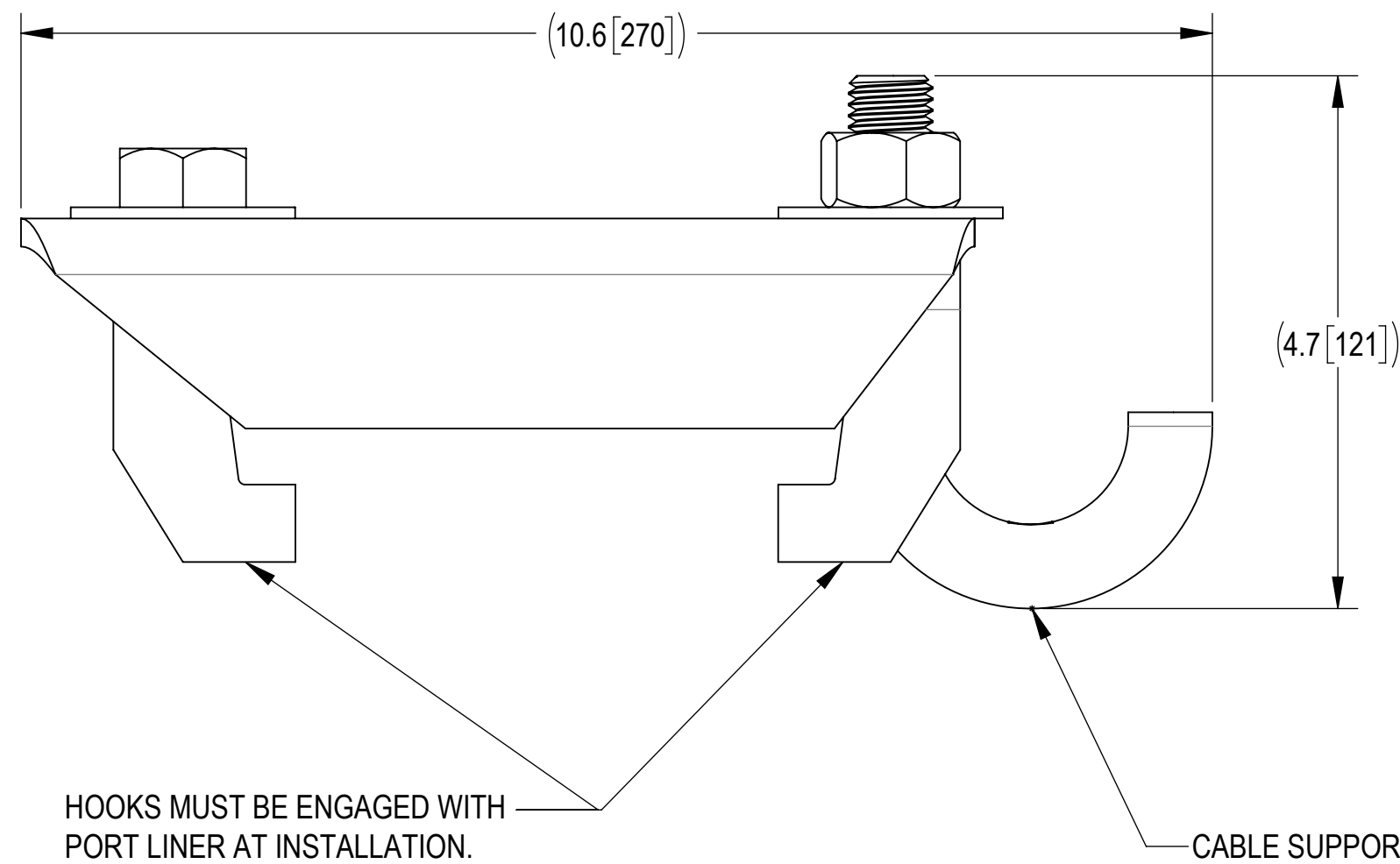


- 1.0 GENERAL NOTES  
 1.1 ALL METRIC DIMENSIONS ARE IN BRACKETS [X. X]  
 1.2 FOR PATENT INFO: <https://www.cs-pat.com>  
 1.3 COMPONENTS SHOWN AS INSTALLED  
 1.4 SEE SHEET 2 FOR ASSEMBLY INSTRUCTIONS  
 2.0 DESIGN NOTES  
 3.0 MANUFACTURING/SPECIAL REQUIREMENTS  
 3.1 TIGHTEN ALL HARDWARE AS INDICATED ON SHEET 2  
 4.0 TEST  
 5.0 PACKAGING  
 5.1 PACKAGING SHALL MEET COMMSCOPE REQUIREMENTS PER DOCUMENT IS-PL-3005  
 5.2 PRINTED DOCUMENT TO BE PLACED INSIDE POLYBAG AND THEN IN SHIPPING CONTAINER  
 5.3 EXTRA HARDWARE MAY BE SUPPLIED, BAGGED AND SHIPPED

REVISIONS			
REV.	DESCRIPTION	DATE	APPROVED
A	INITIAL RELEASE	RY1002 19AUG24	AG1119 40202603CMO



PACKAGE

- NOTES: - MAXIMUM LOAD CAPACITY 1600 LBS  
 - THIS ASSEMBLY FOR USE ON WELDED MONOPOLE PORTS  
 - USE FOR CABLE SUPPORT ONLY  
 - DO NOT USE FOR HOISTING  
 - HOOKS MUST BE FULLY ENGAGED WITH MONOPOLE PORT LINER  
 - INSTALLATION TO BE INSPECTED BY A COMPETENT PERSON

COMPONENT PART NUMBERS PROVIDED FOR ASSEMBLY PURPOSES;  
 INDIVIDUAL COMPONENTS MAY BE SHIPPED AS PARTS WITHIN AN INCLUDED KIT.

ITEM	PART NO.	DESCRIPTION	QTY.	WEIGHT	NOTE NO.
1	MTC4168-2010	J-HOOK, GRIP ANCHOR	1	0.84 LBS	
2	MTC4168-2020-00	HOOK SUPPORT	1	2.95 LBS	
3	MTC4168-2030-00	J-HOOK RETAINER	2	0.99 LBS	
4	GW-06	3/4" GALV FLAT WASHER	2	0.07 LBS	
5	GN-06	3/4" GALV HEX NUT	1	0.15 LBS	
6	GB-06165	3/4" X 1-3/4" GALV BOLT KIT	1	0.33 LBS	

DENSITY		lbs/in <sup>3</sup>
MASS	27.48	lbs
VOLUME	97.53	in <sup>3</sup>
SURFACE AREA	546.21	in <sup>2</sup>
HEIGHT	4.7"	
LENGTH	10.6"	
WIDTH	3.1"	

COMMSCOPE, INC. OF NORTH CAROLINA									
TOLERANCES					SAP MATERIAL MASTER				
1 PLACE .X[X] ± 0.2[6.3]			3 PLACE .XXX[X] ± 0.060[1.5]		MPH-001				
2 PLACE .XX[X] ± 0.12[3.0]			ANGLES ± 2°						
FINISH					MATERIAL				
UNLESS OTHERWISE SPECIFIED DIMENSIONS ARE IN INCHES INTERPRET PER ANSI Y 14.5M-1994									
	NAME	DATE	TITLE						
CE	RY1002	19AUG24	GRIP ANCHOR MONOPOLE-PORT 001						
RW	RY1002	08/20/2024							
AD	AG1119	08/22/2024							
RE	AG1119	08/22/2024							
ECN 40202603CMO			SCALE	DOCUMENT NO.					
			2:3	MPH-001					
SIZE	Auth Group	INSL	MODEL			DRAWING			
C			VERSION	STATUS	REVISION	VERSION	STATUS	REVISION	SHEET
			02	RE	A	00	RE	A	1 OF 2

**BOTTOM MOUNTED ASSEMBLY**

**TOP MOUNTED ASSEMBLY**

HAND HOLE LINER  
(FITS 2.25" TO 5.25" DEPTH, THICKNESS TO 1/2")  
(PART OF POLE)

8. VERIFY ASSEMBLY IS TIGHT & HOOKS ARE FULLY ENGAGED, THEN TIGHTEN FRONT NUT AND REAR BOLT 1/4 TO 1/2 TURN

1. LOOSEN NUT, ITEM 5, TO ALLOW RETAINER HOOKS TO SLIDE BELOW LIP

7. FINGER TIGHTEN BOLT

2. TURN HOOK UNTIL NUT IS WITHIN ONE TURN OF BOTTOM OF THREAD

6. INSTALL BACK RETAINER AND ENSURE RETAINER HOOKS FULLY TO BOTTOM LIP ON BOTH SIDES

6. INSTALL BACK RETAINER AND ENSURE RETAINER HOOKS FULLY TO LIP ON BOTH LEFT & RIGHT SIDES

7. FINGER TIGHTEN BOLT ON OPPOSITE SIDE

3. INSTALL FRONT RETAINER, ITEM 3, WITH HARDWARE INCLUDED, BELOW LIP OF HAND HOLE LINER

5. FINGER TIGHTEN NUT

8. VERIFY ASSEMBLY IS TIGHT & HOOKS ARE FULLY ENGAGED, THEN TIGHTEN FRONT NUT AND REAR BOLT 1/4 TO 1/2 TURN


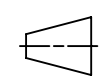
4. ENSURE RETAINER HOOKS FULLY TO BOTTOM OF LIP ON BOTH SIDES

1. REMOVE NUT, ITEM 5, IF REQUIRED, AND HOOK  
2. INSTALL NUT & WASHER ON HOOK AS SHOWN UNTIL NUT IS WITHIN ONE TURN OF BOTTOM OF THREAD. INSTALL WASHER

4. INSTALL AND ENSURE RETAINER HOOKS ARE FULLY ENGAGED WITH LIP

3. INSTALL RETAINER WITH NUT. UNTIL HOOK TOP HAS 2 THREADS MIN SHOWING ABOVE RETAINER NUT

5. FINGER TIGHTEN NUT

COMMSCOPE, INC. OF NORTH CAROLINA				
TITLE GRIP ANCHOR MONOPOLE-PORT 001				
SIZE <b>C</b>	SCALE <b>3:5</b>	DOCUMENT NO. MPH-001		
 		DRAWING		SHEET 2 OF 2
		VERSION 00	STATUS RE	