

4

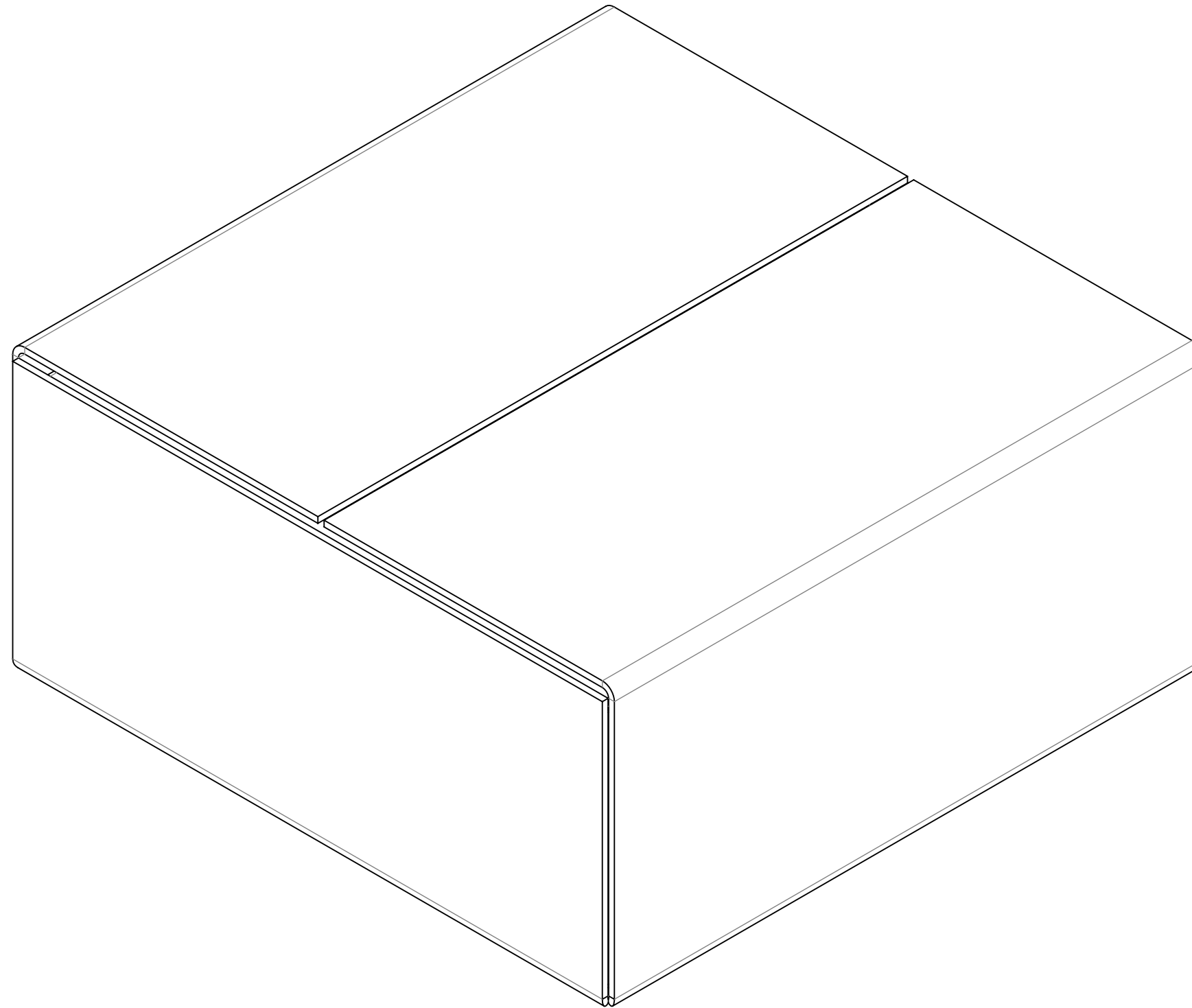
3

2

1

- 1.0 GENERAL NOTES
  - 1.1 ALL METRIC DIMENSIONS ARE IN BRACKETS [X. X]
  - 1.2 FOR PATENT INFO: <https://www.cs-pat.com>
- 2.0 DESIGN NOTES
- 3.0 MANUFACTURING/SPECIAL REQUIREMENTS
  - 3.1 TIGHTEN ALL BOLTS SECURING FLAT PLATES BY THE TURN-OF-NUT METHOD. TIGHTEN ALL U-BOLTS USING TURN-OF-NUT METHOD WITH ATTENTION TO LEAVE EQUAL DISTANCE AND EQUAL FORCE ON EACH LEG OF THE U-BOLT.
- 4.0 TEST
- 5.0 PACKAGING
  - 5.1 PACKAGING SHALL MEET COMMSCOPE REQUIREMENTS PER DOCUMENT IS-PL-3005
  - 5.2 PRINTED DOCUMENT TO BE PLACED INSIDE POLYBAG AND THEN IN SHIPPING CONTAINER
  - 5.3 EXTRA HARDWARE MAY BE SUPPLIED, BAGGED AND SHIPPED
  - 5.4 PLACE LOOSE HARDWARE IN POLYBAGS AS REQUIRED.

REVISIONS			
REV.	DESCRIPTION	DATE	APPROVED
A	INITIAL RELEASE	MSM 25SEP14	8000005324
B	UPDATE MATERIAL CALL-OUT	MSM 24FEB15	8000007075
C	REDRAWN IN SW	YX1027 07AUG24	YC1015 40201892CMO



### PACKAGING

## COMMSCOPE, INC. OF NORTH CAROLINA

TOLERANCES		SAP MATERIAL MASTER	
1 PLACE .X[X] ± 0.2[6.3]	3 PLACE .XXX[X] ± 0.060[1.5]	FE-18188	
2 PLACE .XX[X] ± 0.12[3.0]	ANGLES ± 2°		
FINISH		MATERIAL	
UNLESS OTHERWISE SPECIFIED DIMENSIONS ARE IN INCHES INTERPRET PER ANSI Y 14.5M-1994	NAME	DATE	TITLE
	CE MSM	25SEP14	FIBER BOX 18X18X8
	RW YMENG	08/09/2024	
	AD YC1015	08/12/2024	SCALE
	RE YMENG	08/12/2024	DOCUMENT NO.
ECN 40201892CMO		FE-18188	
SIZE	Auth Group	INSL	MODEL
C			
VERSION	STATUS	REVISION	DRAWING
00	RE	A	VERSION STATUS REVISION
			00 RE C
			SHEET
			1 OF 2

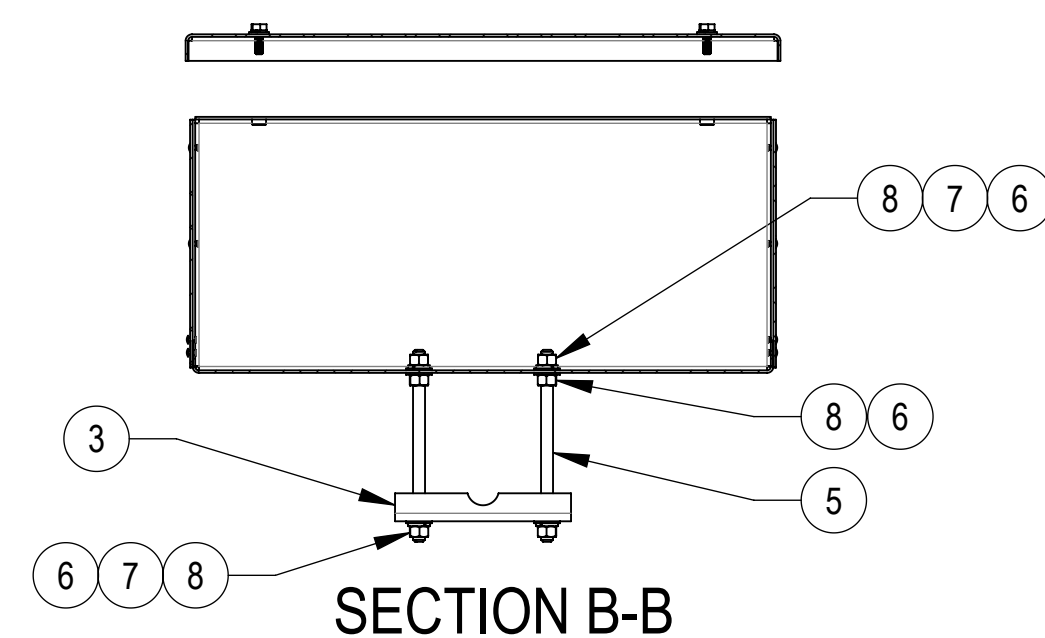
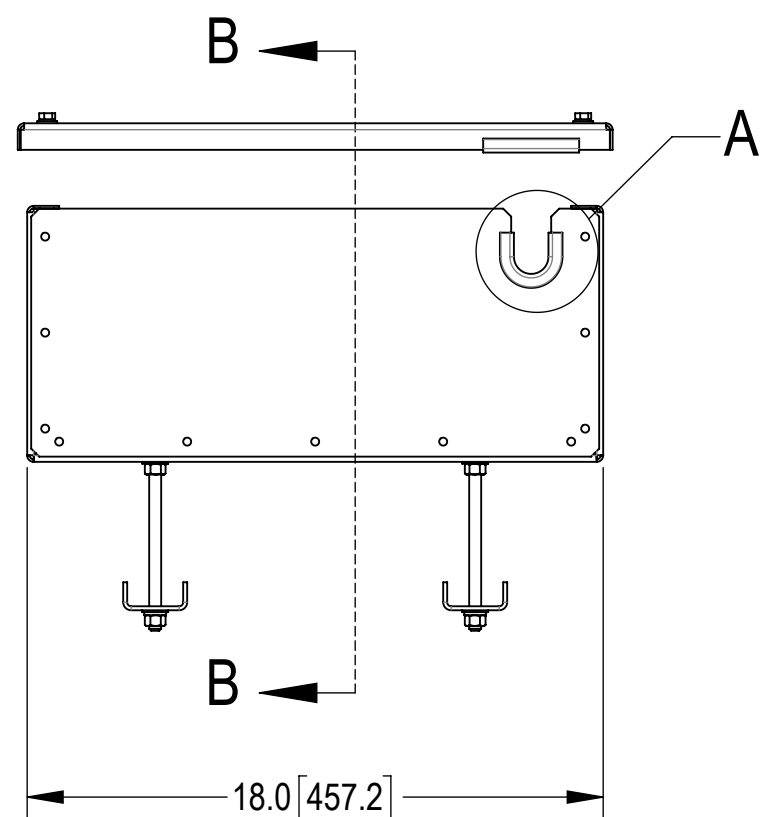
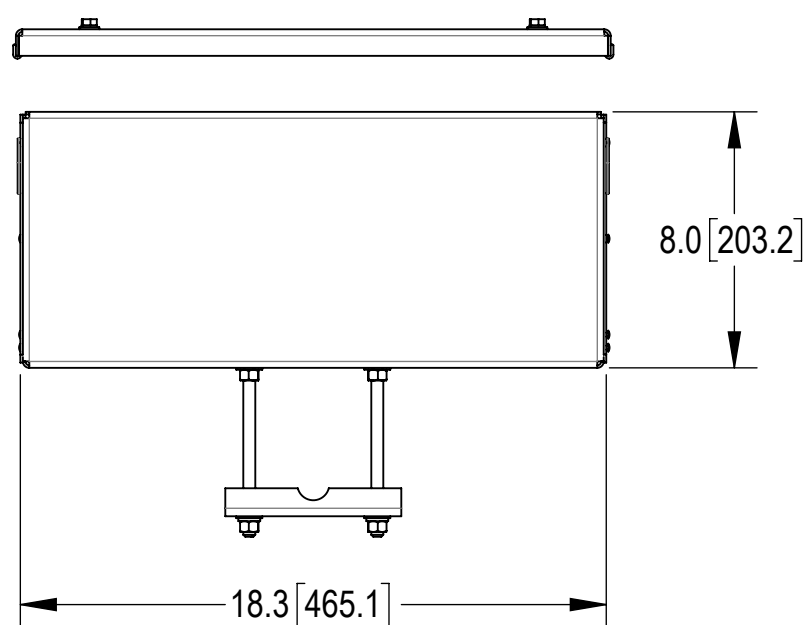
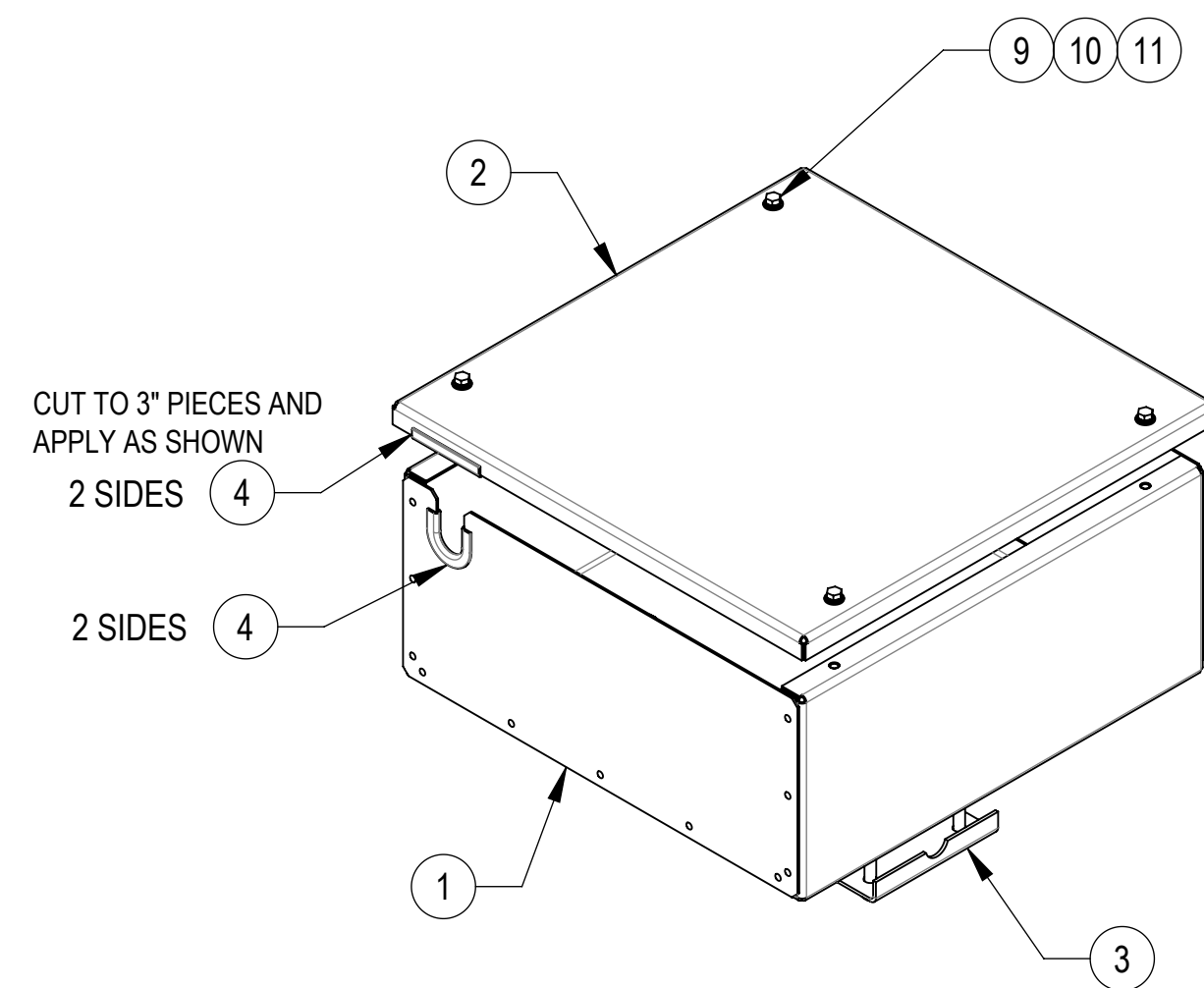
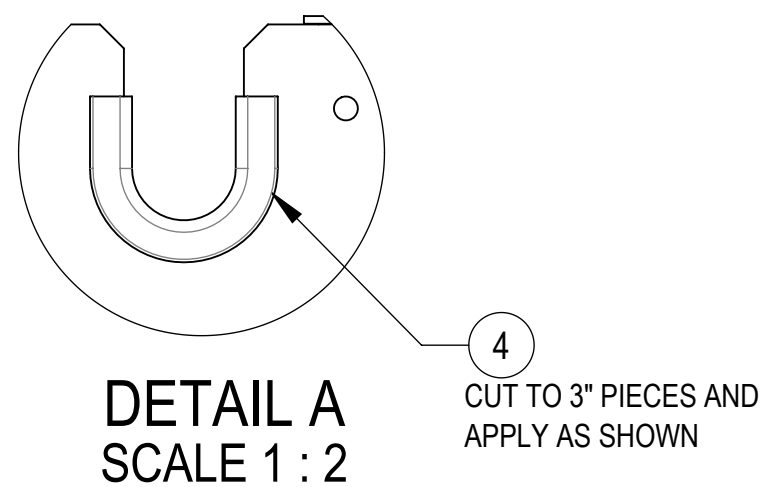
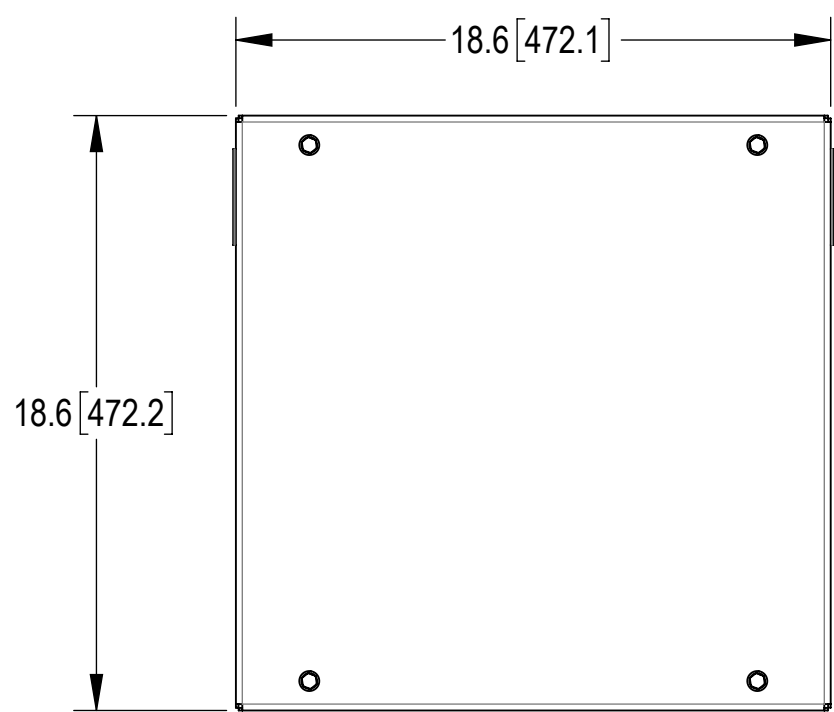
DENSITY		lbs/in³
MASS	13.61	lbs
VOLUME	375.68	in³
SURFACE AREA	5707.35	in²
HEIGHT	13.67"	
LENGTH	18.59"	
WIDTH	18.76"	

4

3

2

1



COMPONENT PART NUMBERS PROVIDED FOR ASSEMBLY PURPOSES;  
INDIVIDUAL COMPONENTS MAY BE SHIPPED AS PARTS WITHIN AN INCLUDED KIT.

ITEM NO.	PART NUMBER	DESCRIPTION	QTY.	WEIGHT	NOTE NO.
1	FE1818801	18X18X8 FIBER BOX ASSEMBLY	1	7.49 LBS	
2	FE1818802	FIBER BOX COVER, GRAY	1	3.06 LBS	
3	FE1818803	FIBER BOX BACK CLAMP GRAY	2	0.21 LBS	5.4
4	FE1818804	ANTI-ABRASION GASKET	1	0.01 LBS	5.4
5	MT-371	3/8" X 6" SS THREADED ROD	4	0.19 LBS	5.4
6	SWF-03	3/8" SS FLAT WASHER	12	0.01 LBS	5.4
7	SWL-03	3/8" SS LOCK WASHER	8	0.01 LBS	5.4
8	SN-03	3/8" SS NUT	12	0.02 LBS	5.4
9	SB-0206	BOLT, 1/4 X 3/4 SS BOLT TYPE 18-8	4	0.00 LBS	5.4
10	SWL-02	LOCK WASHER, 1/4" SS (EA)	4	0.01 LBS	5.4
11	SWF-02	FLAT WASHER, 1/4" SS	4	0.00 LBS	5.4
12	EPKH04	ENTRY PORT HDWR KIT	1	-	USE FOR WALL MOUNTING, NOT SHOWN

COMMSCOPE, INC. OF NORTH CAROLINA				
TITLE FIBER BOX 18X18X8				
SIZE C	SCALE 1:4	DOCUMENT NO. FE-18188		
DRAWING		VERSION	STATUS	REVISION
		00	RE	C
				SHEET 2 OF 2