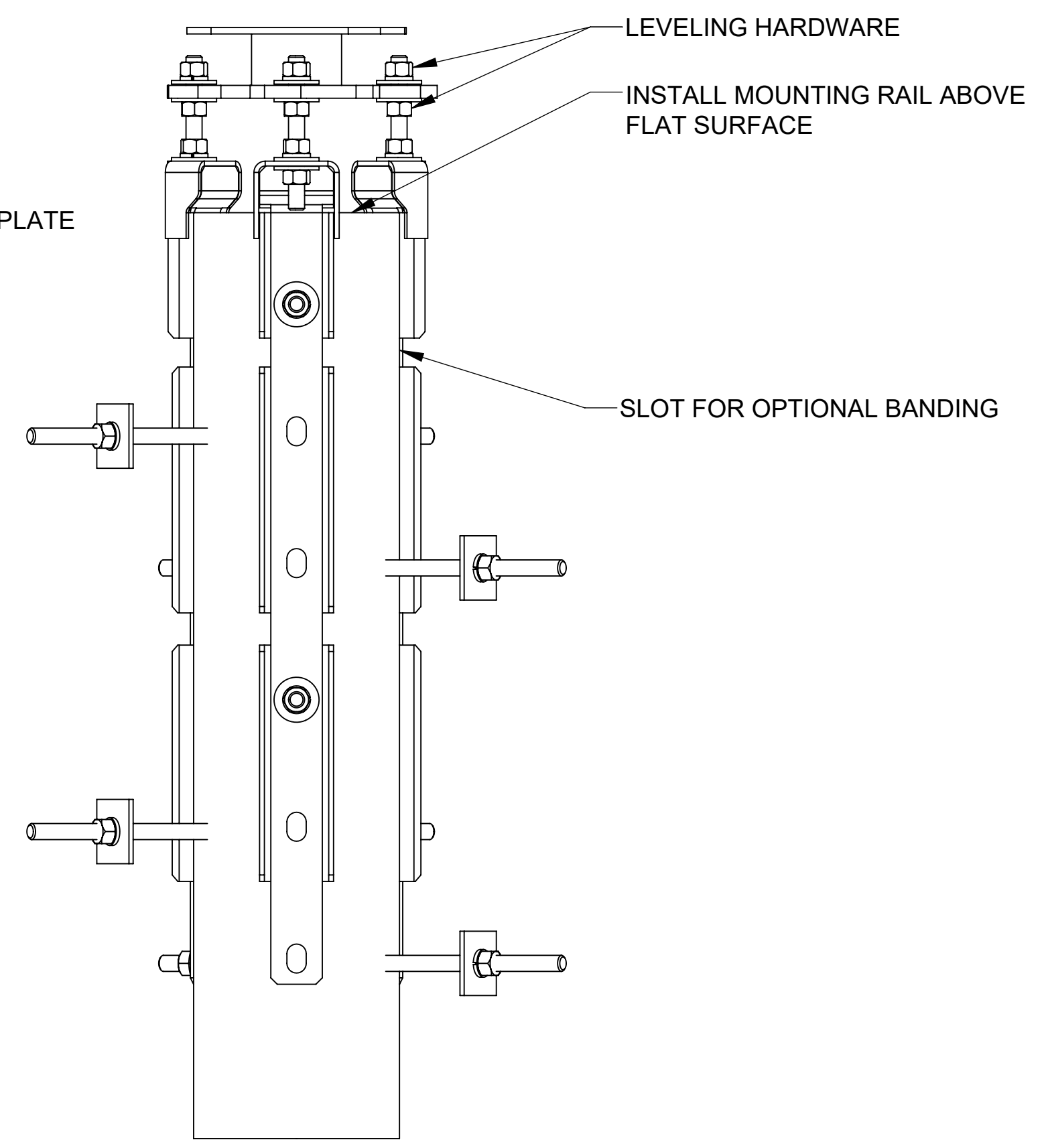
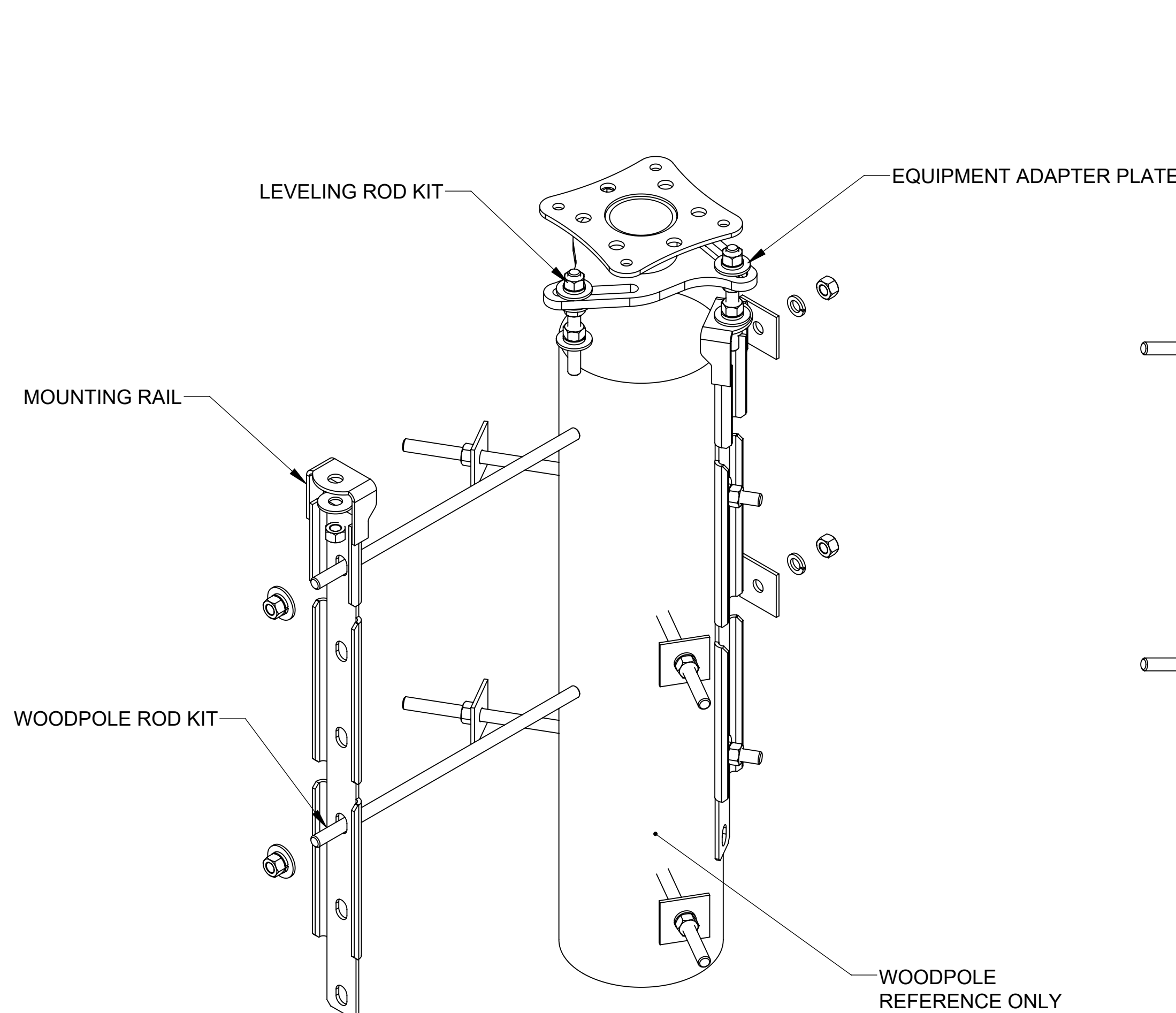


RAIL & ADAPTER PLATE INSTALL

REVISIONS				
REV.	ECN	DESCRIPTION	BY	DATE
A	8000038925	INITIAL RELEASE	GR1010	01/30/2020



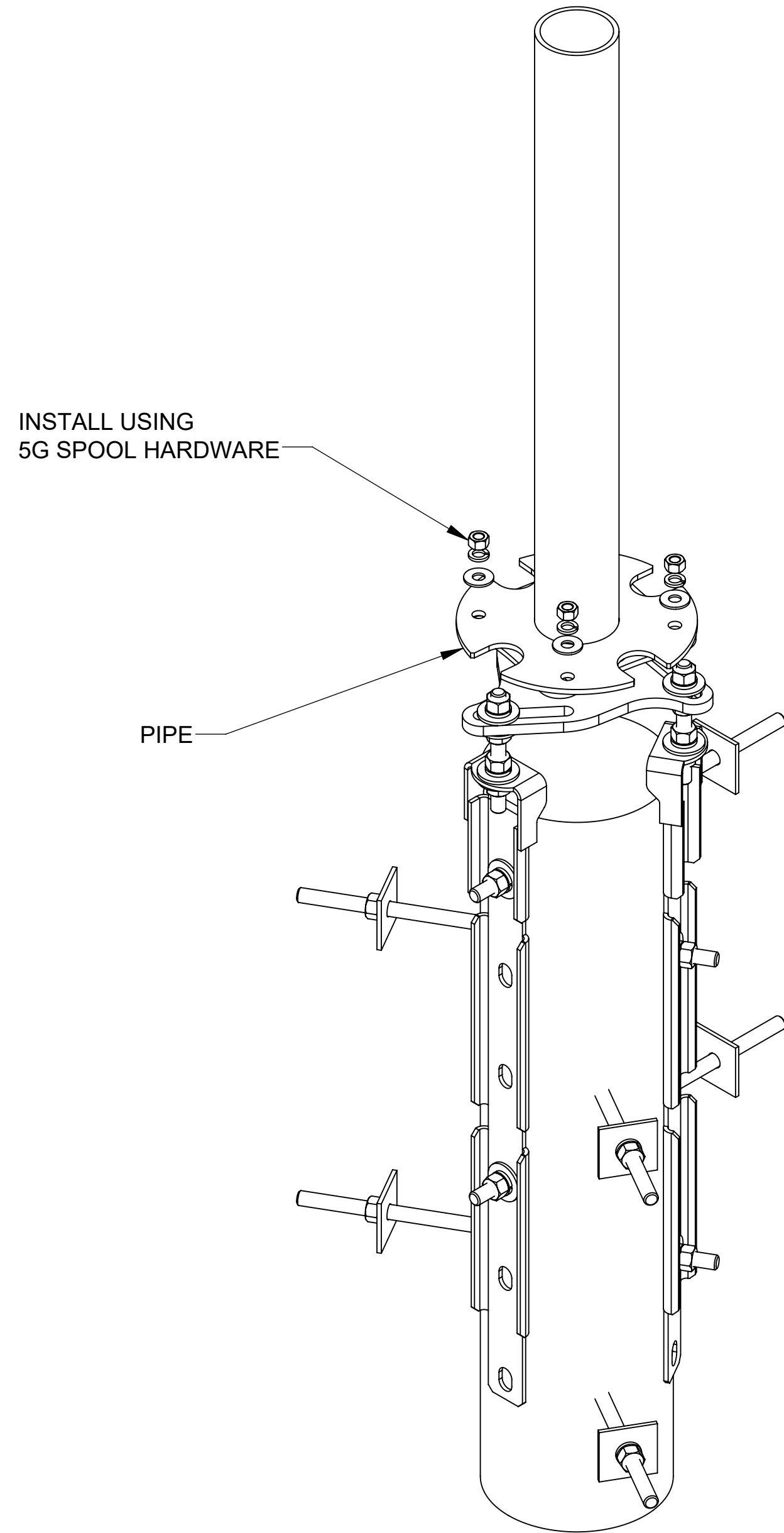
1. INSTALL MOUNTING RAILS 120° APART
2. CUT WOODPOLE RODS TO LENGTH
3. INSTALL LEVELING ROD KIT
4. INSTALL ADAPTER PLATE AND LEVEL FOR EQUIPMENT

COMMSCOPE, INC. OF NORTH CAROLINA										
TOLERANCES					SAP MATERIAL MASTER					
1 PLACE .X ±		3 PLACE .XXX ±			860636779-INSTALL					
2 PLACE .XX ±		ANGLES ±								
FINISH N/A					MATERIAL N/A					
UNLESS OTHERWISE SPECIFIED DIMENSIONS ARE IN INCHES INTERPRET PER ANSI Y 14.5M-1994	CE	GR1010	01/30/2020	INSTALLATION INSTRUCTIONS FOR 860636779						
	RW	GR1010	02/24/2020							
	RV									
	AD	JP1130	02/25/2020							
	RE	GR1010	03/02/2020							
ECN 008000038925				SCALE 1:5	DOCUMENT NO. 860636779-INSTALL					
SIZE	WORK AREA	24	MODEL			DRAWING				SHEET 1 OF 2
C			VERSION	STATUS	REVISION	VERSION	STATUS	REVISION		
			01	RE	B	01	RE	A		

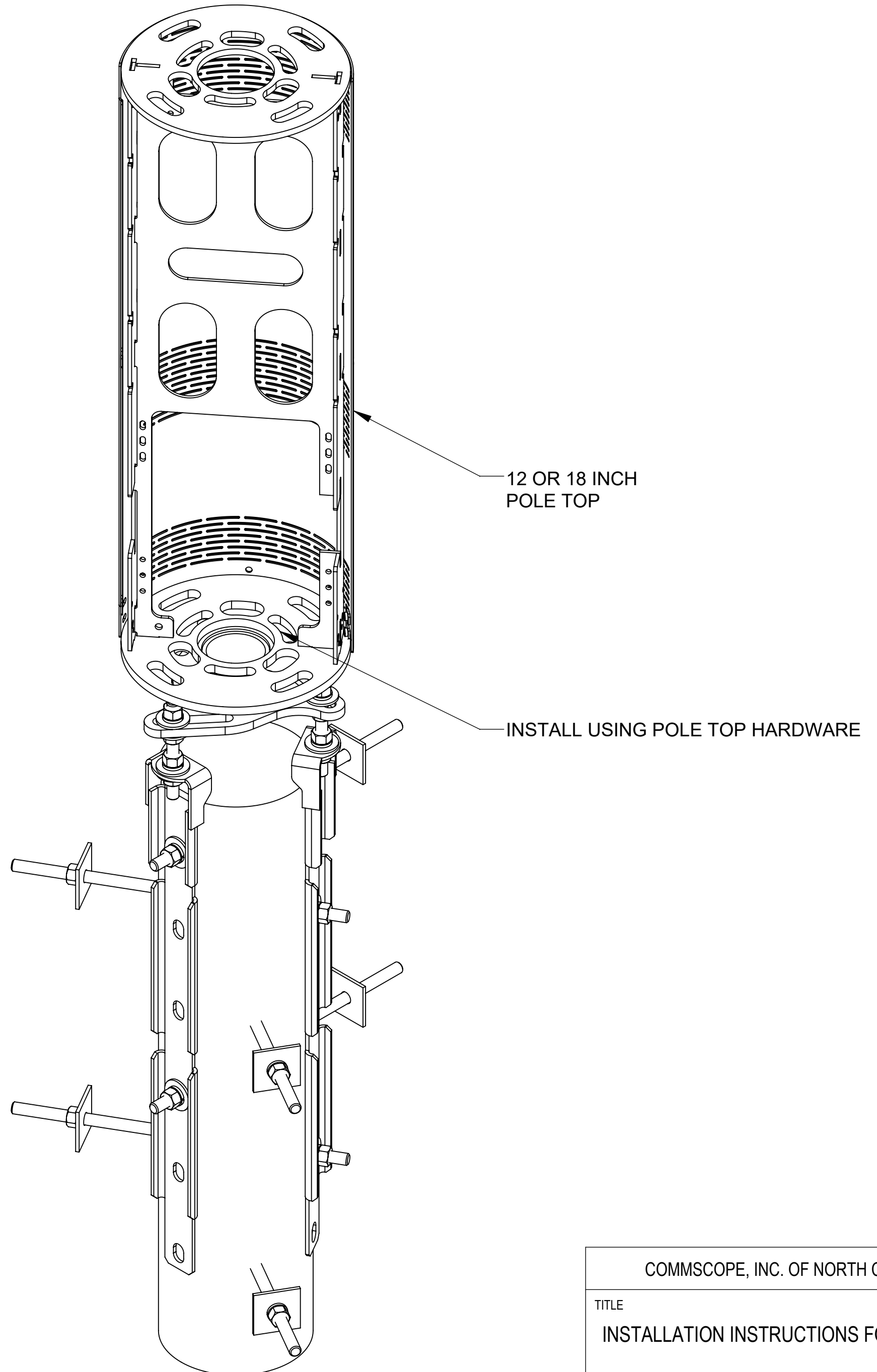
DENSITY		lbs/in ³
MASS	98.64	lbs
VOLUME	491.08	in ³
SURFACE AREA	8325.12	in ²
HEIGHT		
LENGTH		
WIDTH		

PIPE MOUNT INSTALL


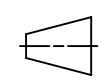
12 OR 18 INCH POLE TOP INSTALL



1. INSTALL PIPE MOUNT USING HARDWARE 4X



1. INSTALL POLE TOP USING HARDWARE 3X

COMMSCOPE, INC. OF NORTH CAROLINA				
TITLE INSTALLATION INSTRUCTIONS FOR 860636779				
SIZE C	SCALE 1:5	DOCUMENT NO. 860636779-INSTALL		
 		DRAWING		SHEET
		VERSION 01	STATUS RE	REVISION A