

P040-0095 Revision B, January 2024

Mounting Kit, For Tri-sector Antennas TS-MNT-TOP-370 Mounting Kit

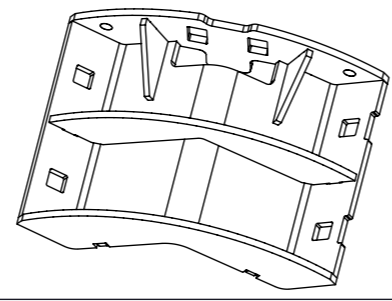
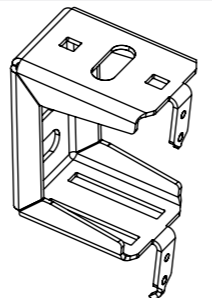
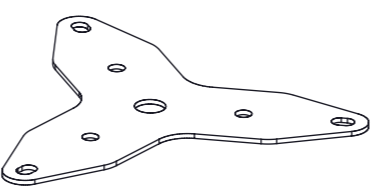
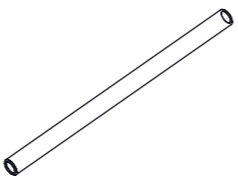
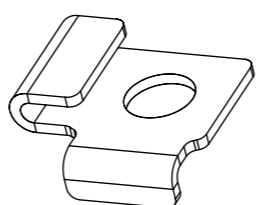
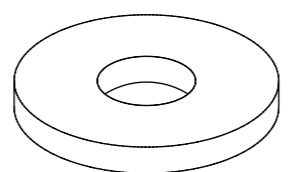
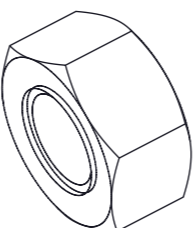
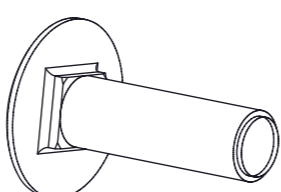
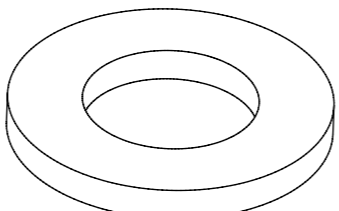
GENERAL INFORMATION

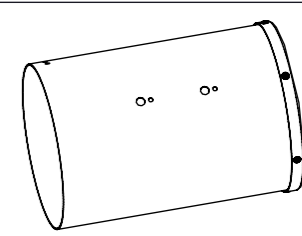

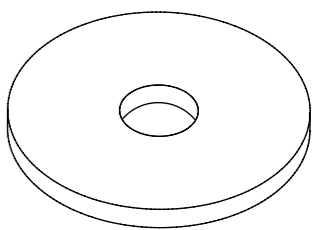
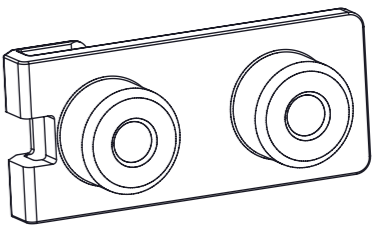
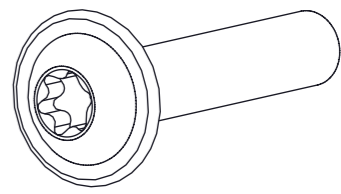
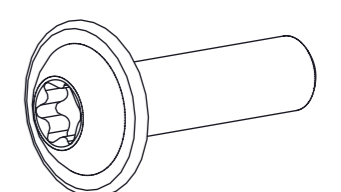

- Top of pole mounting option
Fits round members 5.9" to 10.7" (150 to 273 mm) pole diameter.

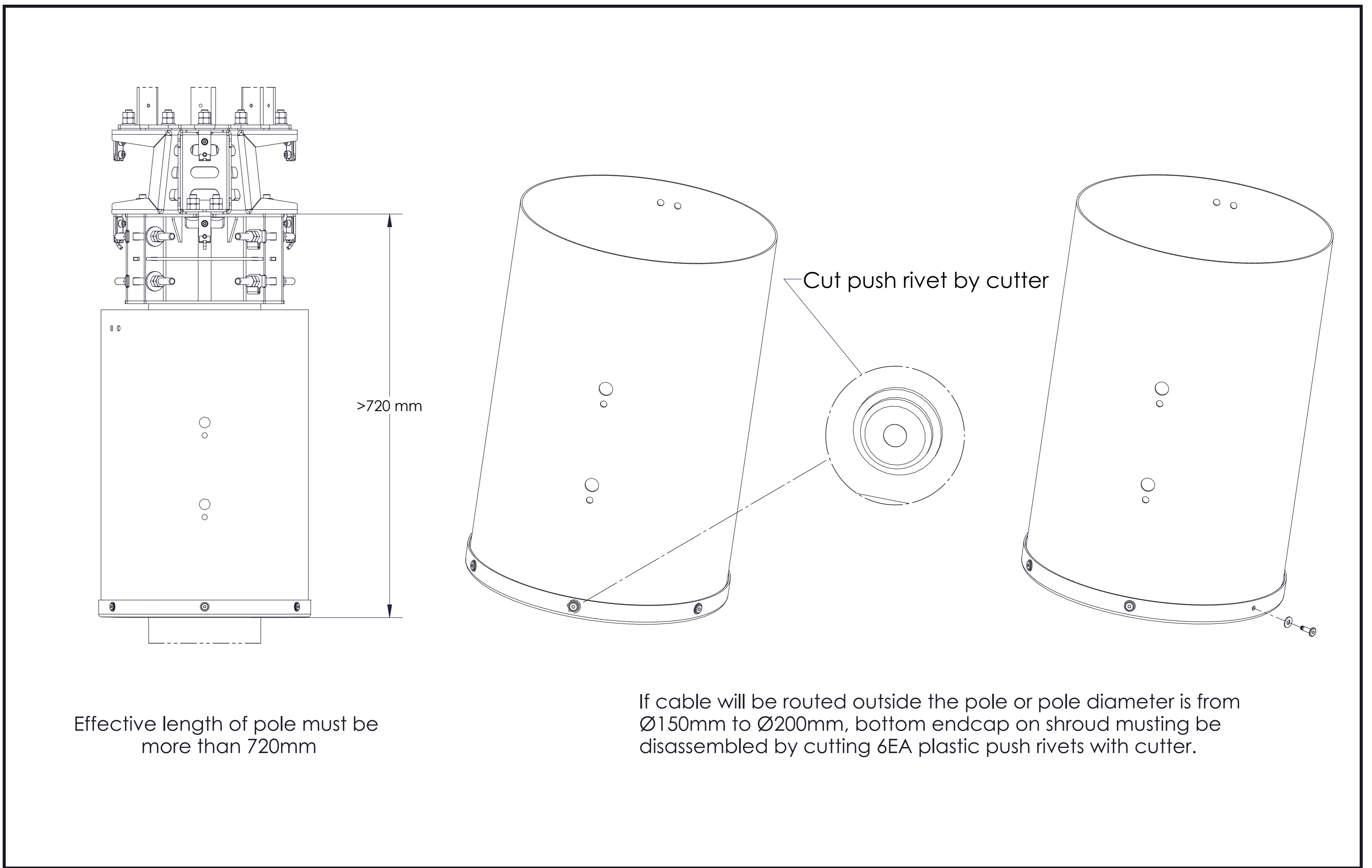
PRE-INSTALLATION INSTRUCTIONS

- Examine antenna and kit to ensure that all parts are enclosed and that there is no physical damage.

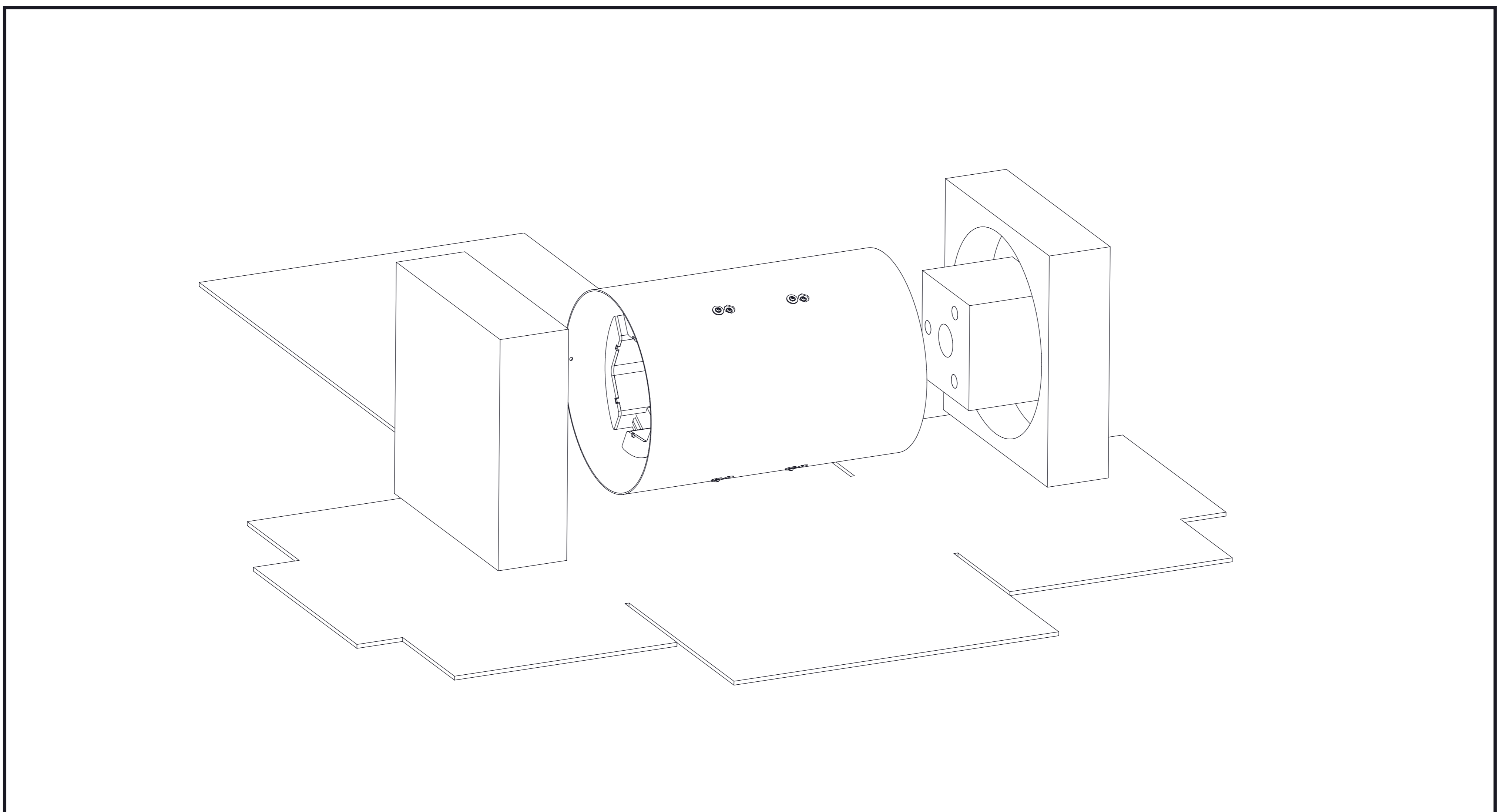
PARTS LIST

Item	Description	Qty	Image
1	POLE CLAMP	3	
2	ADAPTER BRACKET	3	
3	ADAPTER PLATE	1	
4	STUD, THREADED, M12X195, STL, GALV	6	
5	WASHER, SELF LOCK	6	
6	WSHR, FLAT, M12, 13X35X4, STL, GALV	12	
7	NUT, HEX, M12, STL, GALV	48	
8	BOLT, CARRIAGE, M12X40, STL, GALV	12	
9	WSHR, FLT, M12, 13X24X2.5, STL, GALV	6	

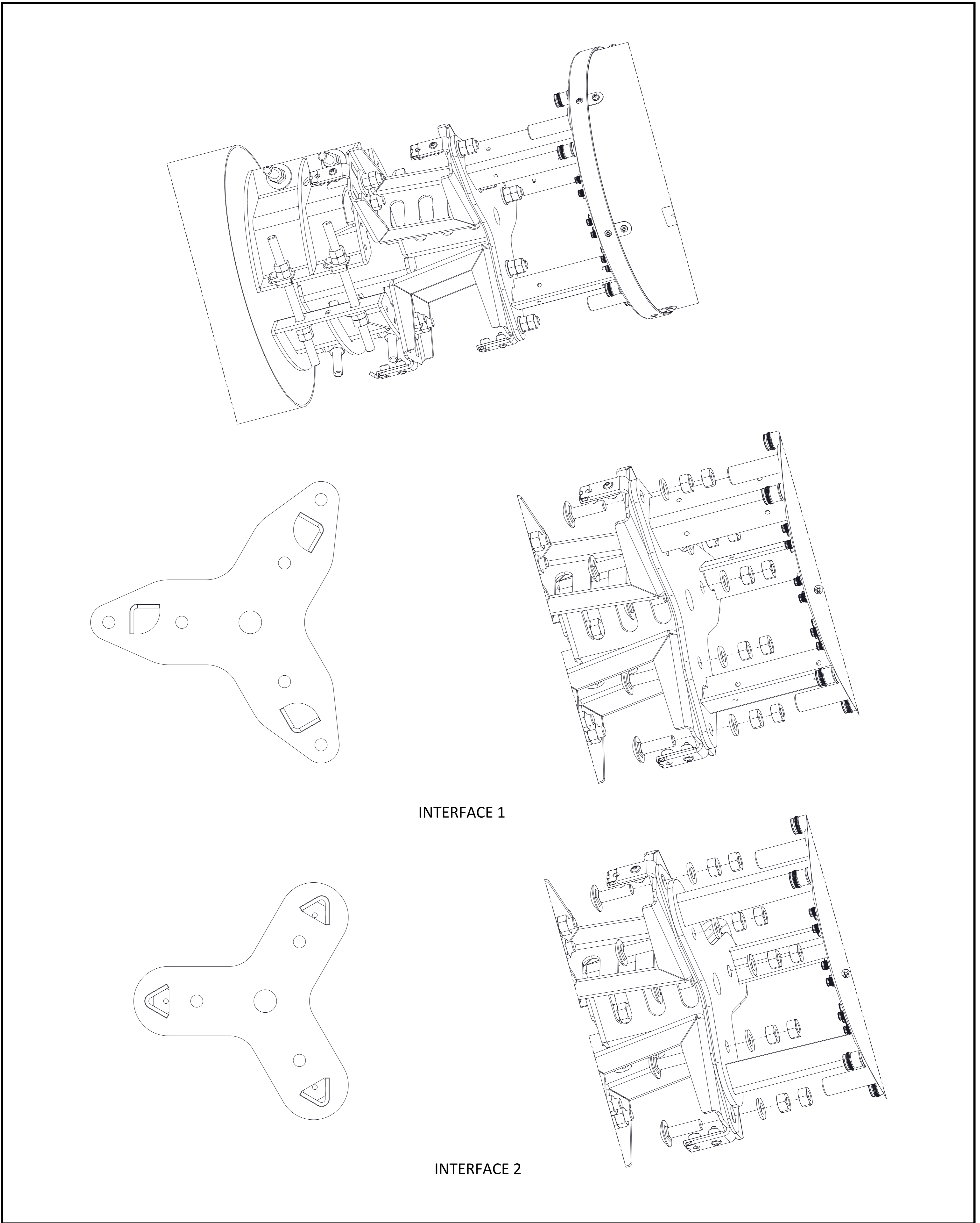
Item	Description	Qty	Image
10	RADOME ASSY	1	
11	MAINTENANCE ROPE	1	
12	WSHR, FLAT, M5, 5.2X20X1.6, SST	6	
13	ISOLATION WITH TAPE	6	
14	SCR, BH, FLANGE, TORX, M5X25, PASS, NYLON	6	
15	SCR, BH, FLANGE, TORX, M5X18, PASS, NYLON	6	
16	Cable tie		



INSTALLATION PREPARATIONS



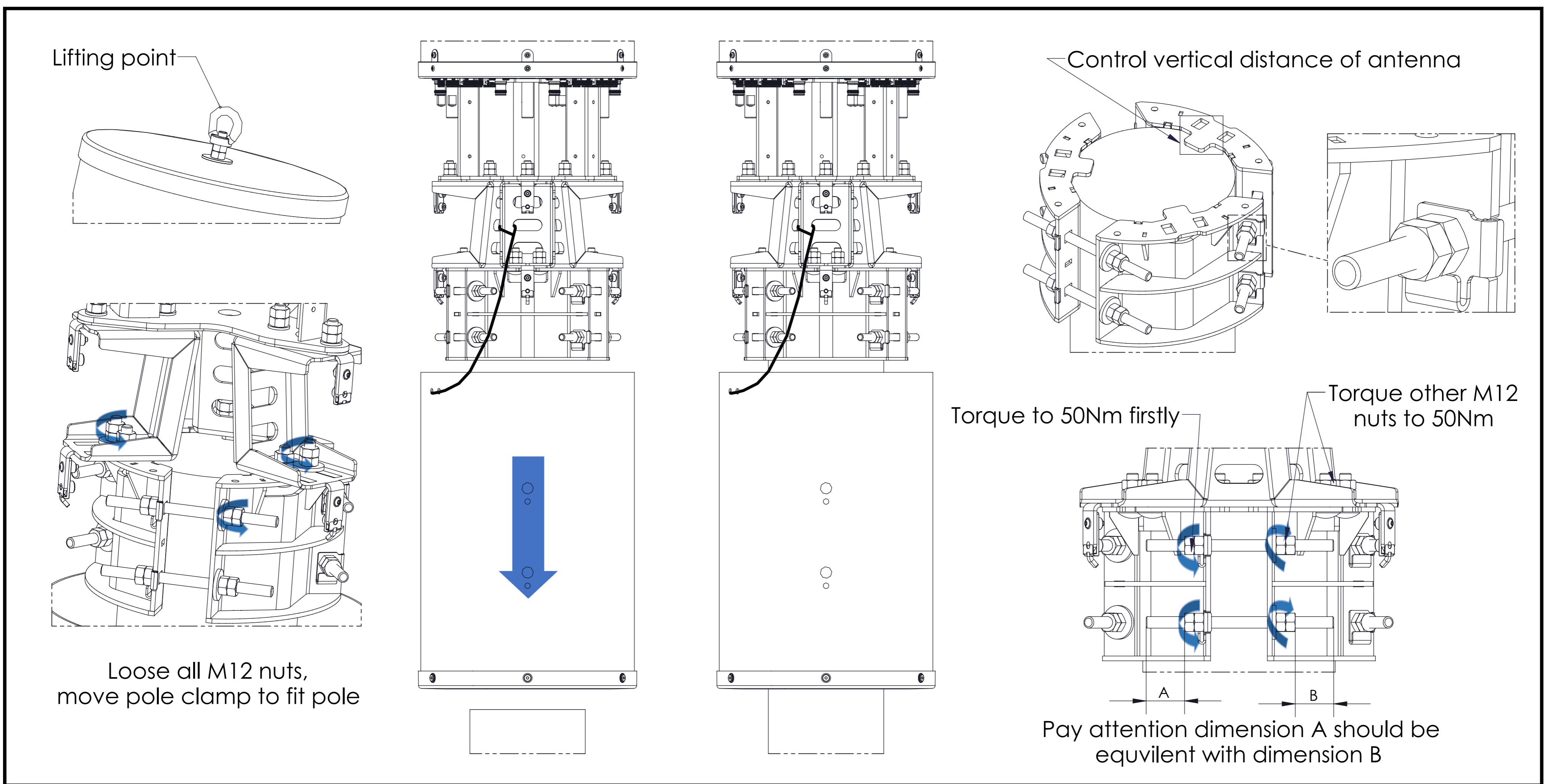
UNPACK THE PACKAGES



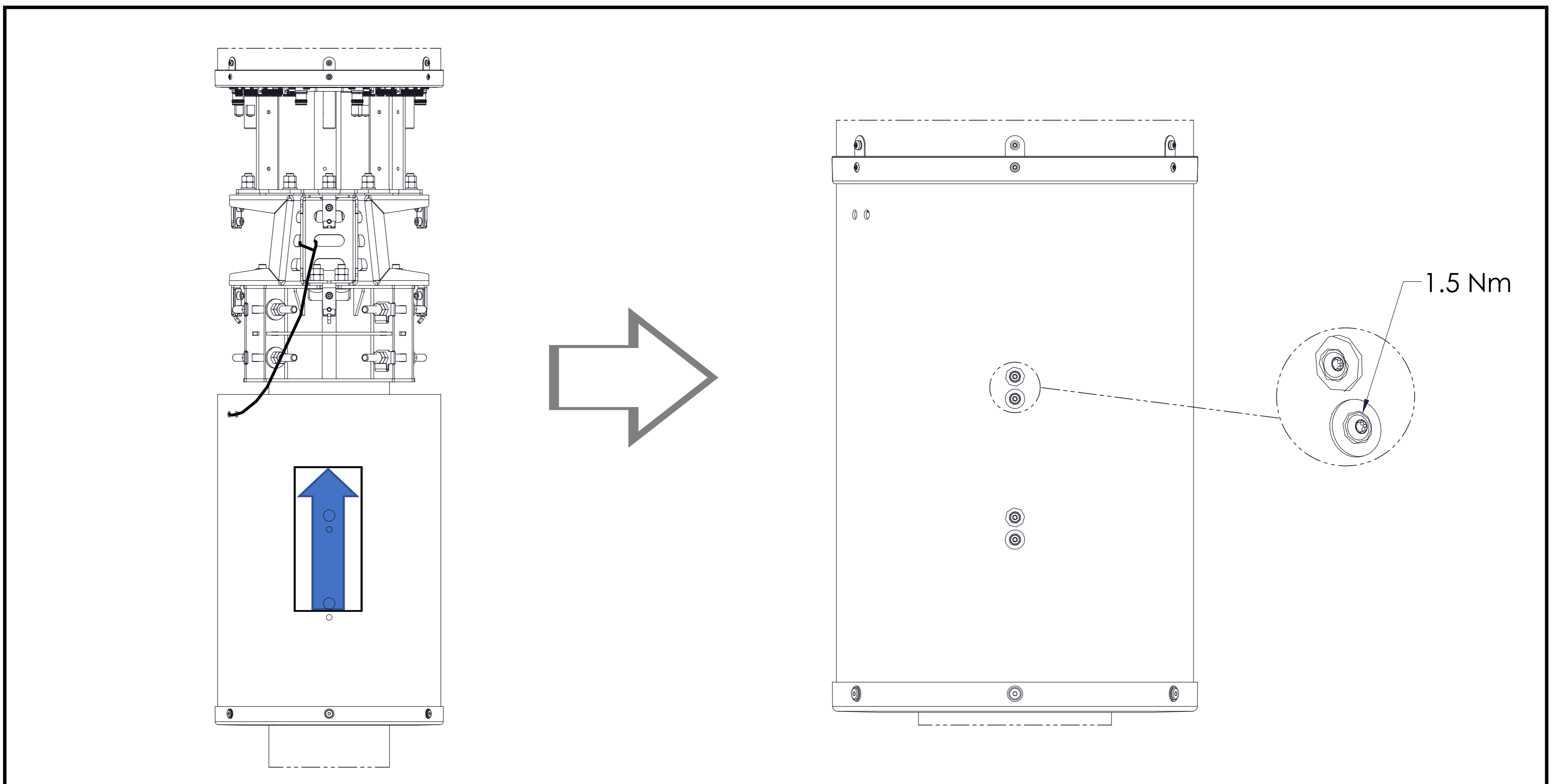
INTERFACE 1

INTERFACE 2

FIX MOUNTING KITS ONTO ANTENNA



LIFT UP ANTENNA AND FIX ONTO POLE



ASSEMBLE SHROUD

SAFETY NOTICE

The installation, maintenance, or removal of an antenna requires qualified, experienced personnel. CommScope installation instructions are written for such installation personnel. Antenna systems should be inspected once a year by qualified personnel to verify proper installation, maintenance, and condition of equipment.

CommScope disclaims any liability or responsibility for the results of improper or unsafe installation practices.

It is recommended that transmit power be turned off when the field installation is performed. Follow all applicable safety precautions as shown on this page.



Do not install near power lines. Power lines, telephone lines, and guy wires look the same. Assume any wire or line can electrocute you.



Do not install on a wet or windy day or when lightning or thunder is in the area. Do not use metal ladder.



Wear shoes with rubber soles and heels. Wear protective clothing including a long-sleeved shirt and rubber gloves.