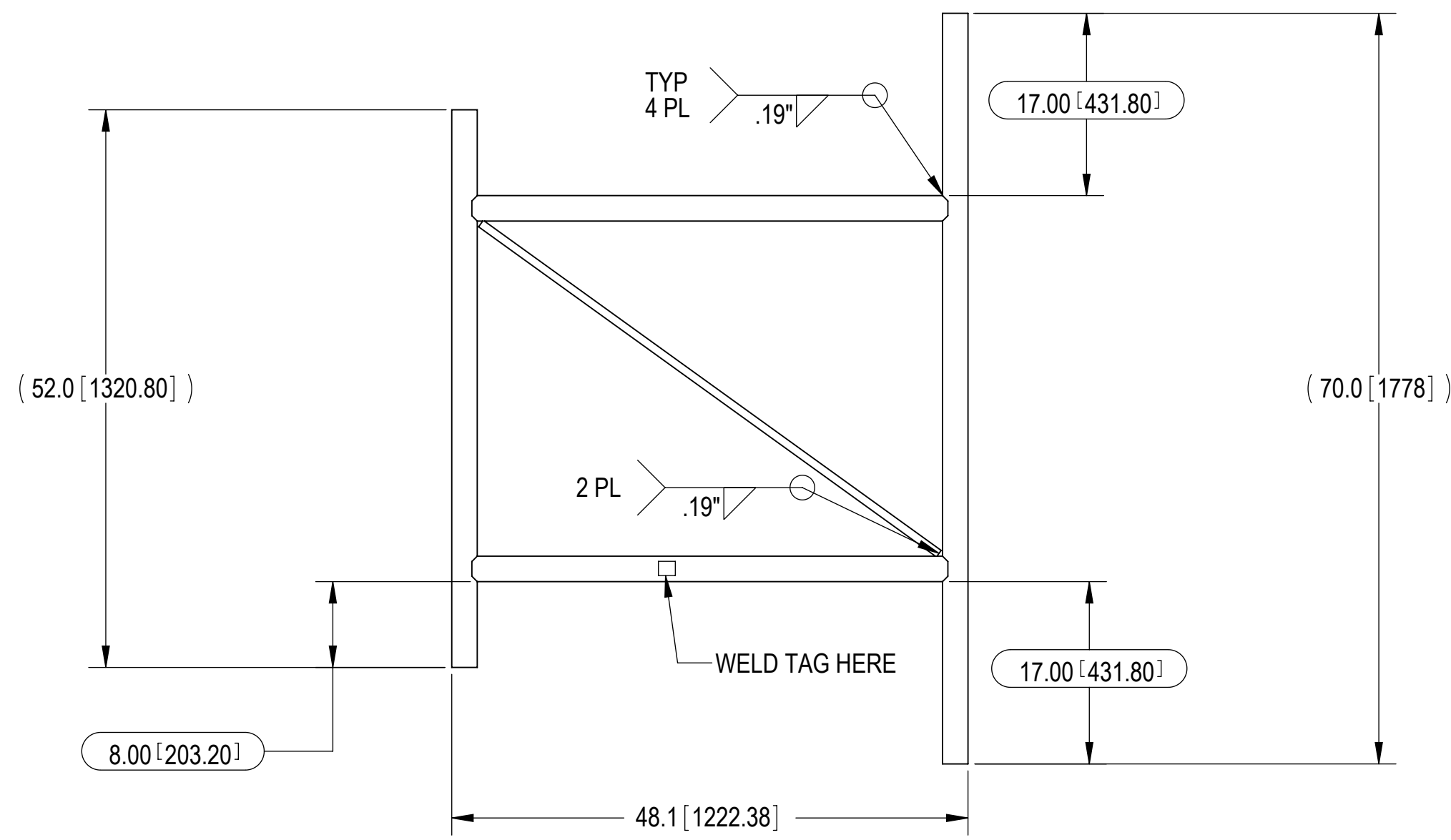
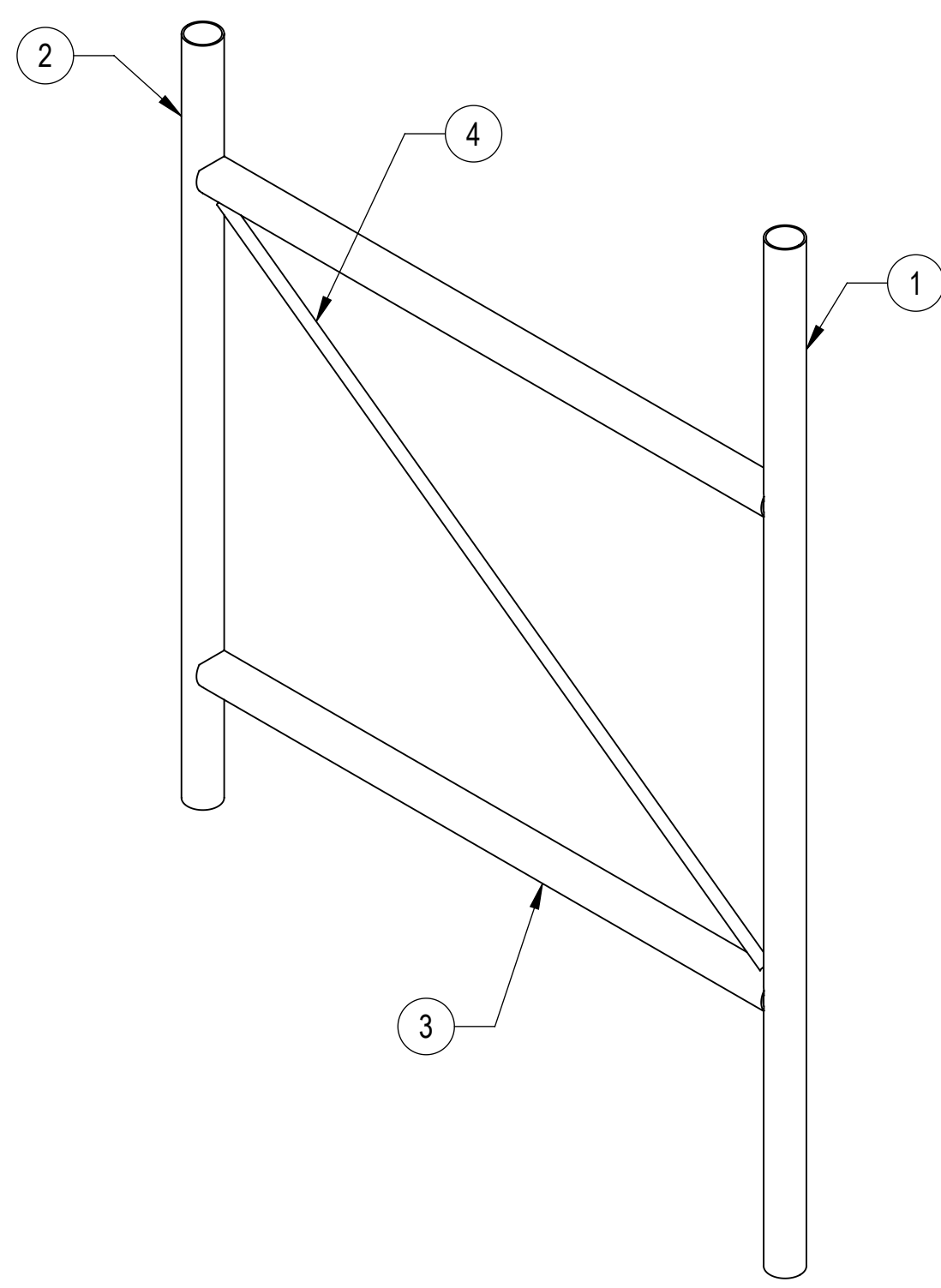
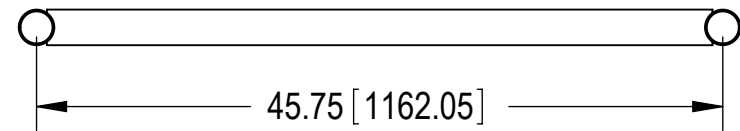


- 1.0 GENERAL NOTES
 1.1 ALL METRIC DIMENSIONS ARE IN BRACKETS [X.X]
 1.2 FEATURES CRITICAL TO QUALITY ARE INDICATED IN ROUNDED BOX (XX)
 1.3 3D DIGITAL FILES ARE FOR REFERENCE. IN CASE OF CONFLICT FOLLOW PDF DRAWING
 1.4 WELD AREAS NOTED ARE CRITICAL TO QUALITY
- 2.0 DESIGN NOTES
- 3.0 MANUFACTURING/SPECIAL REQUIREMENTS
 3.1 BREAK SHARP EDGES AND DEBURR PART FOR SAFE HANDLING
 3.2 WELDING:
 3.2.A ALL WELDING SHALL CONFORM TO AWS D1.1, STEEL STRUCTURAL WELDING CODE
 3.2.B WELDING WORKMANSHIP SHALL BE PER AWS D1.1, TABLE 8.1 (VISUAL INSPECTION)
 3.2.C ALL WELDING SHALL BE PERFORMED BY CERTIFIED WELDERS
 3.2.D ALL WELD SLAG, SPATTER AND SHARP SHALL BE REMOVED PRIOR TO FINISH
 3.2.E WELDER ID TAG SHALL BE LOCATED APPROXIMATELY WHERE SHOWN FOR MANUFACTURER & WELDER TRACEABILITY. TAG SHALL HAVE MANUFACTURE ID (XXX) FOR VENDOR SUPPLIED AND WELDER ID (XXX) FOR COMMSCOPE/VENDOR WELDER. TAG CAN BE UP TO 1/8" THICK & UP TO 2" SQUARE WITH STAMPED/ENGRAVED TEXT NO LESS THAN 1/4" IN HEIGHT
 3.3 GALVANIZE PER ASTM A123
 3.4 MARK WITH PART NUMBER, REVISION, AND VENDOR ID WITH ETCH, STAMP OR LABEL. CHARACTERS TO BE 0.12" TO 0.24" HIGH AND LEGIBLE TO THE UNAIDED EYE.
- 4.0 TEST
- 5.0 PACKAGING
 5.1 PACKAGING SHALL MEET COMMSCOPE REQUIREMENTS PER DOCUMENT IS-PL-3005

REVISIONS			
REV.	DESCRIPTION	DATE	APPROVED
D	ADD WELD TAG AND NEW TEMPLATE	MSM 29JUN15	8000008868
E	REPLACED P40003 WITH HS40004 PIPE	DRR 26SEP16	8000016426
F	UPDATED DRAWING FORMAT; REDRAWN TO CREATE PDF	YX1027 16JUL24	BA1025 40200509CMO



DENSITY	62.51	lbs/in ³
MASS	62.51	lbs
VOLUME	221.27	in ³
SURFACE AREA	3086.94	in ²
HEIGHT	70"	
LENGTH	48.13"	
WIDTH	2.38"	

COMMSCOPE, INC. OF NORTH CAROLINA

TOLERANCES: 0 PLACE .X[X] ± 0.25[6.3], 1 PLACE .X[X] ± 0.06[1.5], 2 PLACE .XX[X] ± 0.03[0.8], ANGLES ± 2°

SAP MATERIAL MASTER: P-400

FINISH: MATERIAL

UNLESS OTHERWISE SPECIFIED DIMENSIONS ARE IN INCHES INTERPRET PER ANSI Y 14.5M-1994	NAME	DATE	TITLE
	CE JTS	27MAR01	48" PANEL ANTENNA STAND-OFF BRACKET
	RW YX1027	07/22/2024	
	AD YMENG	07/25/2024	
	RE YMENG	08/02/2024	
ECN 40200509CMO			

SCALE: 1:16 DOCUMENT NO.: P-400

SIZE	Auth Group	INSL	MODEL	DRAWING			SHEET		
C			VERSION	STATUS	REVISION	VERSION	STATUS	REVISION	1 OF 1
			00	RE	E	01	RE	F	