

# BUDI-FM

---

## Base Product



## BUDI™ Fiber Optic Wall mount Enclosure, FOSC splicing, medium size (M)

CommScope's BUDI™ portfolio of wall-mounted, indoor and outdoor fiber boxes is a modular and configurable platform for building entrance deployments. Available in a large variety of models to meet the needs of a wide range of MDU applications, it offers rugged environmental protection; is UL listed, UV resistant, and IP54 rated and is designed for easy installation and accessibility.

The CommScope BUDI™ family is ideal for small to medium size buildings. It provides a flexible fiber management system for transitioning outside plant cable to indoor cable via splicing or with connectorized cable assemblies. It incorporates proven fiber routing procedures, cable termination accessories and splice trays resulting in consistent, high-quality fiber management. Available add-on passive optical modules support the new G/EPON architecture. The BUDI™ portfolio offers the flexibility to address the needs of today's and tomorrow's fiber networks while maintaining commonality of components and operational practices.

### Features and benefits:

- Indoor or indoor/outdoor (IP54) rugged termination point
- UL listed and UV resistant enclosure
- Wide range of cable size supported
- Splice only and splice and patch versions
- Pre-terminated versions available
- Splitter versions available
- Hardened terminal versions available

## Product Classification

<b>Regional Availability</b>	North America
<b>Portfolio</b>	CommScope®
<b>Product Type</b>	Fiber wall box
<b>Product Brand</b>	BUDI™   FOSC®
<b>Product Series</b>	BUDI

## General Specifications

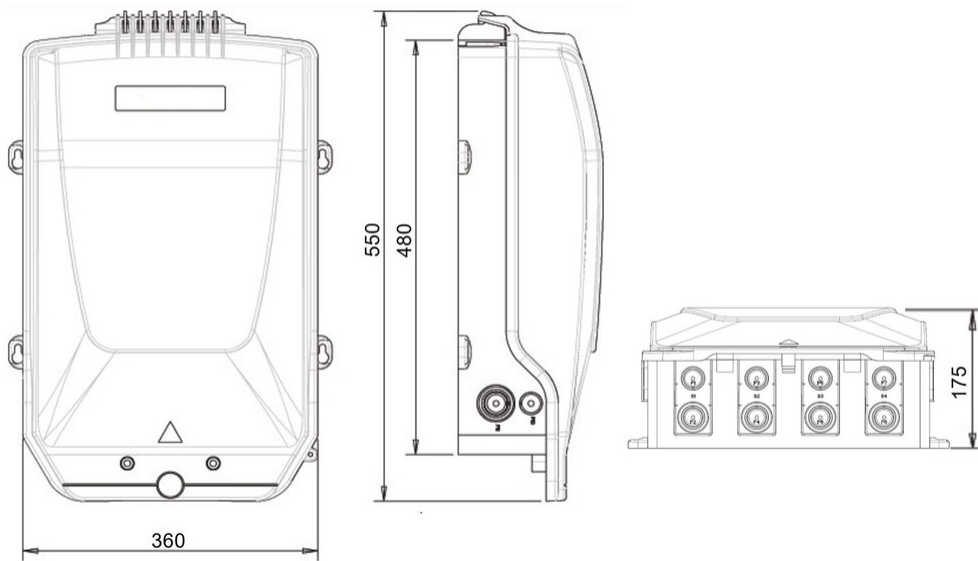
<b>Functionality</b>	Patching   Splicing   Splitting
<b>Access</b>	Front
<b>Enclosure Color</b>	Gray
<b>Front Cover Type</b>	Snap-on cover
<b>Mounting</b>	Wall

# BUDI-FM

## Dimensions

<b>Height</b>	480 mm   18.898 in
<b>Height, with cover</b>	550 mm   21.654 in
<b>Width</b>	360 mm   14.173 in
<b>Depth</b>	175 mm   6.89 in

## Dimension Drawing



## Material Specifications

<b>Enclosure Material Type</b>	LSZH thermoplastic
--------------------------------	--------------------

## Environmental Specifications

<b>Environmental Space</b>	Indoor/Outdoor
<b>Qualification Standards</b>	IEC 60529, IP54   IEC 61753-1, category G

## Packaging and Weights

<b>Packaging quantity</b>	1
<b>Packaging Type</b>	Box   Carton

## Regulatory Compliance/Certifications

Agency	Classification
--------	----------------

# BUDI-FM

---

CHINA-ROHS	Above maximum concentration value
ROHS	Compliant/Exempted
UK-ROHS	Compliant/Exempted

