

4

3

2

1

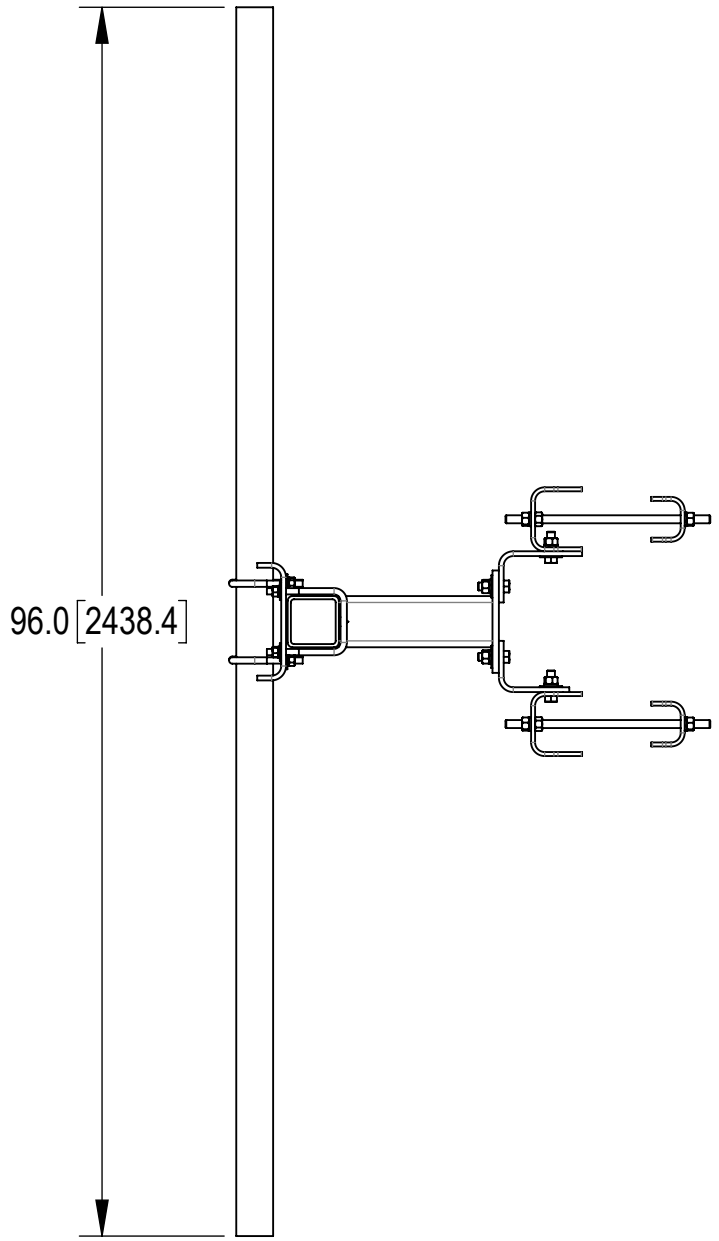
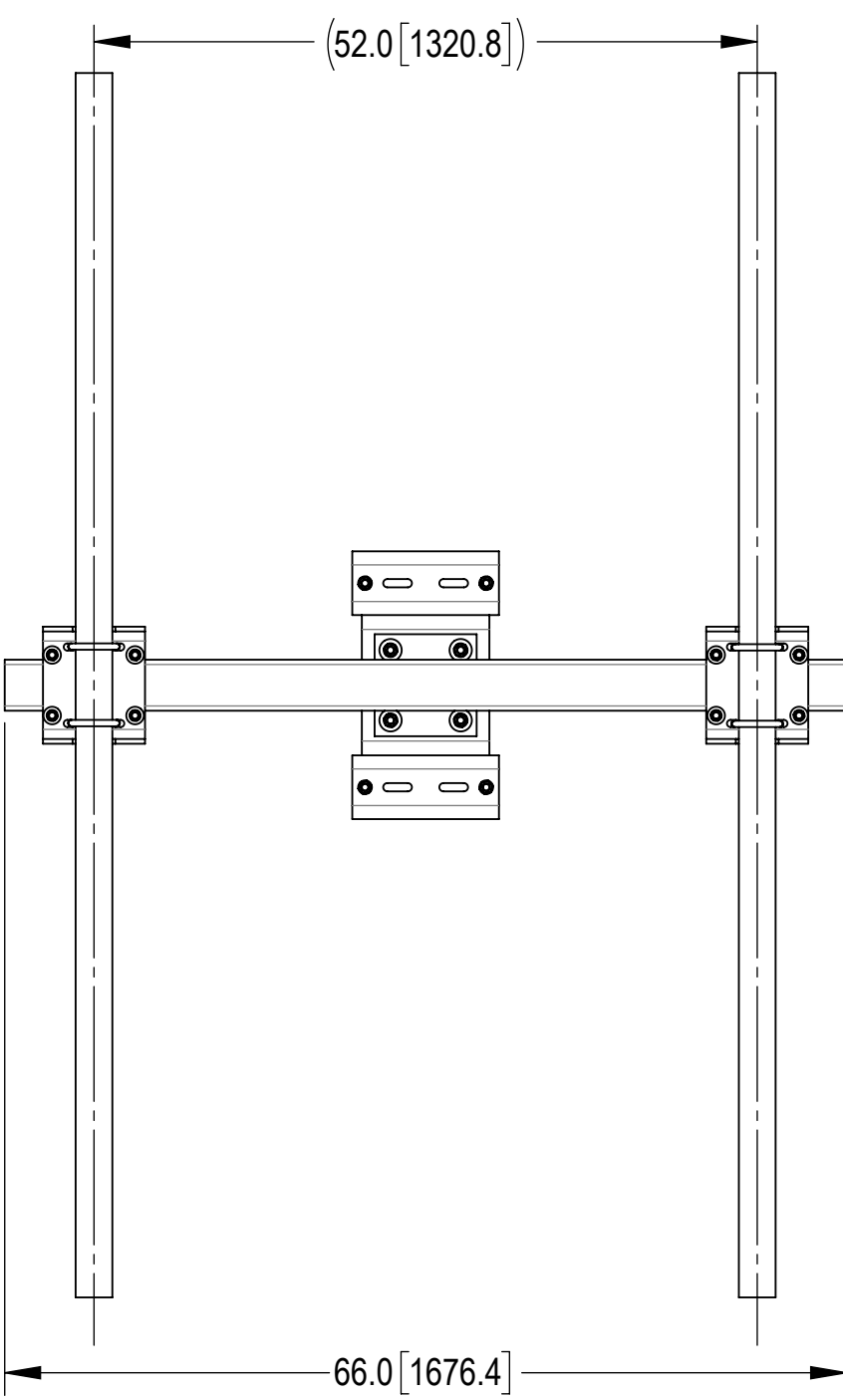
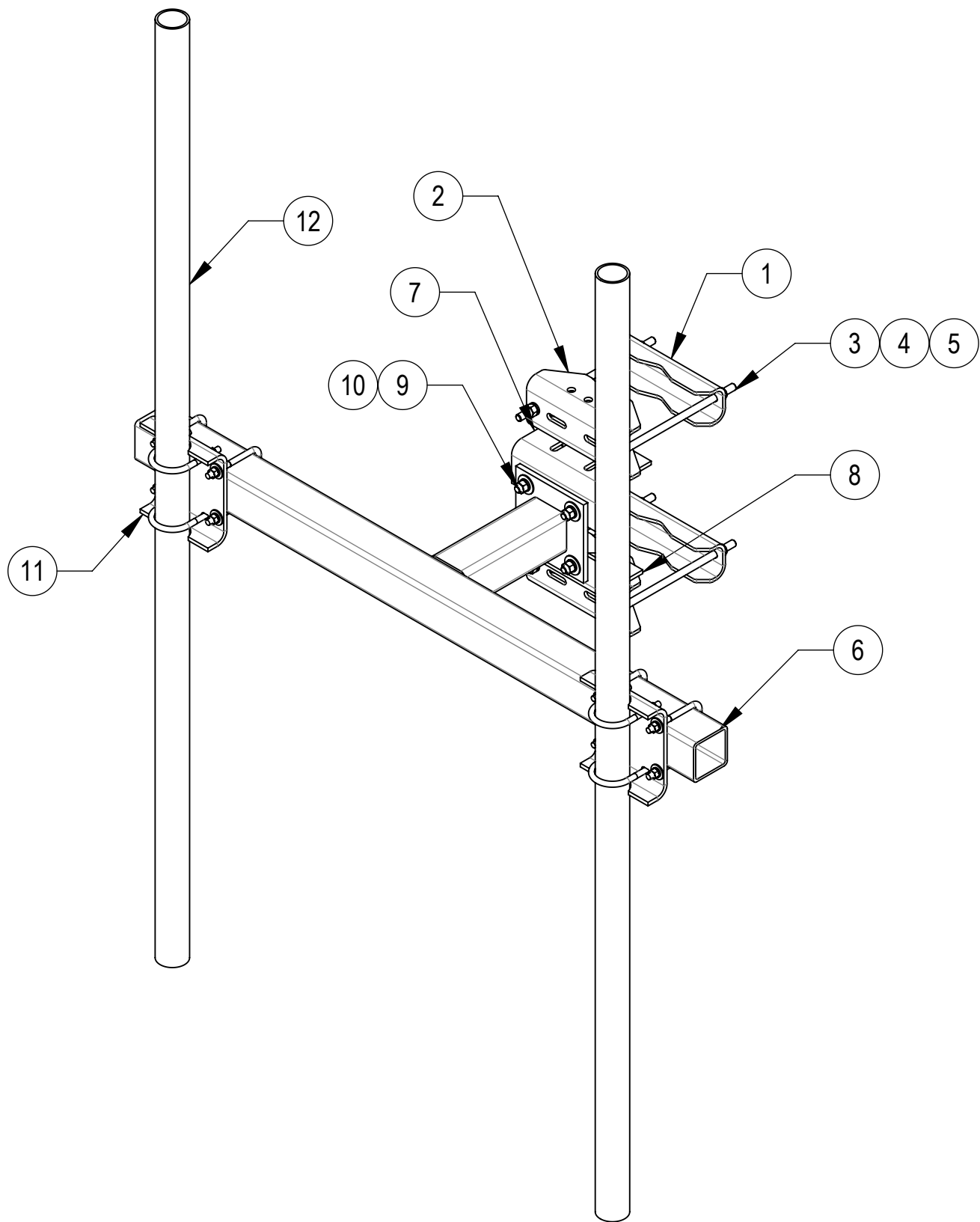
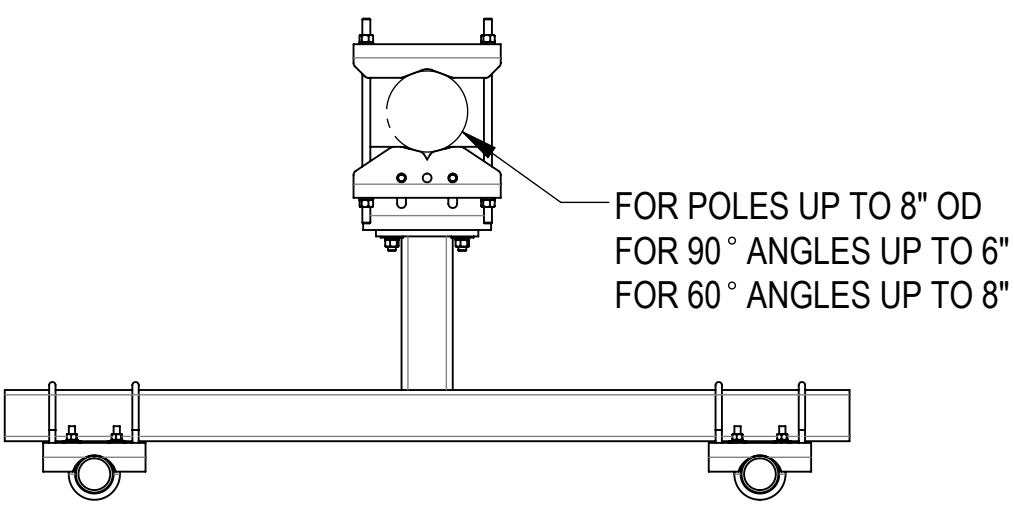
- 1.0 GENERAL NOTES
- 1.1 ALL METRIC DIMENSIONS ARE IN BRACKETS [X. X]
- 1.2 FOR PATENT INFO: <https://www.cs-pat.com>

- 2.0 DESIGN NOTES
- 2.1 ANY HAZARDS OR OBSTRUCTIONS TO THE CLIMBING FACILITY AND SAFETY CLIMB MUST BE IDENTIFIED PRIOR TO INSTALLING THE APPURTENANCE. ADDITIONAL PRODUCTS MAY BE REQUIRED TO MAINTAIN THE INTEGRITY OF THE SAFETY CLIMB. DURING INSTALLATION, TEMPORARY AND/OR PERMANENT PRECAUTIONARY MEASURES SHOULD BE TAKEN TO PRESERVE THE CLIMBING FACILITY AND/OR SAFETY CLIMB.

- 3.0 MANUFACTURING/SPECIAL REQUIREMENTS
- 3.1 TIGHTEN ALL BOLTS SECURING FLAT PLATES BY THE TURN-OF-NUT METHOD. TIGHTEN ALL U-BOLTS USING TURN-OF-NUT METHOD WITH ATTENTION TO LEAVE EQUAL DISTANCE AND EQUAL FORCE ON EACH LEG OF THE U-BOLT.

- 4.0 TEST
- 5.0 PACKAGING
- 5.1 PACKAGING SHALL MEET COMMSCOPE REQUIREMENTS PER DOCUMENT IS-PL-3005
- 5.2 PRINTED DOCUMENT TO BE PLACED INSIDE POLYBAG AND THEN IN SHIPPING CONTAINER
- 5.3 EXTRA HARDWARE MAY BE SUPPLIED, BAGGED AND SHIPPED

REVISIONS			
REV.	DESCRIPTION	DATE	APPROVED
B	INDIVIDUAL DRAWING RELEASED	YMENG 16JUL24	BCROSS 40200320CMO



COMPONENT PART NUMBERS PROVIDED FOR ASSEMBLY PURPOSES;
INDIVIDUAL COMPONENTS MAY BE SHIPPED AS PARTS WITHIN AN INCLUDED KIT.

ITEM	PART NO.	DESCRIPTION	QTY.	WEIGHT	NOTE NO.
1	MTC397521	CLAMP, BACK	2	6.94 LBS	
2	MTC397522	CLAMP, FRONT MOUNTING	2	10.02 LBS	
3	MT-382-16	5/8" X 16" GALV THREADED ROD	4	1.38 LBS	
4	GN-05	5/8" GALV HEX NUT	12	0.08 LBS	
5	GWL-05	5/8" GALV LOCK WASHER	8	0.03 LBS	
6	MTC306501	SQUARE TUBE T-ARM WELDMENT	1	89.19 LBS	
7	MTC3065TW01	TOWER BRACKET FOR MTC3065TW	1	9.34 LBS	
8	MTC3065TW02	LOWER TOWER BRACKET FOR MTC3065TW	1	8.42 LBS	
9	GB-0520A	5/8" X 2" GALV BOLT KIT (A325)	8	0.26 LBS	
10	GWF-05	5/8" GALV FLAT WASHER, 1.70D	8	0.06 LBS	
11	MTC3055PM3	PIPE MOUNT BRACKET 2-7/8" OD X 4" SQ TUB	2	13.12 LBS	
12	MT54696	PIPE, 2.875"OD X 96"	2	45.96 LBS	

COMMSCOPE, INC. OF NORTH CAROLINA

TOLERANCES		SAP MATERIAL MASTER	
1 PLACE .X[X] ± .12[3.0]	3 PLACE .XXX[X] ± .031[0.8]	SF-HPM3-96	
2 PLACE .XX[X] ± .06[1.5]	ANGLES ± 2°		
FINISH		MATERIAL	
UNLESS OTHERWISE SPECIFIED DIMENSIONS ARE IN INCHES INTERPRET PER ANSI Y 14.5M-1994	NAME	DATE	TITLE
	CE YMENG	16JUL24	HEAVY DUTY SQUARE T-ARM BASE W/PIPES
	RW YMENG	07/16/2024	
	AD YX1027	07/23/2024	
	RE YMENG	07/23/2024	
ECN 40200320CMO			
SCALE	DOCUMENT NO.		
1:16	SF-HPM3-96		
SIZE	Auth Group	INSL	MODEL
C			
VERSION		STATUS	REVISION
00	RE	B	00
DRAWING		VERSION	STATUS
		RE	B
SHEET		1 OF 1	

DENSITY		lbs/in ³
MASS	269.18	lbs
VOLUME	951.60	in ³
SURFACE AREA	7885.96	in ²
HEIGHT	96"	
LENGTH	66"	
WIDTH	37"	

4

3

2

1