

4

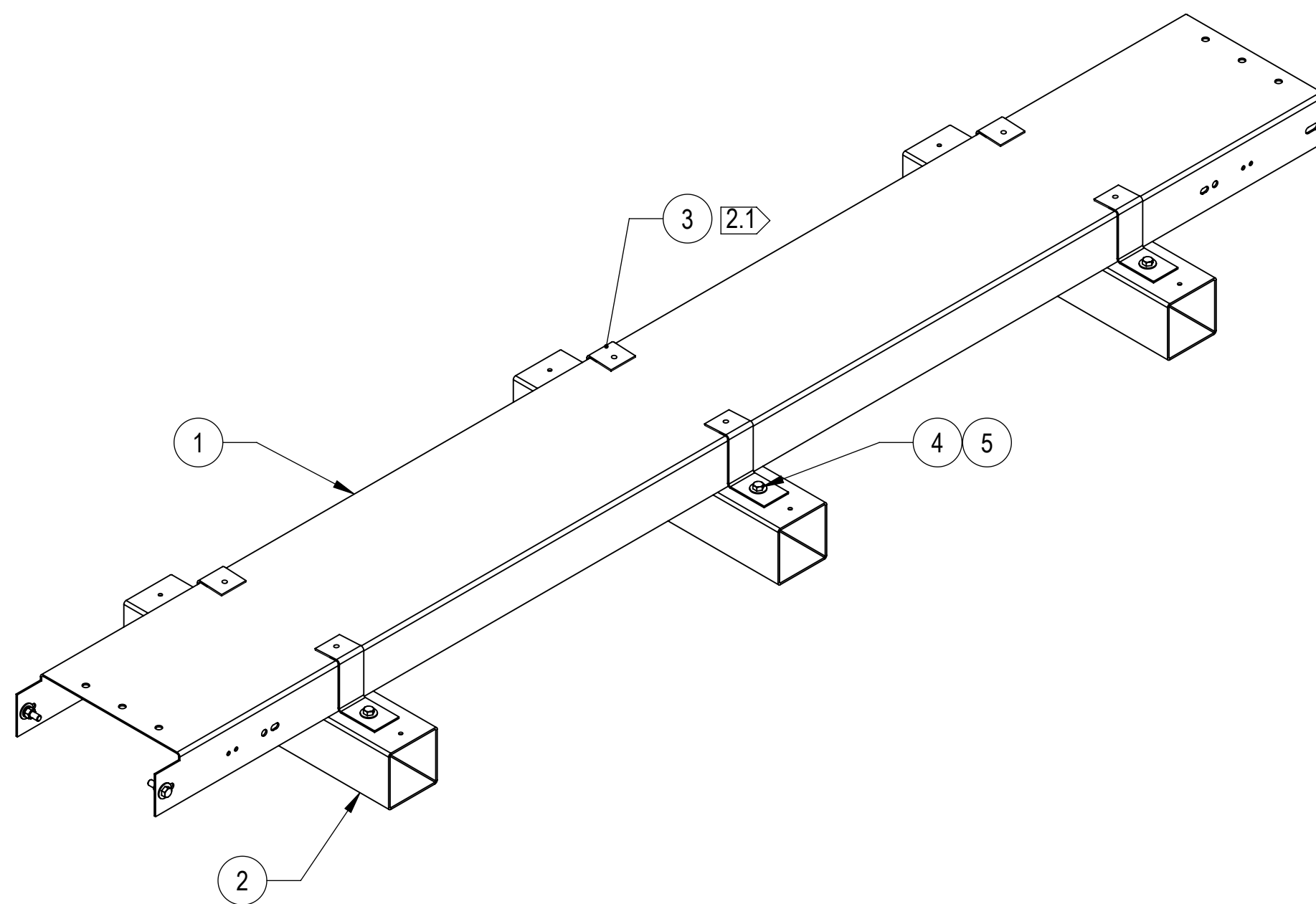
3

2

1

- 1.0 GENERAL NOTES
 - 1.1 ALL METRIC DIMENSIONS ARE IN BRACKETS [X. X]
 - 1.2 FOR PATENT INFO: <https://www.cs-pat.com>
- 2.0 DESIGN NOTES
 - [2.1] Ø 5/16" HOLE INCLUDED IN ITEM 3 FOR OPTIONAL (NOT INCLUDED) 1/4" SELF-DRILLING SCREW.
- 3.0 MANUFACTURING/SPECIAL REQUIREMENTS
- 4.0 TEST
- 5.0 PACKAGING
 - 5.1 PACKAGING SHALL MEET COMMScope REQUIREMENTS PER DOCUMENT IS-PL-3005
 - 5.2 PRINTED DOCUMENT TO BE PLACED INSIDE POLYBAG AND THEN IN SHIPPING CONTAINER
 - 5.3 EXTRA HARDWARE MAY BE SUPPLIED, BAGGED AND SHIPPED

| REVISIONS | | | |
|-----------|---|-------------------|-----------------------|
| REV. | DESCRIPTION | BY | DATE |
| A | INITIAL RELEASE | JTS 27APR01 | |
| B | UPDATE ROOFTOP COVER CLIP, COVER CHANGED TO SELF SPLICING, ADDED SPLICING FASTENERS | ACG 05FEB06 | |
| C | ADDED HOLE TO ITEM 4 | ACG 06MAR06 | |
| D | UPDATED DRAWING FORMAT; REDRAWN TO CREATE PDF | YX1027 18JUL24 | BA1025 40200320CMO |



COMPONENT PART NUMBERS PROVIDED FOR ASSEMBLY PURPOSES;
INDIVIDUAL COMPONENTS MAY BE SHIPPED AS PARTS WITHIN AN INCLUDED KIT.

| ITEM NO. | PART NUMBER | DESCRIPTION | QTY. | WEIGHT | NOTE NO. |
|----------|-------------|---------------------------------------|------|-----------|----------|
| 1 | MTF154202 | SELF SPLICING COAX COVER (4 RUN COAX) | 1 | 50.19 LBS | |
| 2 | MT-F1598 | PVC ROOF SLEEPER FOR 4 RUNS OF COAX | 3 | 1.94 LBS | |
| 3 | MTF154203 | ROOF TOP COVER CLIP | 6 | 0.49 LBS | |
| 4 | GB-03125 | 3/8" X 1-1/4" GALV BOLT KIT | 8 | 0.06 LBS | |
| 5 | GSF-03 | 3/8" GALV FLAT WASHER | 16 | 0.01 LBS | |

| | | |
|--------------|---------|---------------------|
| DENSITY | | lbs/in ³ |
| MASS | 59.80 | lbs |
| VOLUME | 315.32 | in ³ |
| SURFACE AREA | 5702.71 | in ² |
| HEIGHT | 7.6" | |
| LENGTH | 21.8" | |
| WIDTH | 96" | |

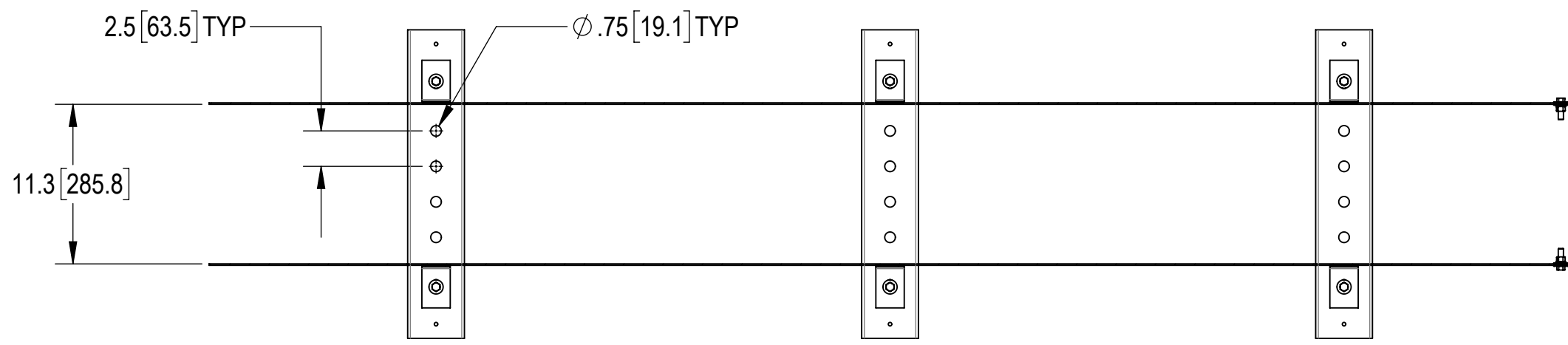
| | | | | | | | | | |
|---|------------|------------------------------|--|--------------------|----------|---------|--------|----------|-----------------|
| COMMScope, INC. OF NORTH CAROLINA | | | | | | | | | |
| TOLERANCES | | | SAP MATERIAL MASTER | | | | | | |
| 1 PLACE .X[X] ± 0.06[1.5] | | 3 PLACE .XXX[X] ± 0.010[0.3] | | MT-F1542-11 | | | | | |
| 2 PLACE .XX[X] ± 0.03[0.8] | | ANGLES ± 2° | | | | | | | |
| FINISH | | | MATERIAL | | | | | | |
| UNLESS OTHERWISE SPECIFIED DIMENSIONS ARE IN INCHES INTERPRET PER ANSI Y 14.5M-1994 | NAME | DATE | COAX BRIDGE, 4 RUN COAX, ROOF TOP | | | | | | |
| | CE JTS | 07APR01 | | | | | | | |
| | RW YMENG | 07/23/2024 | | | | | | | |
| | AD YX1027 | 07/23/2024 | | | | | | | |
| | RE YMENG | 07/23/2024 | | | | | | | |
| ECN 40200320CMO | | | SCALE | DOCUMENT NO. | | | | | |
| | | | 1:16 | MT-F1542-11 | | | | | |
| SIZE | Auth Group | INSL | MODEL | | DRAWING | | | | |
| C | | | VERSION | STATUS | REVISION | VERSION | STATUS | REVISION | SHEET 1 OF 2 |
| | | | 01 | RE | D | 01 | RE | D | |

4

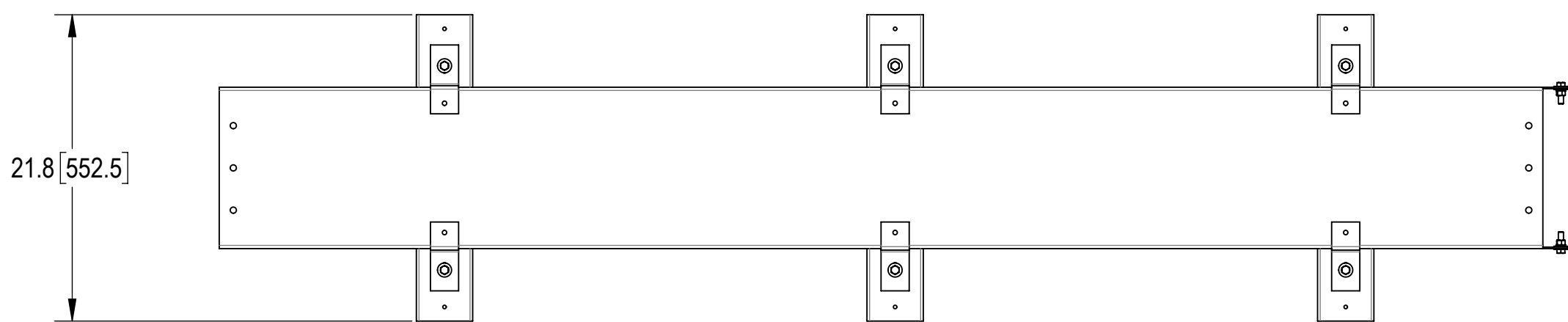
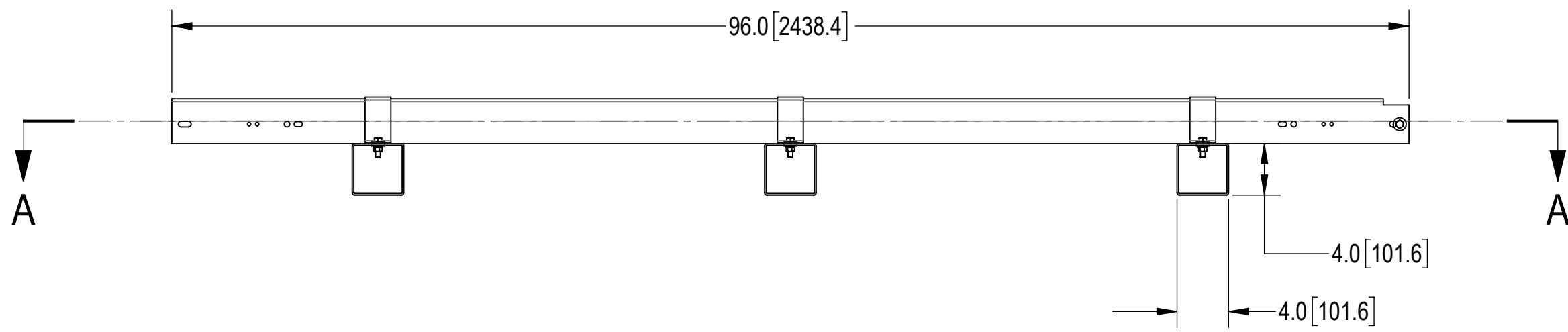
3


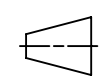
2

1



SECTION A-A



| | | | | |
|---|----------------------|-----------------------------|--------------|---------------|
| COMMSCOPE, INC. OF NORTH CAROLINA | | | | |
| TITLE COAX BRIDGE, 4 RUN COAX, ROOF TOP | | | | |
| SIZE C | SCALE 1:12 | DOCUMENT NO. MT-F1542-11 | | |
|   | | DRAWING | | SHEET |
| | | VERSION 01 | STATUS RE | REVISION D |

4

3

2

1