

4

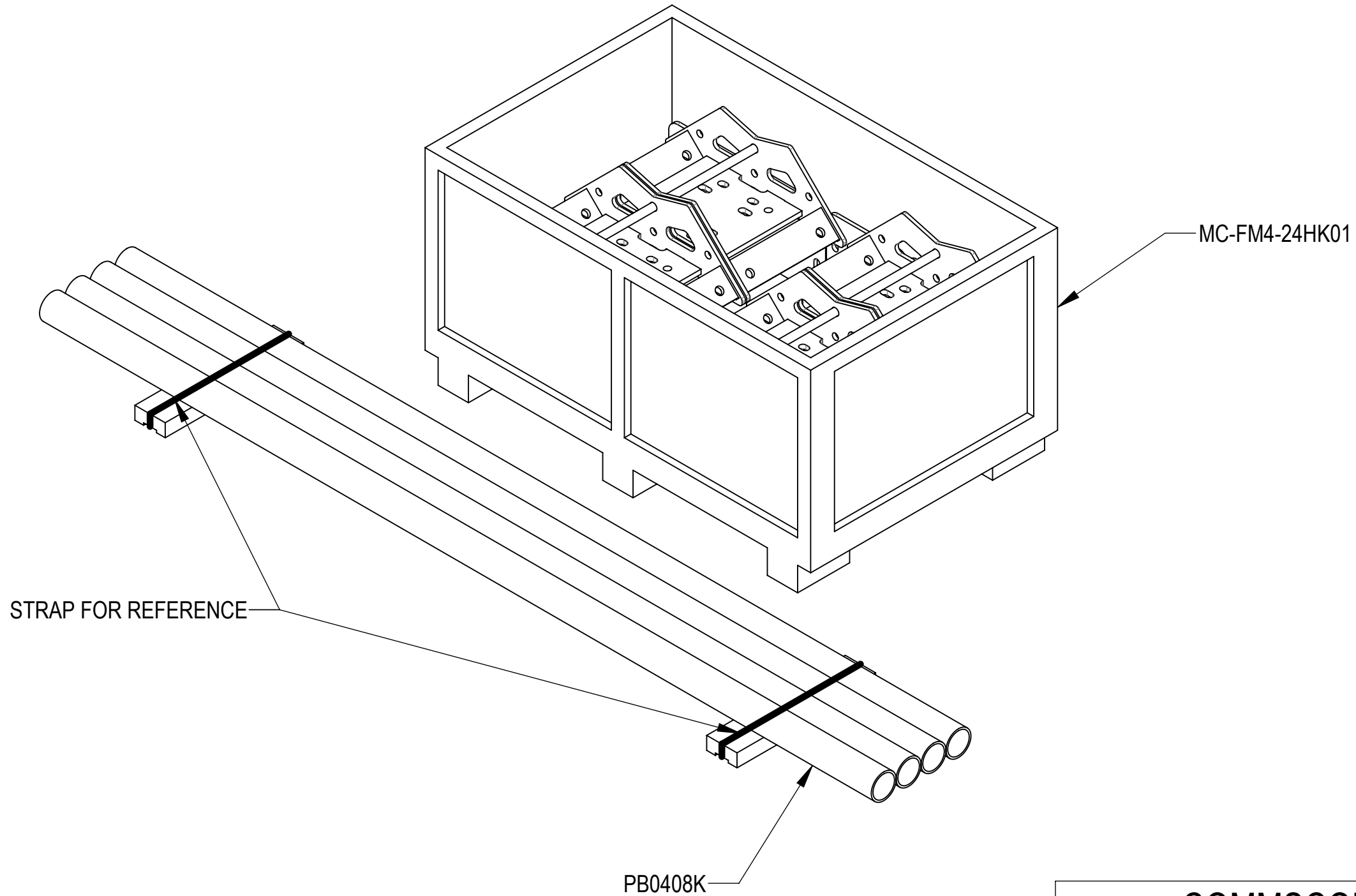
3

2

1

- 1.0 GENERAL NOTES
 - 1.1 ALL METRIC DIMENSIONS ARE IN BRACKETS [X. X]
 - 1.2 FOR PATENT INFO: <https://www.cs-pat.com>
- 2.0 DESIGN NOTES
- 3.0 MANUFACTURING/SPECIAL REQUIREMENTS
 - 3.1 TIGHTEN ALL BOLTS SECURING FLAT PLATES BY THE TURN-OF-NUT METHOD. TIGHTEN ALL U-BOLTS USING TURN-OF-NUT METHOD WITH ATTENTION TO LEAVE EQUAL DISTANCE AND EQUAL FORCE ON EACH LEG OF THE U-BOLT.
- 4.0 TEST
- 5.0 PACKAGING
 - 5.1 PACKAGING SHALL MEET COMMSCOPE REQUIREMENTS PER DOCUMENT IS-PL-3005.
 - 5.2 PRINTED DOCUMENT TO BE PLACED INSIDE POLYBAG AND THEN IN SHIPPING CONTAINER.
 - 5.3 EXTRA HARDWARE MAY BE SUPPLIED, BAGGED AND SHIPPED.

REVISIONS			
REV.	DESCRIPTION	DATE	APPROVED
A	INITIAL RELEASE	YX1027 02JUL24	YW1045 40199401CMO



COMMSCOPE, INC. OF NORTH CAROLINA											
TOLERANCES					SAP MATERIAL MASTER						
1 PLACE .X[X] ± .25[6.3]		3 PLACE .XXX[X] ± .06[1.5]			MC-FM4-24-278						
2 PLACE .XX[X] ± .12[3.0]		ANGLES ± 2°									
FINISH					MATERIAL						
UNLESS OTHERWISE SPECIFIED DIMENSIONS ARE IN INCHES INTERPRET PER ANSI Y 14.5M-1994	NAME		DATE		RM10-30" W/24"STANDOFF, 2-7/8 X 96, 4S						
	CE YX1027		02JUL24								
	RW YX1027		07/15/2024								
	AD YW1045		07/15/2024								
	RE YX1027		07/15/2024		SCALE		DOCUMENT NO.				
ECN 40199401CMO				1:16		MC-FM4-24-278					
SIZE		Auth Group		INSL		MODEL			DRAWING		
C						VERSION		STATUS		REVISION	
						00		RE		A	
						00		RE		A	
										SHEET	
										1 OF 2	

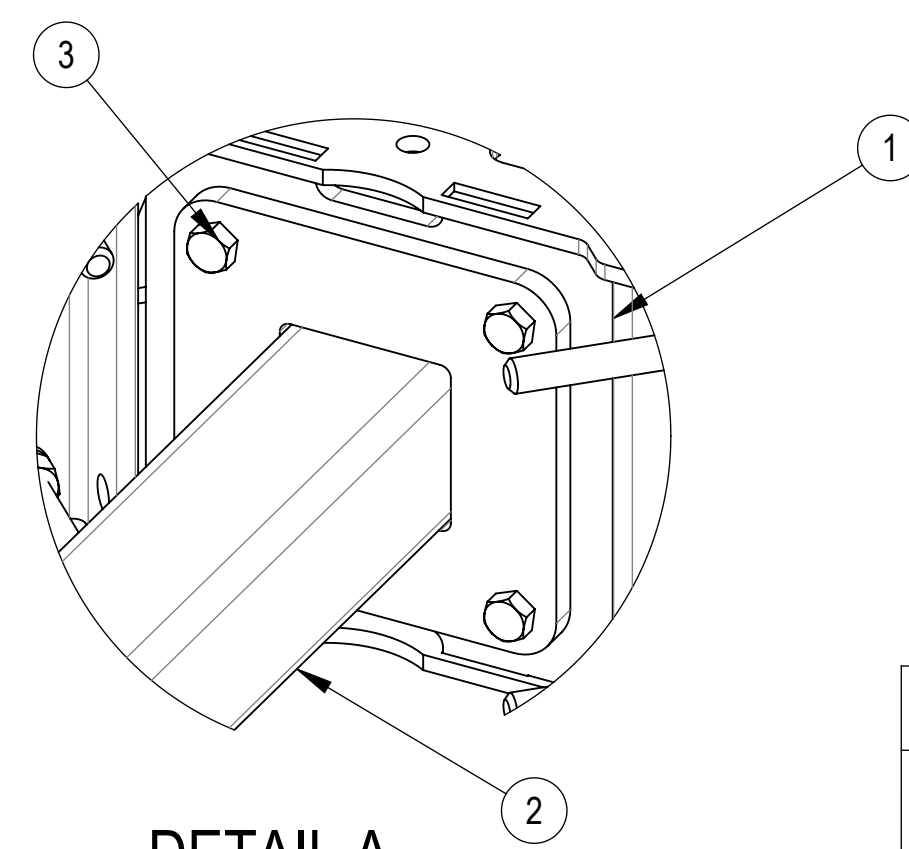
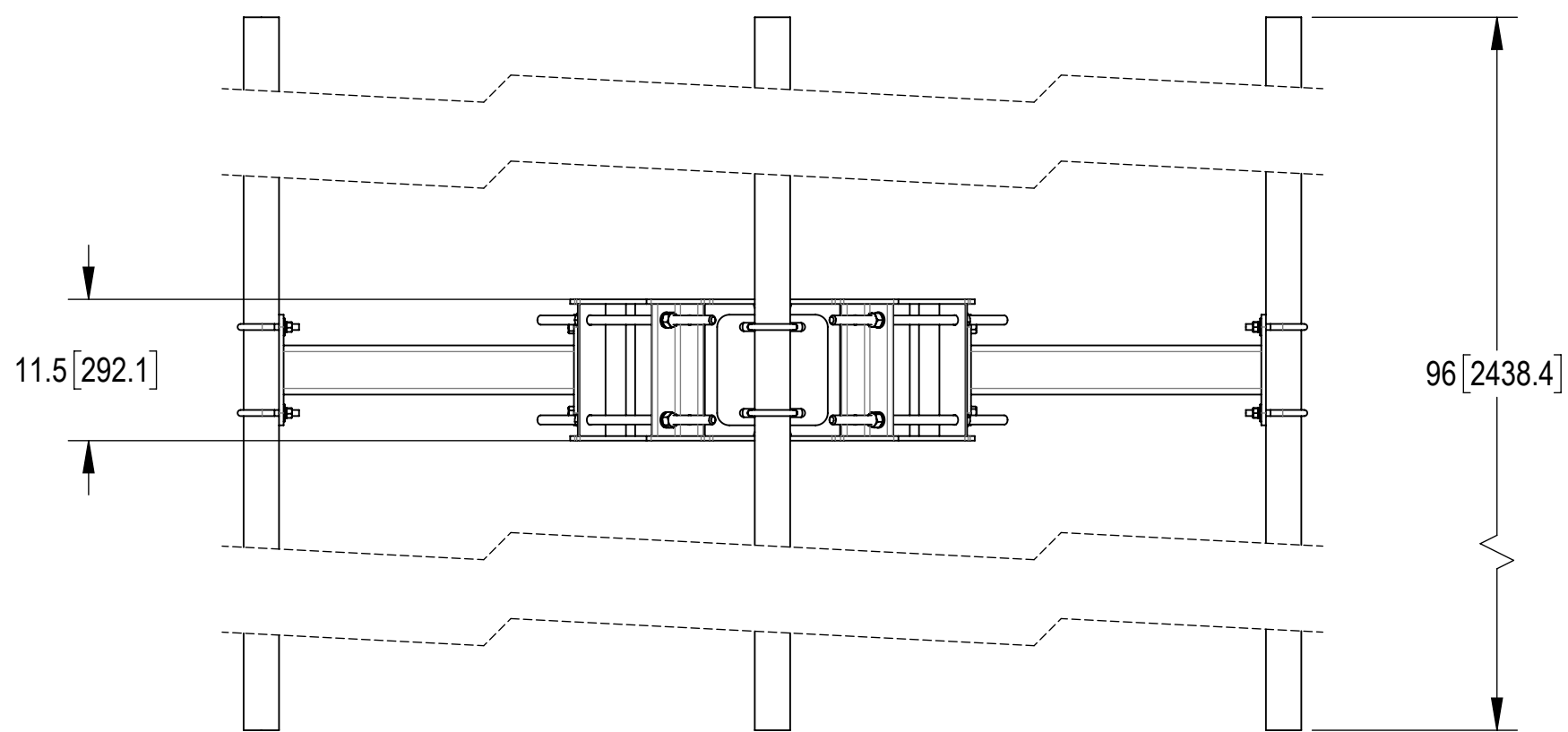
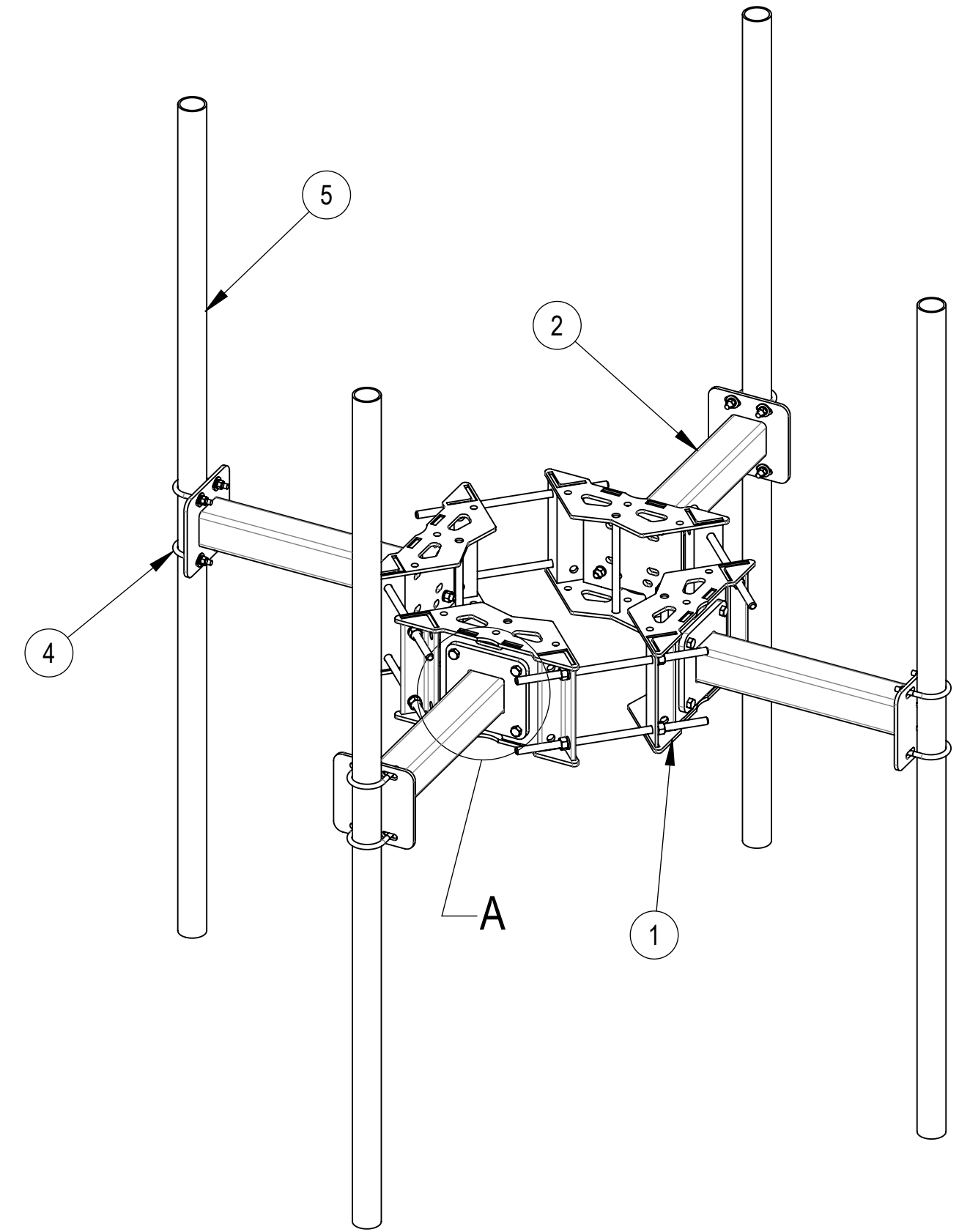
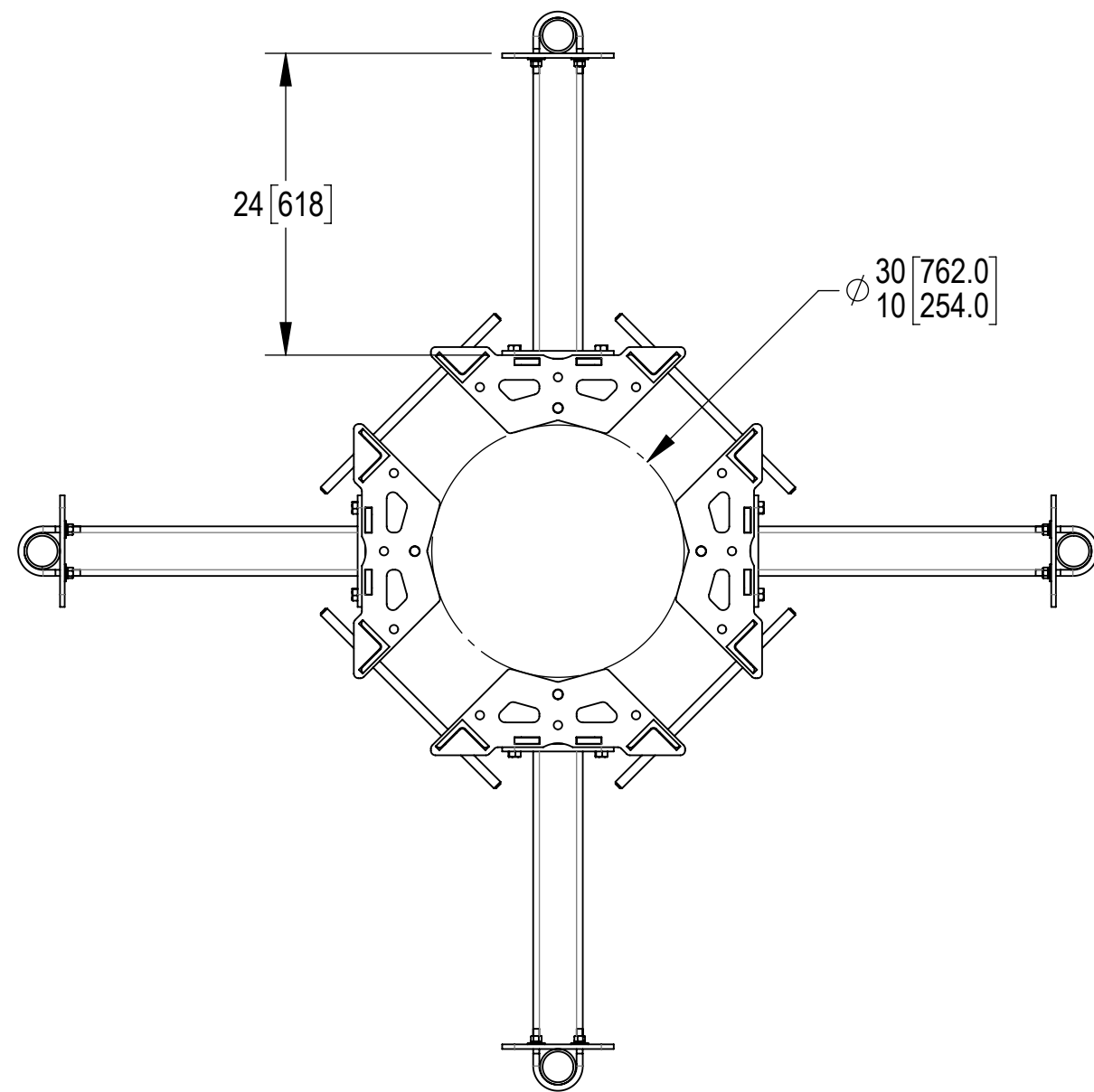
DENSITY		lbs/in ³
MASS	574.2	lbs
VOLUME	2028.4	in ³
SURFACE AREA	15292.9	in ²
HEIGHT	96"	
LENGTH	87"	
WIDTH	87"	

4

3

2

1



DETAIL A
SCALE 1 : 4

COMPONENT PART NUMBERS PROVIDED FOR ASSEMBLY PURPOSES;
INDIVIDUAL COMPONENTS MAY BE SHIPPED AS PARTS WITHIN AN INCLUDED KIT.

ITEM NO.	PART NUMBER	DESCRIPTION	QTY.	WEIGHT	NOTE NO.
1	MC-RM1030-4	FOUR SECTOR RING MOUNT, 10-30 OD	1	204.51 LBS	
2	MCSA24B01	24" STANDOFF WELDMENT	4	43.25 LBS	
3	GB-05225	5/8" X 2-1/4" GALV BOLT KIT	16	0.28 LBS	
4	GUB-4345	1/2" X 3" X 5-1/4" GALV U-BOLT	8	0.6 LBS	
5	MT54696	PIPE, 2.875"OD X 96"	4	45.96 LBS	

COMMSCOPE, INC. OF NORTH CAROLINA					
TITLE RM10-30" W/24" STANDOFF, 2-7/8 X 96, 4S					
SIZE C	SCALE 1:24	DOCUMENT NO. MC-FM4-24-278			
		DRAWING			SHEET 2 OF 2
		VERSION 00	STATUS RE	REVISION A	