

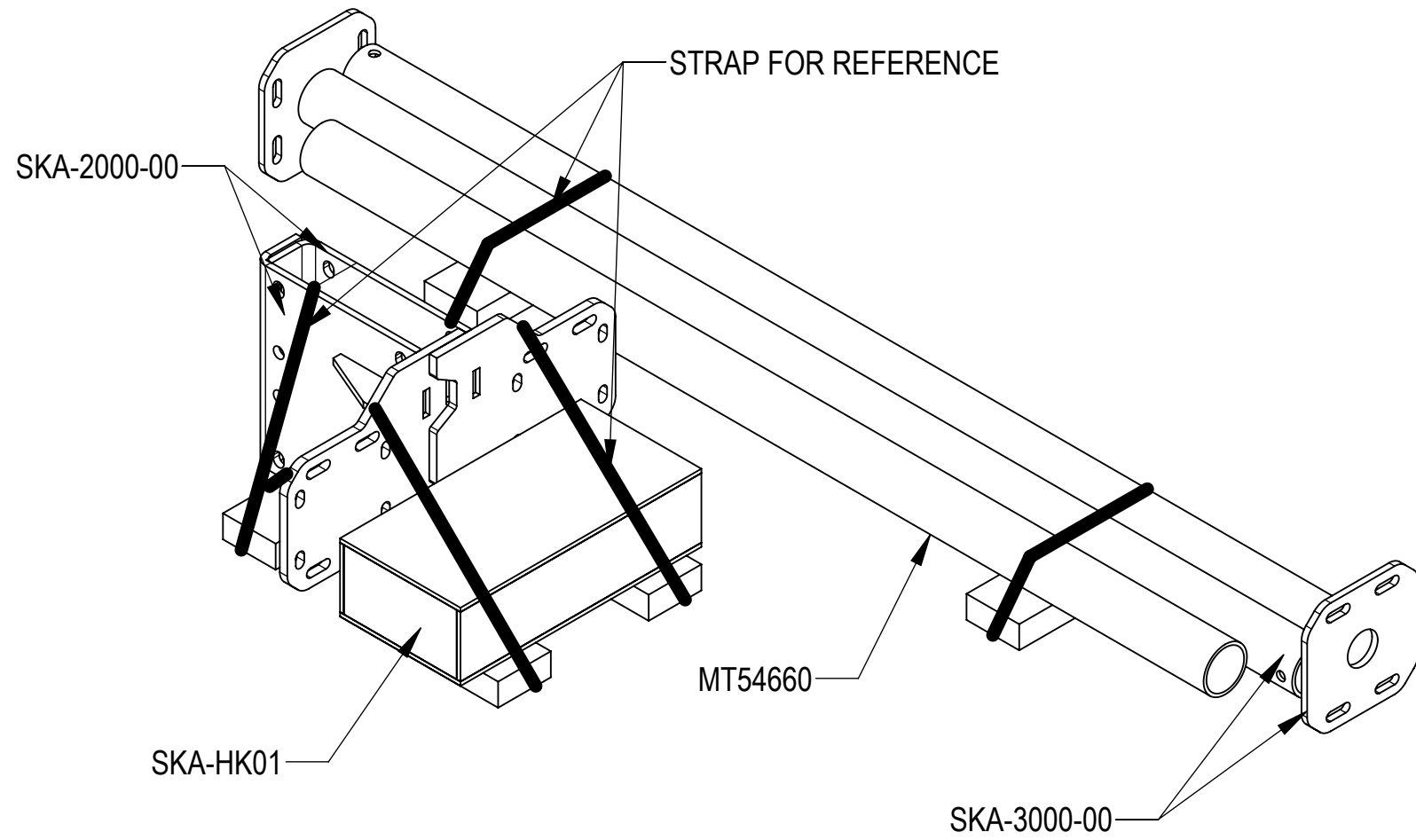
1.0 GENERAL NOTES  
 1.1 ALL METRIC DIMENSIONS ARE IN BRACKETS [X. X]  
 1.2 FOR PATENT INFO: <https://www.cs-pat.com>

2.0 DESIGN NOTES  
 2.1 ANY HAZARDS OR OBSTRUCTIONS TO THE CLIMBING FACILITY AND SAFETY CLIMB MUST BE IDENTIFIED PRIOR TO INSTALLING THE APPURTENANCE. ADDITIONAL PRODUCTS MAY BE REQUIRED TO MAINTAIN THE INTEGRITY OF THE SAFETY CLIMB. DURING INSTALLATION, TEMPORARY AND/OR PERMANENT PRECAUTIONARY MEASURES SHOULD BE TAKEN TO PRESERVE THE CLIMBING FACILITY AND/OR SAFETY CLIMB.  
 2.2 OPTIONAL TIE BACK KIT. RECOMMENDED WHEN SKEW ADAPTOR EXTENSION LENGTH IS GREATER THAN 36".  
 2.3 ENSURE THE TIE-BACK IS CONNECTED FROM THE SKEW ADAPTOR TO THE ADJACENT FACE PIPE, DO NOT CROSS OVER ANOTHER SKEW ADAPTOR. IT IS RECOMMENDED TO MAXIMIZE THE DISTANCE TO ENHANCE THE STRUCTURAL STRENGTH OF THE ASSEMBLY.  
 2.4 THE DATA PROVIDED IN THE TABLE 2 IS BASED ON THE COMMSCOPE MP-PP13M-12-96 AND COMMSCOPE MP-PP13M-12-126 PLATFORMS. FOR MORE DETAILED INFORMATION ABOUT THESE PLATFORMS, PLEASE VISIT THE COMMSCOPE WEBSITE.

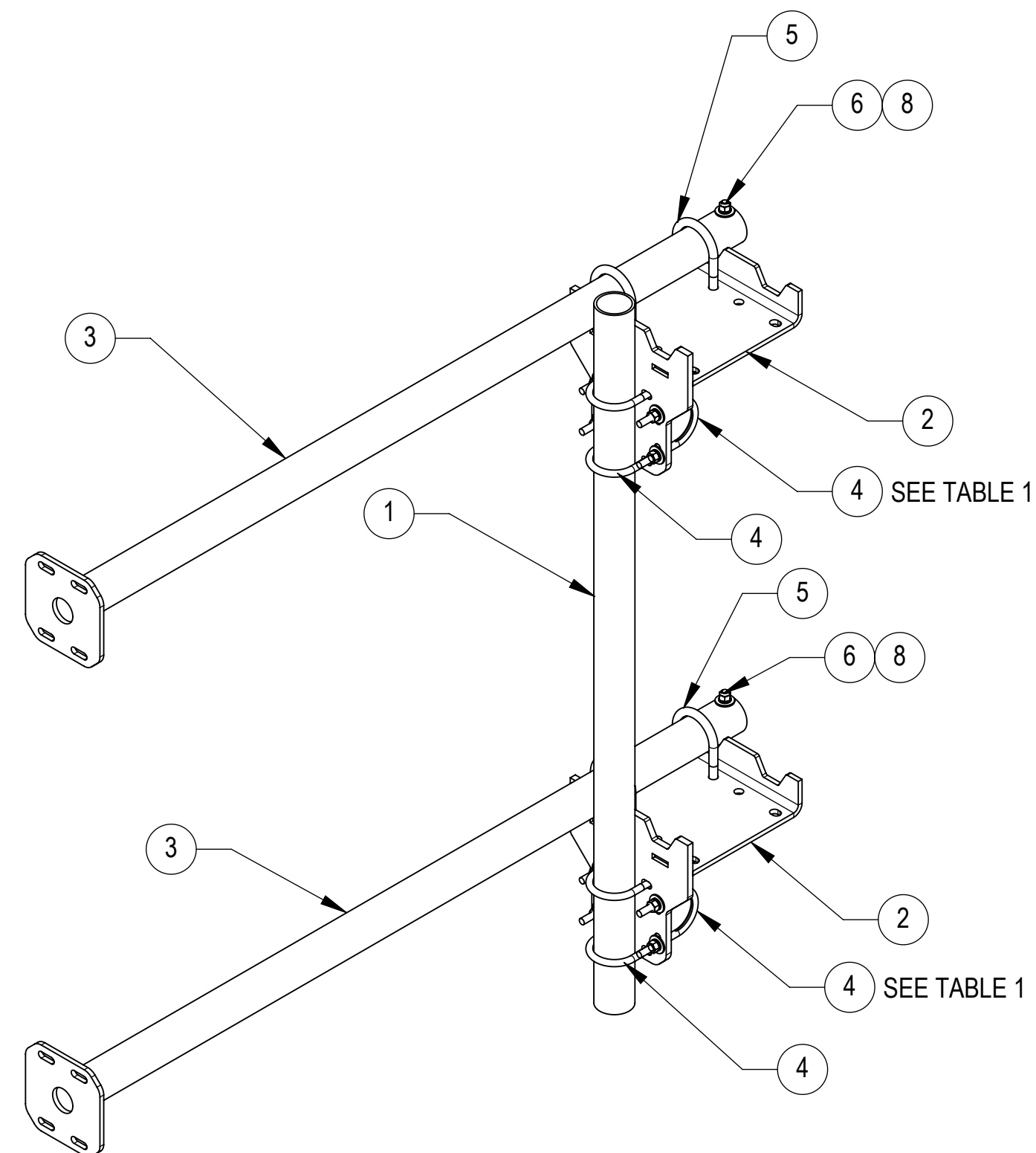
2.5 AN A&E EVALUATION IS REQUIRED FOR ANY LEGACY MOUNT USING THIS SKEW ADAPTOR.  
 3.0 MANUFACTURING/SPECIAL REQUIREMENTS  
 3.1 TIGHTEN ALL BOLTS SECURING FLAT PLATES BY THE TURN-OF-NUT METHOD. TIGHTEN ALL U-BOLTS USING TURN-OF-NUT METHOD WITH ATTENTION TO LEAVE EQUAL DISTANCE AND EQUAL FORCE ON EACH LEG OF THE U-BOLT.

4.0 TEST  
 5.0 PACKAGING  
 5.1 PACKAGING SHALL MEET COMMSCOPE REQUIREMENTS PER DOCUMENT IS-PL-3005.  
 5.2 PRINTED DOCUMENT TO BE PLACED INSIDE POLYBAG AND THEN IN SHIPPING CONTAINER.  
 5.3 EXTRA HARDWARE MAY BE SUPPLIED, BAGGED AND SHIPPED.

REVISIONS			
REV.	DESCRIPTION	DATE	APPROVED
A	INITIAL RELEASE	JL1183 01JUL24	CB1094 40199307CMO
B	ADDED SHEET 2 TO SHOW OPTIONAL ACCESSORIES	JL1183 09JUL24	CB1094 40199307CMO



PACK SHOWN



FACE PIPE	U-BOLT
Ø 2-3/8"	GUB-4240
Ø 2-7/8"	GUB-4352
Ø 3-1/2"	GUB-4355

COMPONENT PART NUMBERS PROVIDED FOR ASSEMBLY PURPOSES;  
 INDIVIDUAL COMPONENTS MAY BE SHIPPED AS PARTS WITHIN AN INCLUDED KIT.

ITEM NO.	PART NUMBER	DESCRIPTION	QTY.	WEIGHT	NOTE NO.
1	MT54660	2.875" O.D. X 60 PIPE	1	27.39 LBS	
2	SKA-2000-00	WELDMENT, SKEW ADAPTOR BRACKET	2	30.41 LBS	
3	SKA-3000-00	WELDMENT, SKEW ADAPTOR SLIDING ARM	2	36.72 LBS	
4	GUB-4352	1/2" X 3" X 5-1/4" GALV U-BOLT	8	0.71 LBS	SEE TABLE 1
5	GUB-53060	5/8" X 3" X 6" GALV U-BOLT	4	1.26 LBS	
6	GB-04365	1/2" X 3-3/4" GALV BOLT KIT	2	0.25 LBS	
8	GWF-04	1/2" GALV FLAT WASHER	2	0.04 LBS	

DENSITY	175.39	lbs/in <sup>3</sup>
MASS	175.39	lbs
VOLUME	619.11	in <sup>3</sup>
SURFACE AREA	5102.75	in <sup>2</sup>
HEIGHT	60.0"	
LENGTH	66.4"	
WIDTH	11.7"	

**COMMSCOPE, INC. OF NORTH CAROLINA**

TOLERANCES		SAP MATERIAL MASTER	
1 PLACE .X[X] ± 0.2[6.3]	3 PLACE .XXX[X] ± 0.060[1.5]	860678540	
2 PLACE .XX[X] ± 0.12[3.0]	ANGLES ± 2°		
FINISH		MATERIAL	
UNLESS OTHERWISE SPECIFIED DIMENSIONS ARE IN INCHES INTERPRET PER ANSI Y 14.5M-1994		TITLE	
CE	JL1183 01JUL24	<b>SKEW ADAPTOR, 13', 10-20 DEGREE</b>	
RW	JL1183 07/02/2024		
AD	CB1094 07/02/2024		
RE	JL1183 07/02/2024		
ECN 40199307CMO		SCALE	DOCUMENT NO.
		<b>1:8</b>	<b>860678540</b>
SIZE	Auth Group INSL	MODEL	
<b>C</b>		VERSION	DRAWING
		01	STATUS REVISION
			VERSION STATUS REVISION
			01 IW B
		SHEET 1 OF 3	

4

3

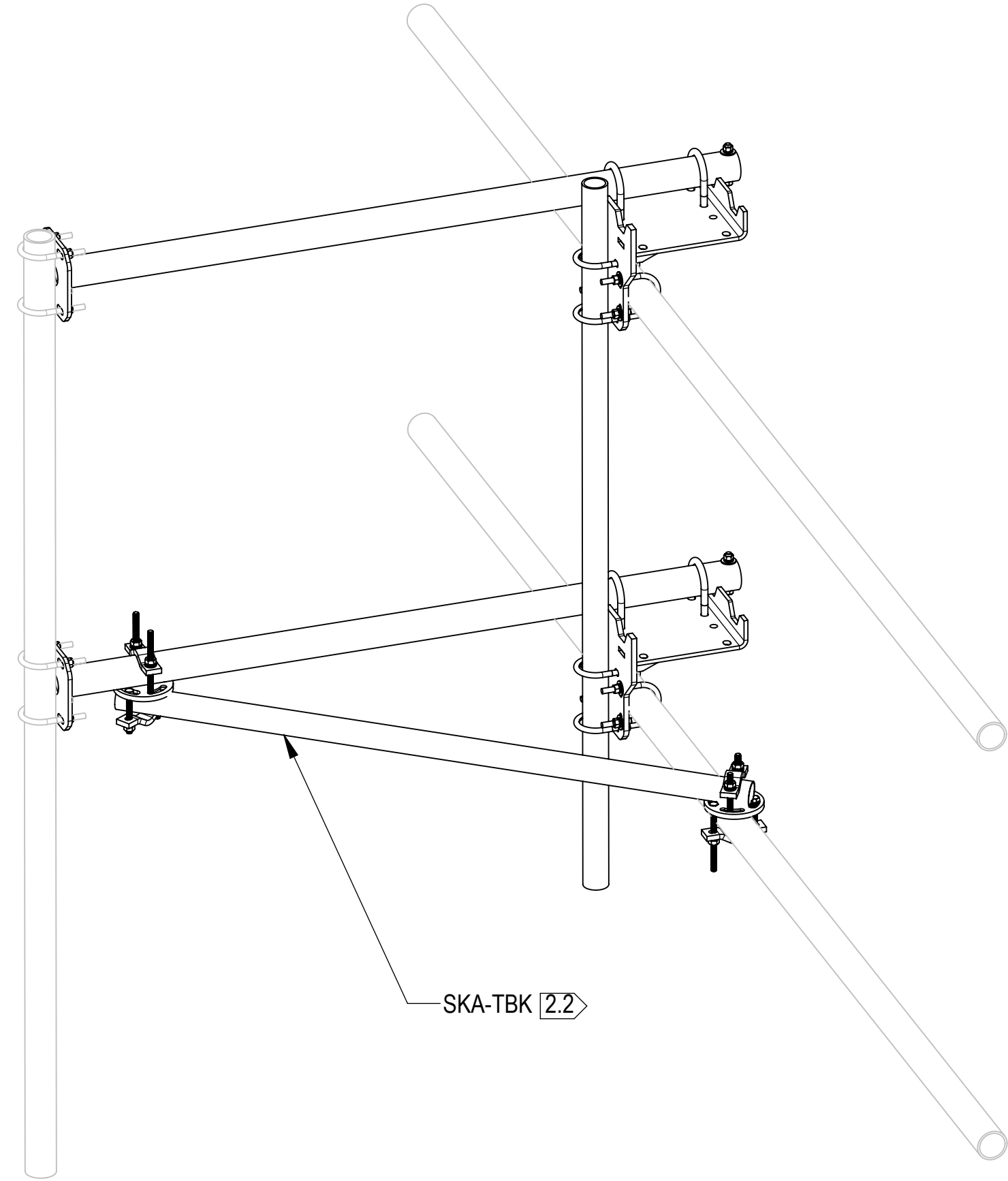
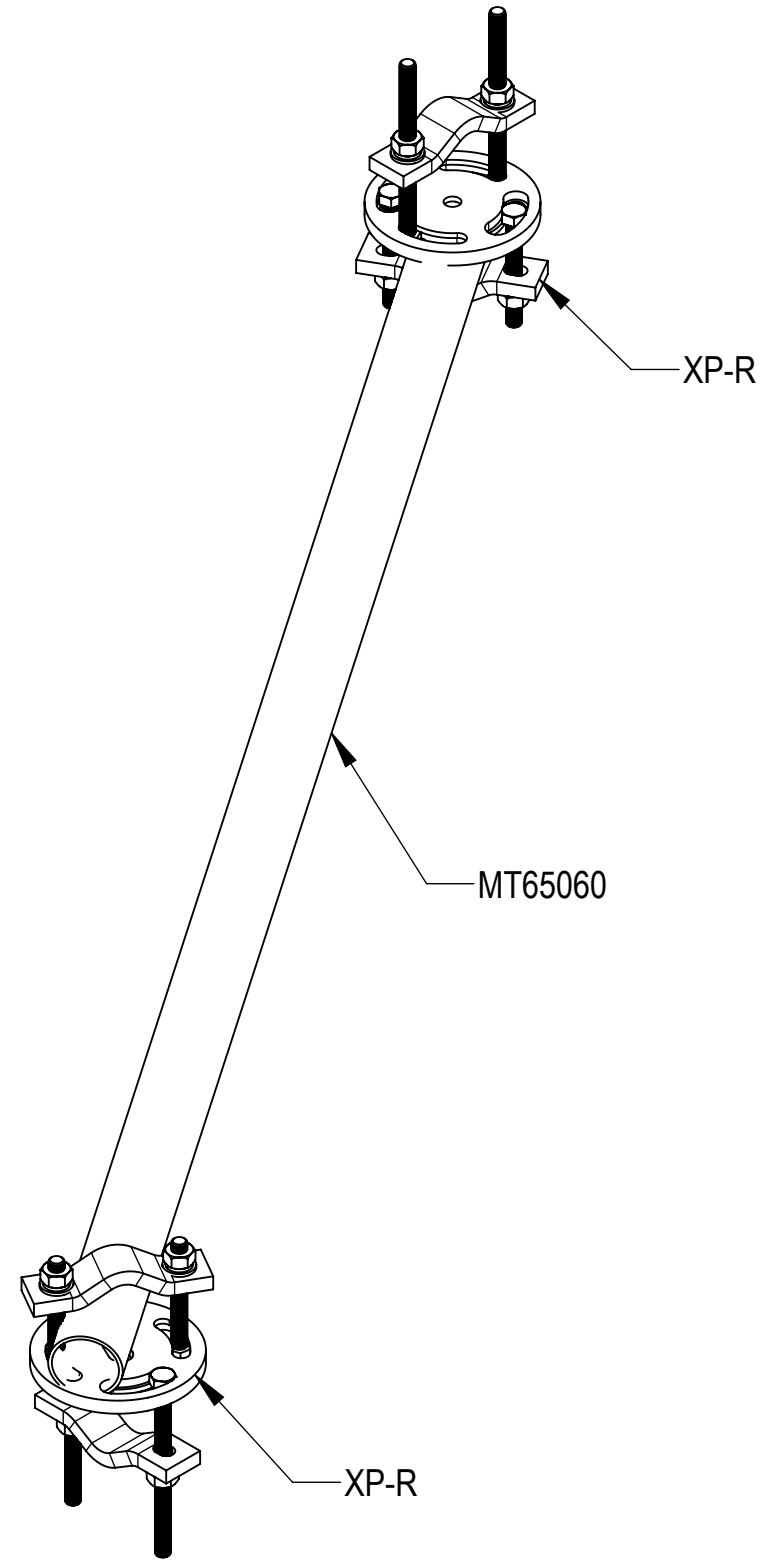
2


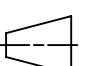
1

# OPTIONAL ACCESSORIES

(ALL THE ACCESSORY ITEMS TO BE PURCHASED SEPARATELY)

## TIE-BACK KIT: SKA-TBK



COMMSCOPE, INC. OF NORTH CAROLINA				
TITLE SKEW ADAPTOR, 13', 10-20 DEGREE				
SIZE <b>C</b>	SCALE <b>1:8</b>	DOCUMENT NO. <b>860678540</b>		
 		DRAWING		SHEET
		VERSION 01	STATUS IW	REVISION B

© 2024 CommScope, Inc. Confidential

4

3

2

1

D

D

C

C

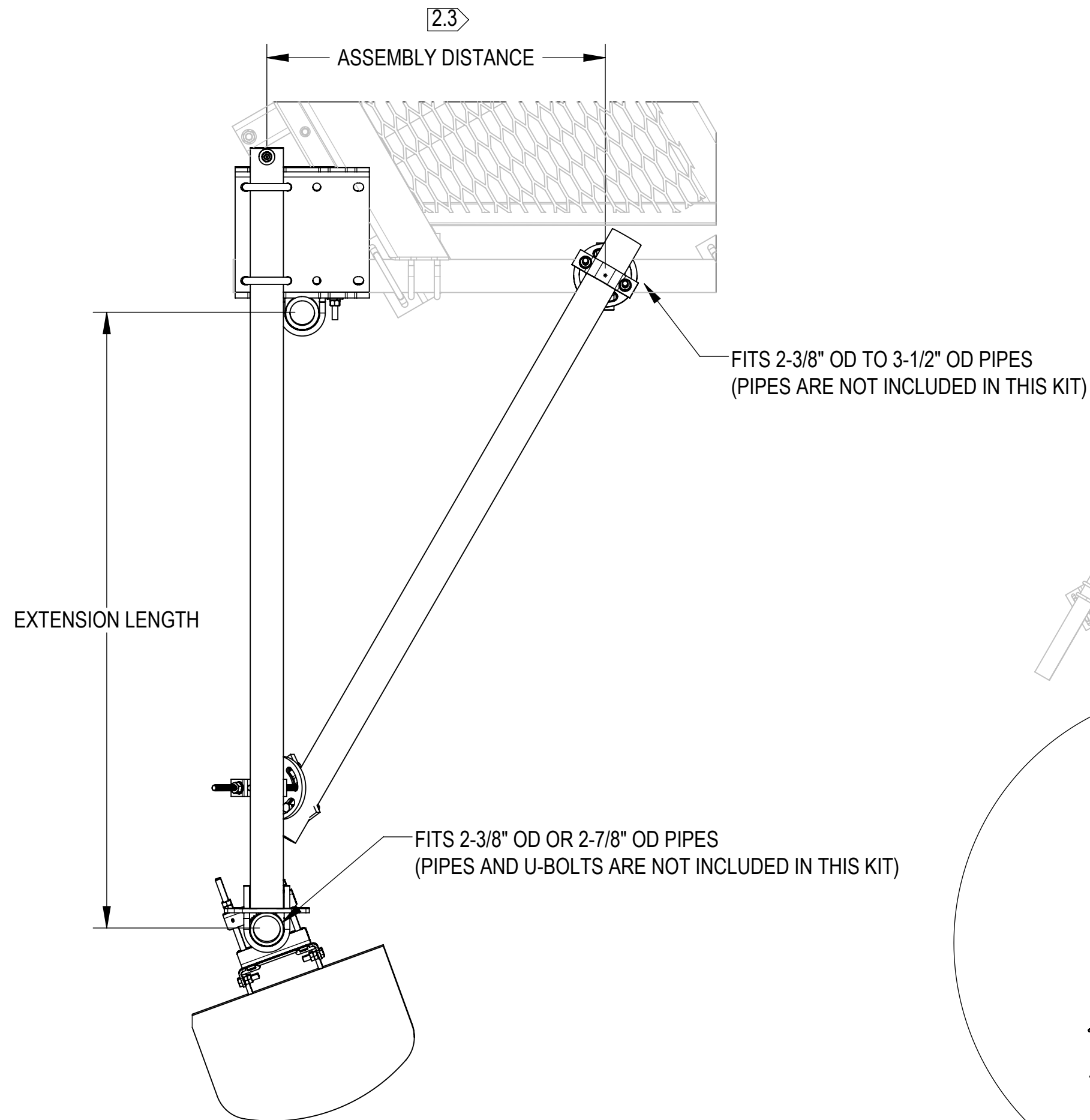
B

B

A

A

ATTACHED TO PLATFORM  
(PLATFORM SOLD SEPARATELY)



DETAIL A  
SCALE 1 : 10

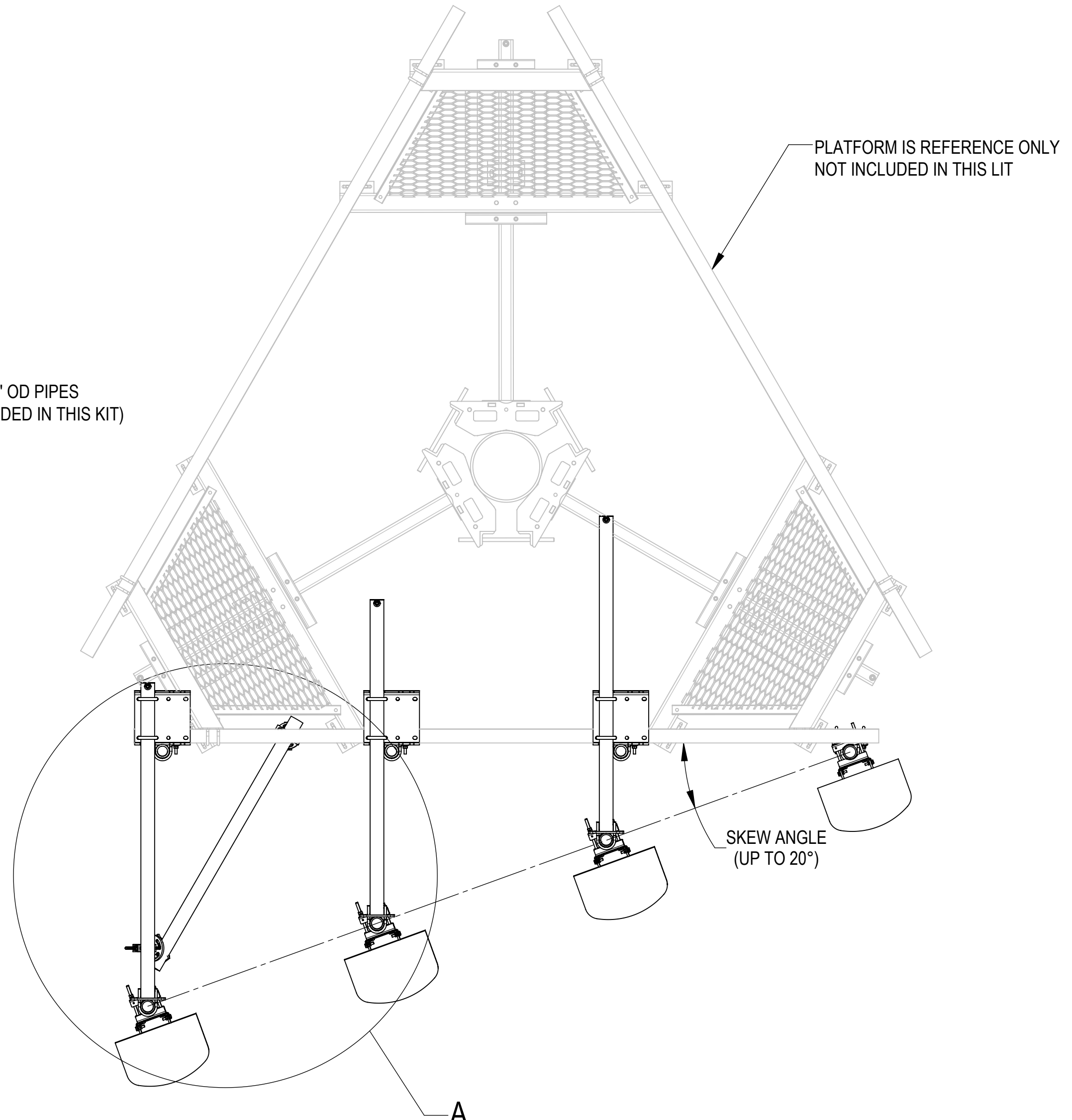


TABLE 2: LOAD CAPACITY OF PLATFORM WITH SKEW ADAPTOR EXTENSIONS AT DIFFERENT SKEW ANGLES 2.4

SKEW ANGLE	EXTENSION LENGTH	TIE-BACK REQUIRED	PLATFORM M-RATING
0°	NO EXTENSION	NO	M2350R(3400)-4[6]
12°	UP TO 31.3" EXTENSION	NO	M1900R(2600)-4[6]
16°	UP TO 42.2" EXTENSION	YES	M1900R(2400)-4[6]
20°	UP TO 53.5" EXTENSION	YES	M1800R(1950)-4[6]

COMMSCOPE, INC. OF NORTH CAROLINA				
TITLE SKEW ADAPTOR, 13', 10-20 DEGREE				
SIZE C	SCALE 1:48	DOCUMENT NO. 860678540		
		DRAWING		SHEET 3 OF 3
		VERSION 01	STATUS IW	