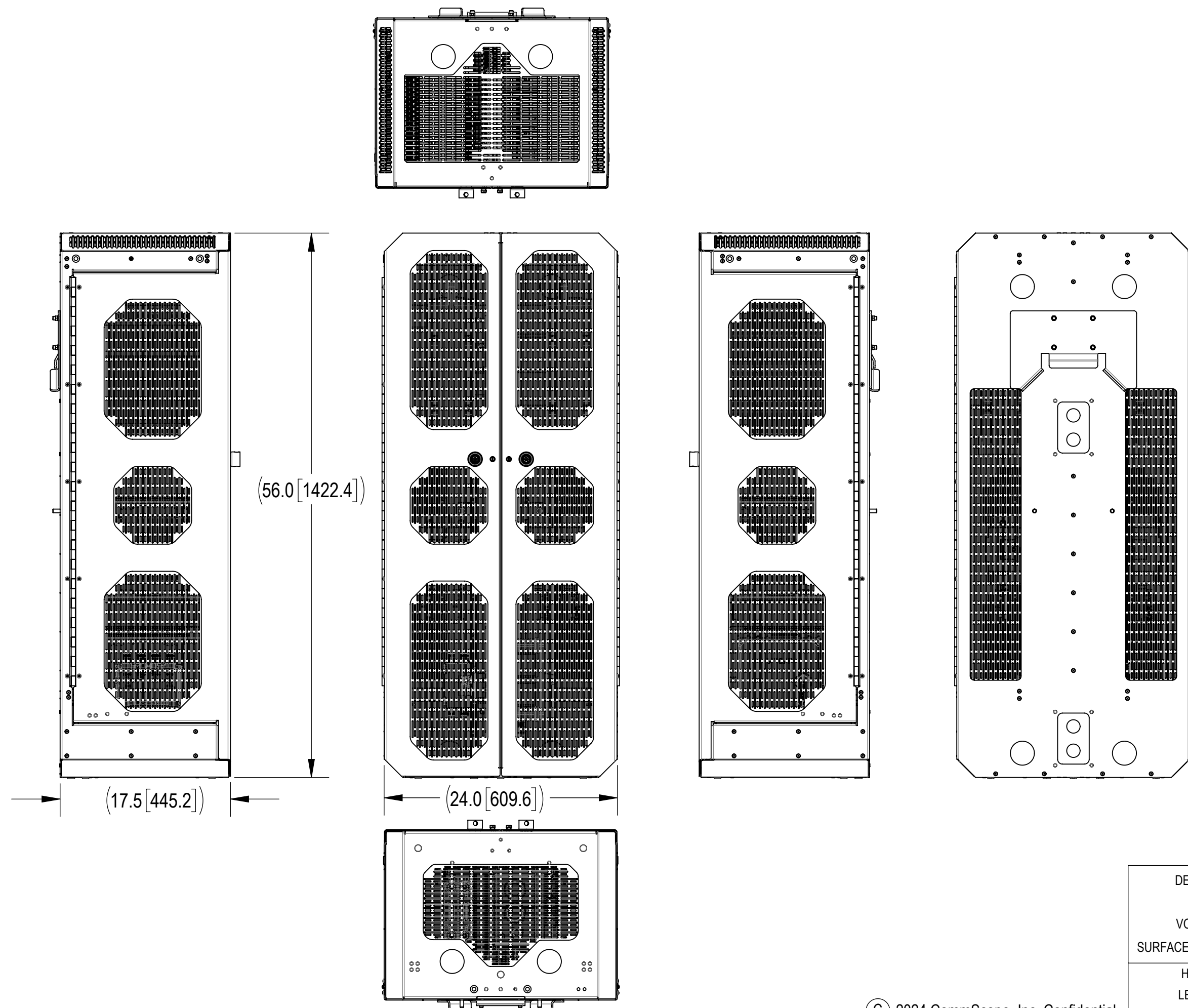
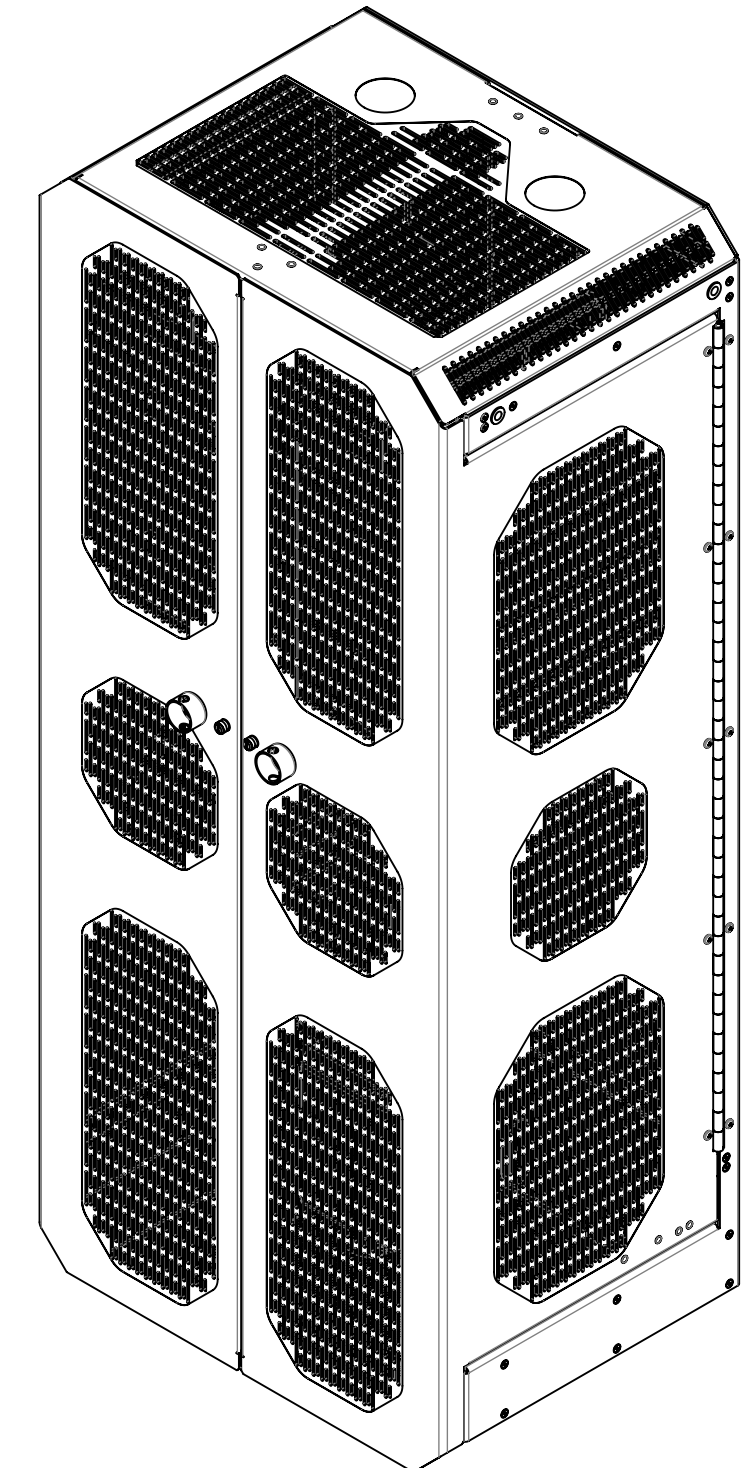


1. GENERAL NOTES
 - 1.1 ALL METRIC DIMENSIONS ARE IN BRACKETS
 - 1.2 FEATURES CRITICAL TO QUALITY ARE INDICATED IN ROUNDED BOX (XX)
2. DESIGN NOTES
3. MANUFACTURING/SPECIAL REQUIREMENTS
 - 3.1 POWDER COAT PER COMMSCOPE'S PRODUCT COLOR/FINISH SPECIFICATION MTM1004 PER SUFFIX -XX.
 - 3.2 "ANTI-SEIZE" SHALL BE USED ON ALL STAINLESS TO STAINLESS HARDWARE CONNECTIONS
 - 3.3 "No-OX" SHALL BE USED ON ALL CHASSIS TO GROUND CABLE CONNECTIONS
 - 3.4 DO NOT TORQUE DOOR HARDWARE, ONLY SNUG TO SEAT
 - 3.5 TORQUE HARDWARE ACCORDING TO SIZE AS NOTED BELOW.
 - M5: TORQUE 23.0 IN-LB or 2.6 N-M
 - M6: TORQUE 40.0 IN-LB or 4.5 N-M (w/ clip nut)
 - M6: TORQUE 46.0 IN-LB or 5.2 N-M (w/ threaded cast al)
 - M8: TORQUE 6.6 FT-LB or 9.0 N-M (w/ threaded cast al)
 - M10: TORQUE 16.2 FT-LB or 22 N-M (w/ threaded cast al)
4. TEST
5. PACKAGING
 - 5.1 PACKAGING SHALL MEET COMMSCOPE REQUIREMENTS PER DOCUMENT IS-PL-3005
6. SHOWN FOR REFERENCE ONLY

| REVISIONS | | | |
|-----------|---|-------------------|-----------------------|
| REV. | DESCRIPTION | DATE | APPROVED |
| A.1 | PROTOTYPE RELEASE | TN1010 06MAR21 | JW1064 10937 |
| A.2 | INITIAL RELEASE | TN1010 21MAY21 | JW1064 10937 |
| B | UPDATED VIEW FOR MTM1137-1000-XX AND RRU BARCKET MTM1137-3110,MTM1137-3112 | ZL1057 29MAY23 | TN1010 40168127CMO |
| C | ADDED SHEET 2 TO SHOW ALL ERICSSON RADIO CONFIGURATIONS; ADDED NOTE 3.6 | YC1059 20MAR24 | SH1132 40191564CMO |
| D | ADDED CONFIGURATION 18 TO 26 ON SHEET 2; ADDED NOTE 3.7, 3.8 | DM1121 21MAY24 | JX1002 40196129CMO |
| E | ADDED CONFIGURATION 27 TO 30, ADDED FAN KITS FOR CONFIGURATION 11 & 15 AND ADDED 860665492-AMK-006 FOR CONFIGURATION 18 TO 26 IN THE RADIO TABLE ON SHEET 2 | NSUN 12JUL24 | JX1002 40199231CMO |

1/4-20: TORQUE 4.8 ft-LB or 6.6 N-M
 3/8-16: TORQUE 19.6 ft-LB or 26.6 N-M
 ALL BOLTS 1/2" DIAMETER OR LARGER SHALL BE TIGHTENED SNUG TIGHT, DEFINED AS THE CONDITION OBTAINED WITH A FEW IMPACTS OF AN IMPACT WRENCH OR THE FULL EFFORT OF AN IRONWORKER USING AN ORDINARY SPUD WRENCH TO BRING THE CONNECTED PLIES INTO FIRM CONTACT

3.6 CONFIGURATIONS AND QUANTITY OF EQUIPMENTS IN INSTALLATION ARE LISTED ON TABLE



| | | |
|--------------|--------------|---------------------|
| DENSITY | 283.27 | lbs/in ³ |
| MASS | 283.27 | lbs |
| VOLUME | 5875.67 | in ³ |
| SURFACE AREA | 34519.37 | in ² |
| HEIGHT | 56.0[1422.4] | |
| LENGTH | 24.0[609.6] | |
| WIDTH | 17.5[445.2] | |

COMMSCOPE, INC. OF NORTH CAROLINA

| | | | |
|---|------------------------------|---------------------|------------------------------------|
| TOLERANCES | | SAP MATERIAL MASTER | |
| 1 PLACE .X[X] ± 0.2[5.0] | 3 PLACE .XXX[X] ± 0.063[1.6] | SSC-760251532E1X | |
| 2 PLACE .XX[X] ± 0.13[3.3] | ANGLES ± 1.0° | | |
| FINISH | | MATERIAL | |
| UNLESS OTHERWISE SPECIFIED DIMENSIONS ARE IN INCHES INTERPRET PER ANSI Y 14.5M-1994 | | TITLE | |
| CE | TN1010 | 03/06/2021 | INSTALLATION, ENCLASURE, DBHP, ERC |
| RW | NSUN | 07/12/2024 | |
| RV | | | |
| AD | JX1002 | 07/15/2024 | |
| RE | DM1121 | 07/15/2024 | |
| ECN 40199231CMO | | SCALE | DOCUMENT NO. |
| | | 1:12 | 760251532_INSTALL |
| SIZE | WORK AREA | INSL | MODEL |
| C | | | |
| | | VERSION | DRAWING |
| 04 | RE | E | 04 |
| | | STATUS | REVISION |
| RE | E | 04 | E |
| | | | SHEET |
| | | | 1 OF 8 |

4

3

2

1

3.7 X IS A VARIABLE FOR COLOR,KIT SHOULD BE COLOR MATCHED TO ENCLOSURE DEPLOYED ON SITE.
 3.8 HAND TOOLS ARE THE PREFERRED METHOD OF INSTALTION OF ALL HARDWARE IN THIS INSTALLATION

| CONFIGURATION | AMK REQUIRED | 3.6 APPROVED ERICSSON RADIO CONFIGURATIONS | | | | | REQUIRED ADDITIONAL AMK FOR CONFIGURATION (PURCHASED SEPARATELY) | |
|---------------|-------------------|--|-------------------------|-------------------------|---------------------------|---|--|------------------------|
| | | EQUIPMENT 1 | EQUIPMENT 2 | EQUIPMENT 3 | EQUIPMENT 4 | EQUIPMENT 5 | EQUIPMENT 6 | EQUIPMENT 7 |
| 1 | NONE | RRU 8843 | RRU 4449 | PSU AC08 (QTY 4) | QUAD DIPLEXER SDX1926Q-43 | RAYCAP "RSCAC SERIES" | | |
| 2 | 860664550-AMK-001 | RRU 4455 | RRU 4435 | | | RAYCAP "RSCAC SERIES" | | |
| 3 | | RRU 4455 | RRU 4449 | PSU AC08 (QTY 2) | QUAD DIPLEXER SDX1926Q-43 | RAYCAP "RSCAC SERIES" | | |
| 4 | | RRU 4426 | RRU 4449 | PSU AC08 (QTY 3) | | RAYCAP "RSCAC SERIES" | | |
| 5 | | RRU 8843 | RRU 4478 | PSU AC08 (QTY 3) | | RAYCAP "RSCAC SERIES" | | |
| 6 | | 860665492-AMK-003 | DAS RRU CAP-H-9 (QTY 2) | | | | | |
| 7 | 860665492-AMK-004 | RRU 8843 | RRU 4449 | PSU AC08 (QTY 4) | QUAD DIPLEXER SDX1926Q-43 | RAYCAP "RSD-F SERIES" | | |
| 8 | 860665492-AMK-005 | PRIMEX P700 FIBER PATCH PANEL | BBU 6347 | PSU DELTA 3.0KW (QTY 4) | | | | |
| 9 | | PRIMEX P700 FIBER PATCH PANEL | BBU 6347 | PSU 6304 (QTY 4) | | | | |
| 10 | 860665492-AMK-006 | RRU 4490 | RRU 4890 | PSU AC08 (QTY 2) | QUAD DIPLEXER SDX1926Q-43 | RAYCAP "RSCAC SERIES" | | |
| 11 | | RRU 4490 | RRU 4890 | PSU 6308 | QUAD DIPLEXER SDX1926Q-43 | RAYCAP "RSCAC SERIES" | | 3.7 860661736-MV2-C03X |
| 12 | | RRU 4490 | RRU 4890 | PSU 6304 | QUAD DIPLEXER SDX1926Q-43 | RAYCAP "RSCAC SERIES" | | |
| 13 | | RRU 4490 | RRU 4890 | PSU 6302 | QUAD DIPLEXER SDX1926Q-43 | RAYCAP "RSCAC SERIES" | | |
| 14 | | RRU 4490 | RRU 4890 | PSU AC08 (QTY 2) | | RAYCAP "RSCAC SERIES" | | |
| 15 | | RRU 4490 | RRU 4890 | PSU 6308 | | RAYCAP "RSCAC SERIES" | | 3.7 860661736-MV2-C03X |
| 16 | | RRU 4490 | RRU 4890 | PSU 6304 | | RAYCAP "RSCAC SERIES" | | |
| 17 | | RRU 4490 | RRU 4890 | PSU 6302 | | RAYCAP "RSCAC SERIES" | | |
| 18 | 860665492-AMK-007 | RRU 4490 | RRU 4890 | RRU 4467 | PSU 6308 | PTS 90X21 | 860665492-AMK-006 | 3.7 860661736-MV2-C03X |
| 19 | | RRU 4490 | RRU 4890 | RRU 8863 | PSU 6308 | PTS 90X21 | 860665492-AMK-006 | 3.7 860661736-MV2-C03X |
| 20 | | RRU 4490 | RRU 4890 | RRU 4435 | PSU 6308 | PTS 90X21 | 860665492-AMK-006 | 3.7 860661736-MV2-C03X |
| 21 | | RRU 4490 | RRU 4890 | RRU 8863 | PSU 6308 | RAYCAP "RSD-F SERIES" OR "RSCAC SERIES" | 860665492-AMK-006 | 3.7 860661736-MV2-C03X |
| 22 | | RRU 4490 | RRU 4890 | RRU 4435 | PSU 6308 | RAYCAP "RSD-F SERIES" OR "RSCAC SERIES" | 860665492-AMK-006 | 3.7 860661736-MV2-C03X |
| 23 | | RRU 4490 | RRU 4890 | RRU 4467 | PSU 6308 | RAYCAP "RSD-F SERIES" OR "RSCAC SERIES" | 860665492-AMK-006 | 3.7 860661736-MV2-C03X |
| 24 | | RRU 4490 | RRU 4890 | RRU 8863 | PSU 6308 | | 860665492-AMK-006 | 3.7 860661736-MV2-C03X |
| 25 | | RRU 4490 | RRU 4890 | RRU 4435 | PSU 6308 | | 860665492-AMK-006 | 3.7 860661736-MV2-C03X |
| 26 | | RRU 4490 | RRU 4890 | RRU 4467 | PSU 6308 | | 860665492-AMK-006 | 3.7 860661736-MV2-C03X |
| 27 | | 860665492-AMK-008 | RRU 8843 | RRU 4449 | 220x or 440x | PSU 6308 | FIBER PATCH PANEL CFIT-FC24D0-RJ | 860665492-AMK-006 |
| 28 | RRU 8843 | | RRU 4490 | 220x or 440x | PSU 6308 | FIBER PATCH PANEL CFIT-FC24D0-RJ | 860665492-AMK-006 | 3.7 860661736-MV2-C03X |
| 29 | RRU 4449 | | RRU 4890 | 220x or 440x | PSU 6308 | FIBER PATCH PANEL CFIT-FC24D0-RJ | 860665492-AMK-006 | 3.7 860661736-MV2-C03X |
| 30 | RRU 4490 | | RRU 4890 | 220x or 440x | PSU 6308 | FIBER PATCH PANEL CFIT-FC24D0-RJ | 860665492-AMK-006 | 3.7 860661736-MV2-C03X |

| | | | | | | | | | | | |
|--|--------|----------|--|--|--|---|--|--|--|--|--------|
| <p>COMMSCOPE, INC. OF NORTH CAROLINA</p> <p>TITLE</p> <p>INSTALLATION,ENCLASURE,DBHP,ERC</p> | | | | | | <p>SIZE</p> <p>C</p> | | <p>SCALE</p> <p>1:12</p> | | <p>DOCUMENT NO.</p> <p>760251532_INSTALL</p> | |
| | | | | | |  | | <p>DRAWING</p> <table border="1"> <tr> <td>VERSION</td> <td>STATUS</td> <td>REVISION</td> </tr> <tr> <td>04</td> <td>RE</td> <td>E</td> </tr> </table> | | VERSION | STATUS |
| VERSION | STATUS | REVISION | | | | | | | | | |
| 04 | RE | E | | | | | | | | | |

4

3

2

1

4

3

2

1

ERICSSON CONFIGURATION RRU 8843 & 4449

56.0 [1422.4]

RRU 8843

RRU 4449

42.01 [1067.1]

SSC-PSU-ERC-AC08
SSC-PSU-ERC-AC08

SSC-PSU-ERC-AC08
SSC-PSU-ERC-AC08

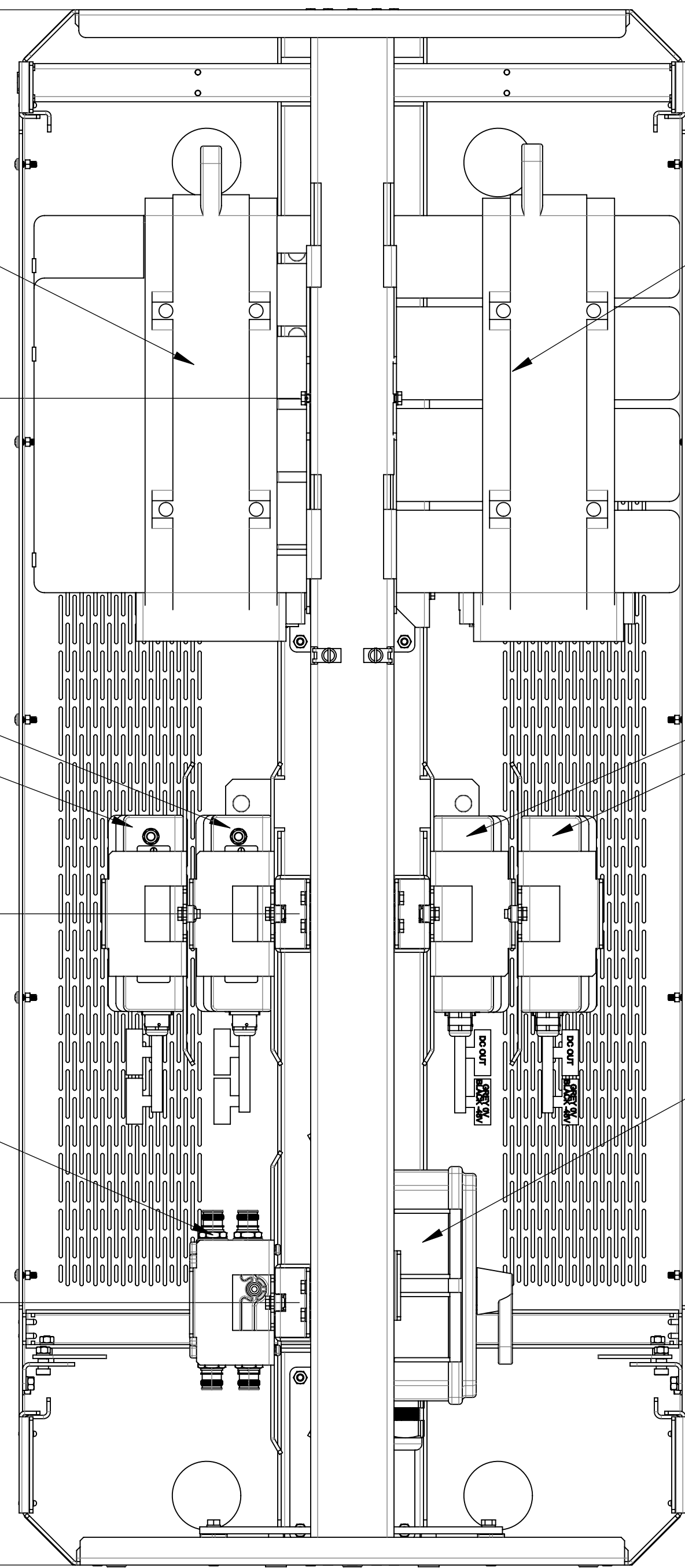
23.4 [595.6]

QUAD DIPLEXER

RAYCAP DISCONNECT

9.4 [240.0]

0 [0.0]



| | | | | |
|--|---------------|-----------------------------------|--------|----------|
| COMMSCOPE, INC. OF NORTH CAROLINA | | | | |
| TITLE INSTALLATION,ENCLASURE,DBHP,ERC | | | | |
| SIZE C | SCALE 1:12 | DOCUMENT NO. 760251532_INSTALL | | |
| | | DRAWING | | SHEET |
| | | VERSION | STATUS | REVISION |
| | | 04 | RE | E |
| | | | | 3 OF 8 |

4

3

2

1

D

D

C

C

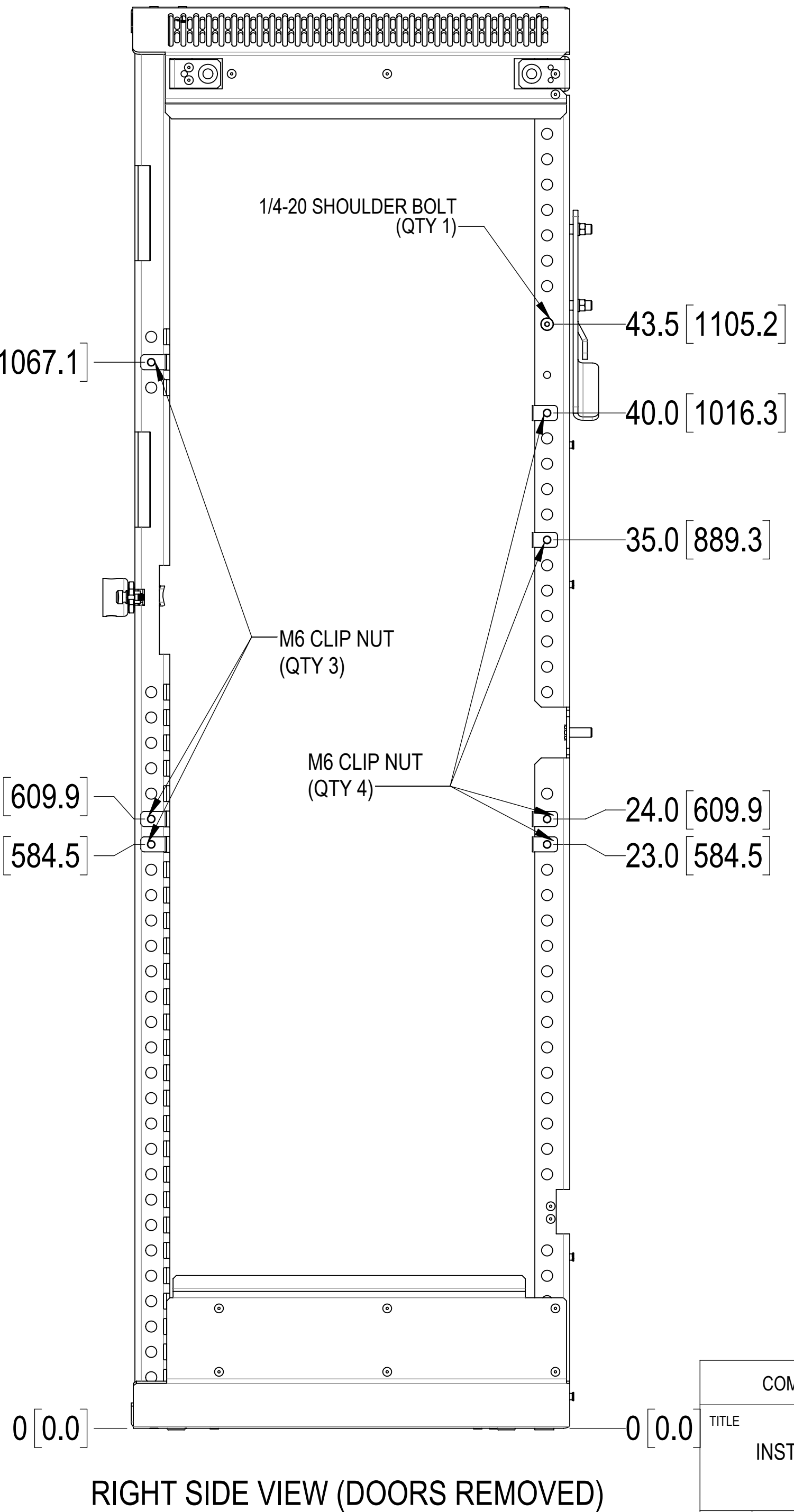
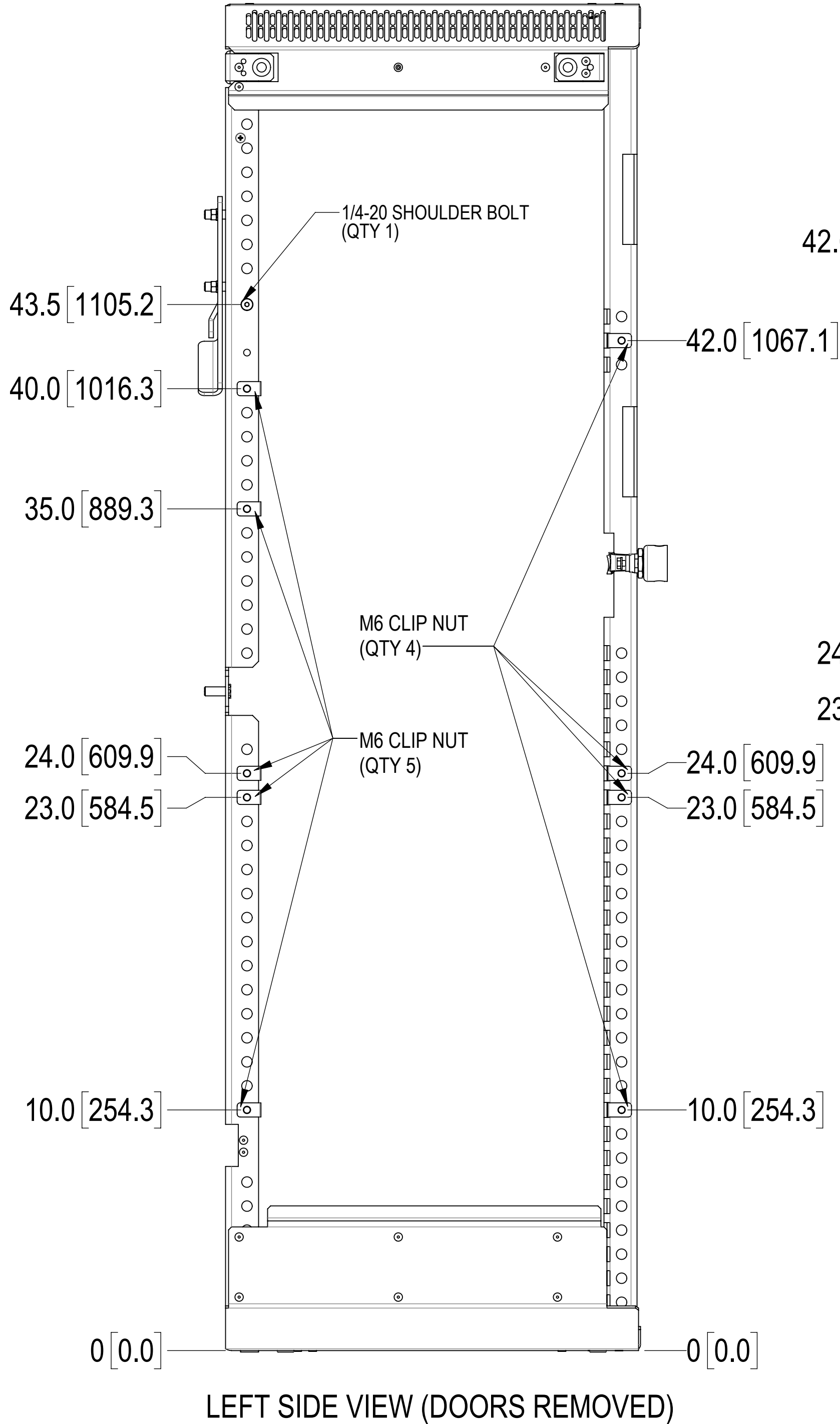
B

B

A

A

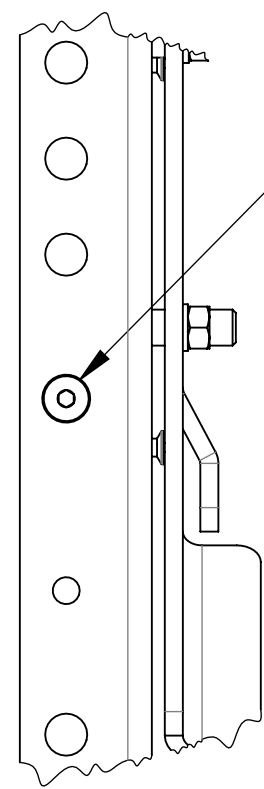
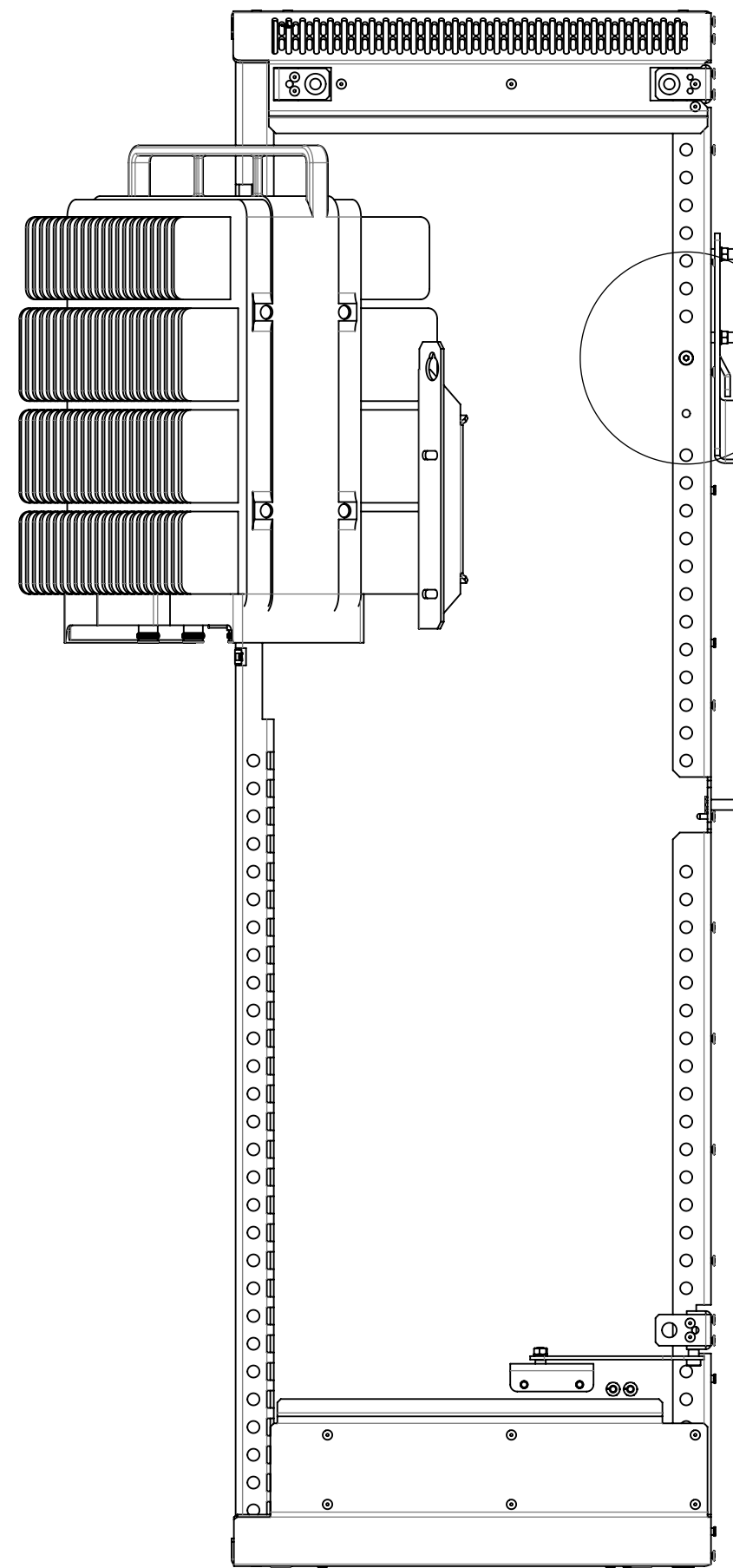
HARDWARE INSTALLATION



RIGHT SIDE VIEW (DOORS REMOVED)

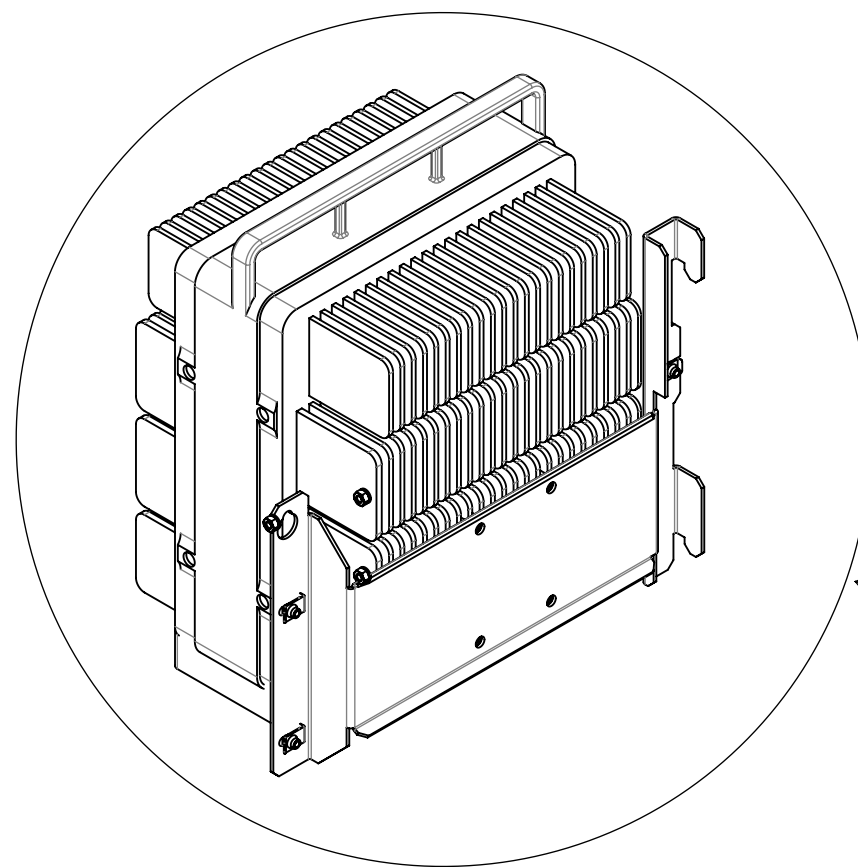
| | | | |
|---|---------------|-----------------------------------|--------|
| COMMSCOPE, INC. OF NORTH CAROLINA | | | |
| TITLE INSTALLATION, ENCLASURE, DBHP, ERC | | | |
| SIZE C | SCALE 1:12 | DOCUMENT NO. 760251532_INSTALL | |
| DRAWING | | | SHEET |
| VERSION 04 | STATUS RE | REVISION E | 4 OF 8 |

RRU INSTALLATION

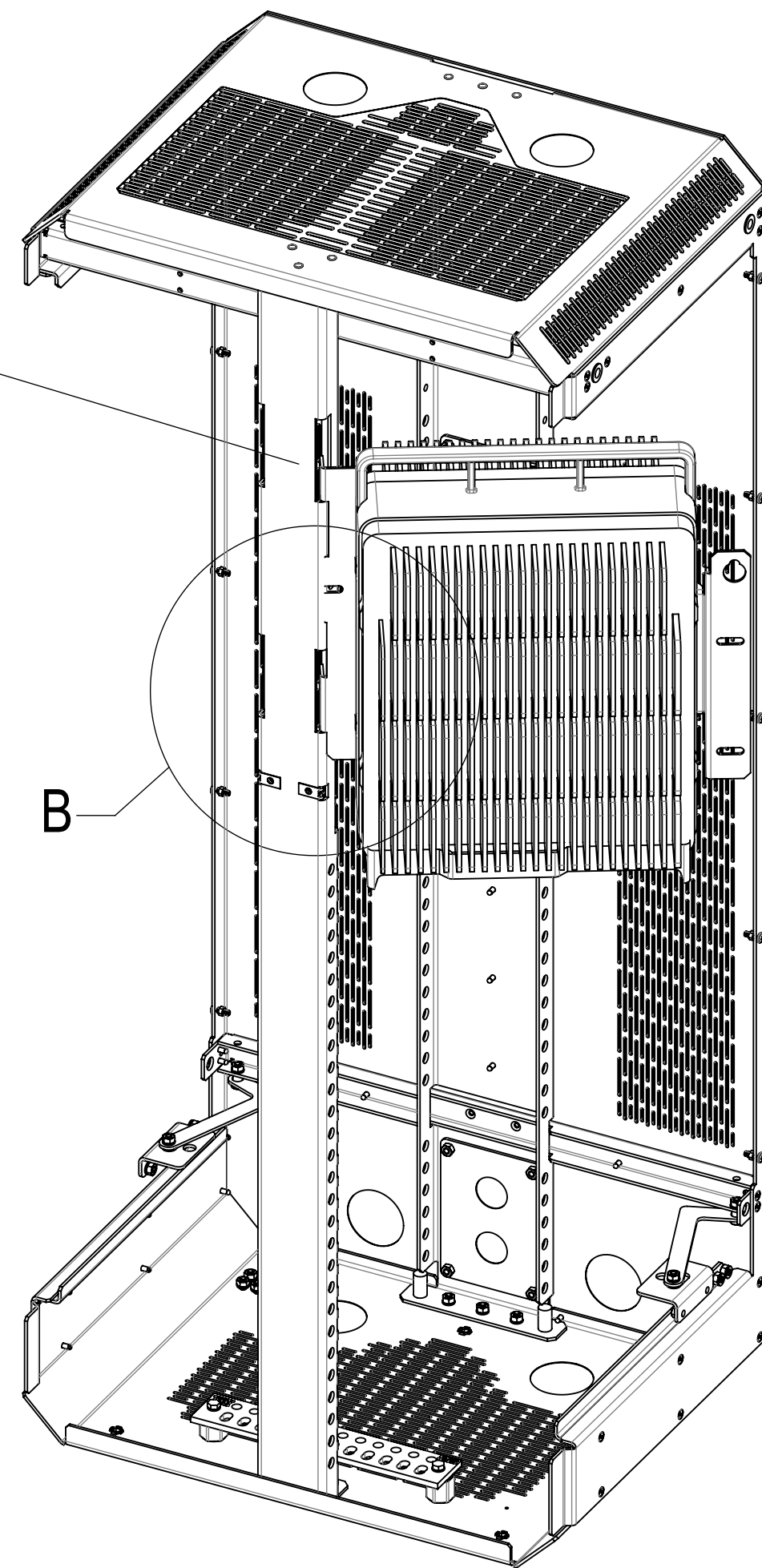


DETAIL A
SCALE 1 : 2

STEP 1. INSTALL SHOULDER BOLT IN TOP LOCATION AS SHOWN (SEE SHEET 4)



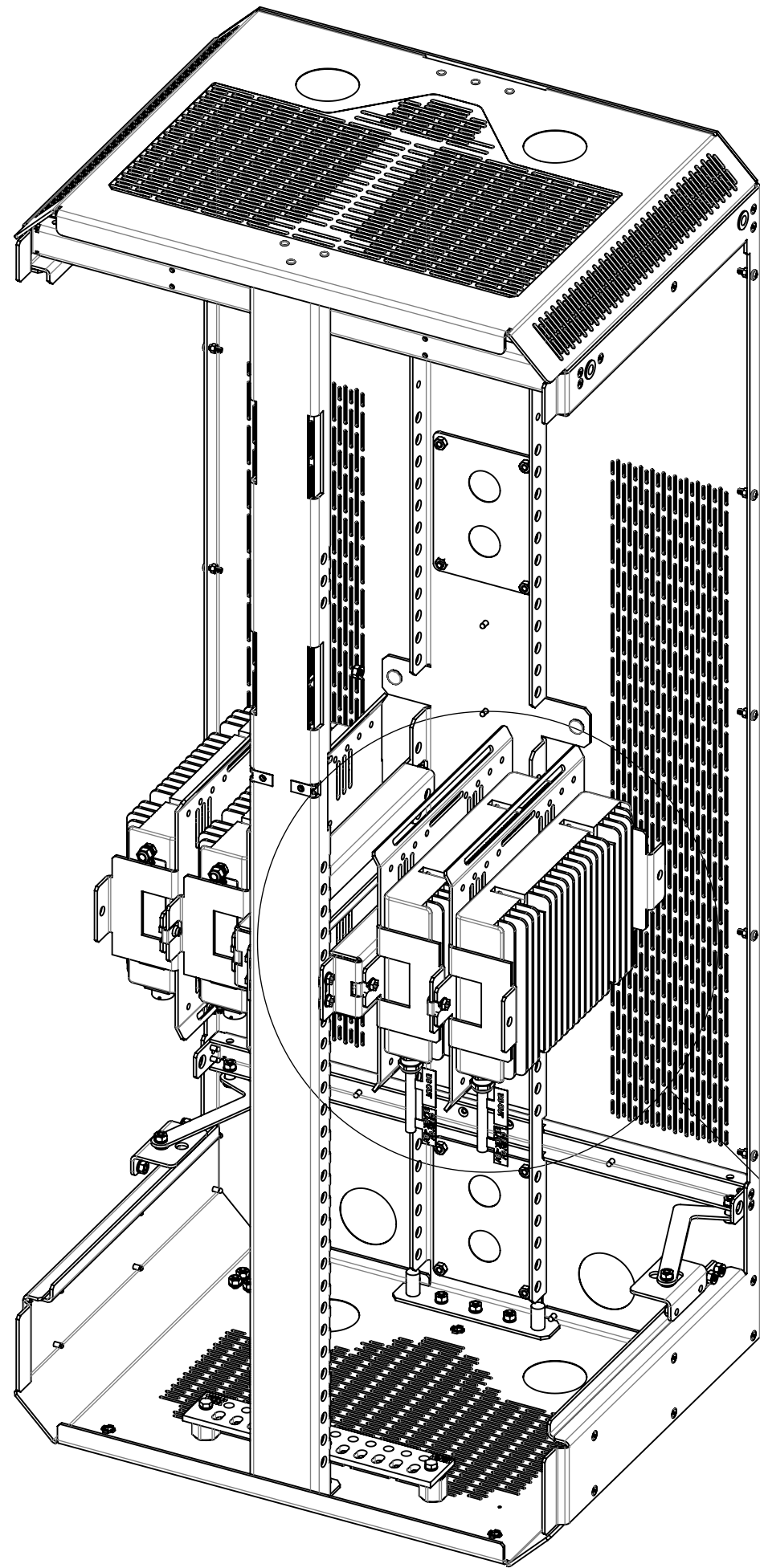
DETAIL B
SCALE 1 : 3



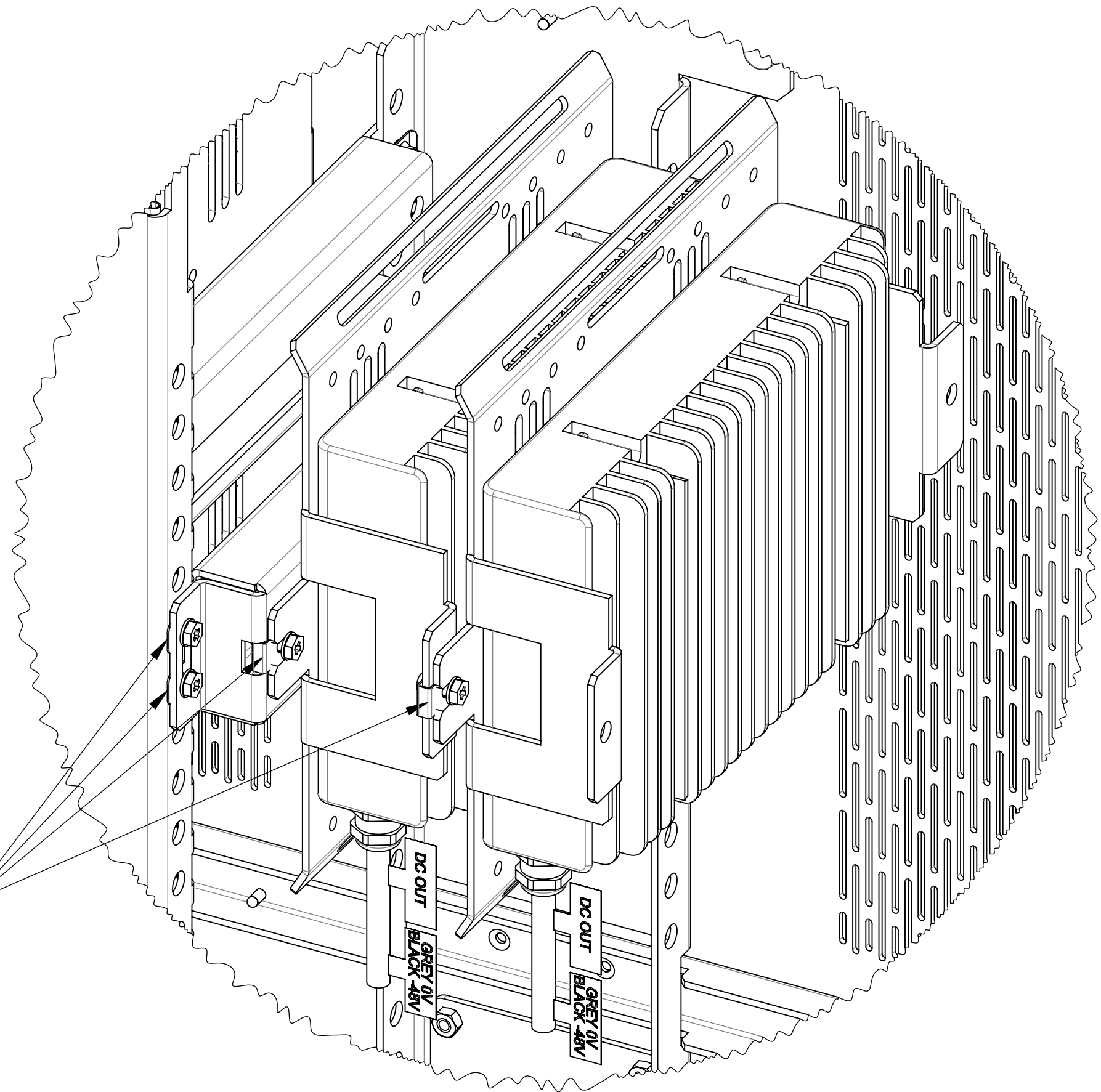
- STEP 2. HOLD RRU PANEL BETWEEN 45-90 DEG. AND INSERT BOTH TABS INTO SLOT ON UPRIGHT
- STEP 3: ROTATE PANEL INTO PLACE AND LIFT ONTO THE REAR UPRIGHT GUIDING PIN FOR SUPPORT
- STEP 4: SECURE PANEL WITH PROVIDED M6 HARDWARE
- STEP 5: REPEAT PROCESS FOR OPPOSITE SIDE RRU MOUNTING (IF APPLICABLE)

| | | | | |
|--|---------------|-----------------------------------|--------------|---------------|
| COMMSCOPE, INC. OF NORTH CAROLINA | | | | |
| TITLE INSTALLATION,ENCLASURE,DBHP,ERC | | | | |
| SIZE C | SCALE 1:12 | DOCUMENT NO. 760251532_INSTALL | | |
| | | DRAWING | | SHEET |
| | | VERSION 04 | STATUS RE | REVISION E |
| | | | | 5 OF 8 |

PSU INSTALLATION



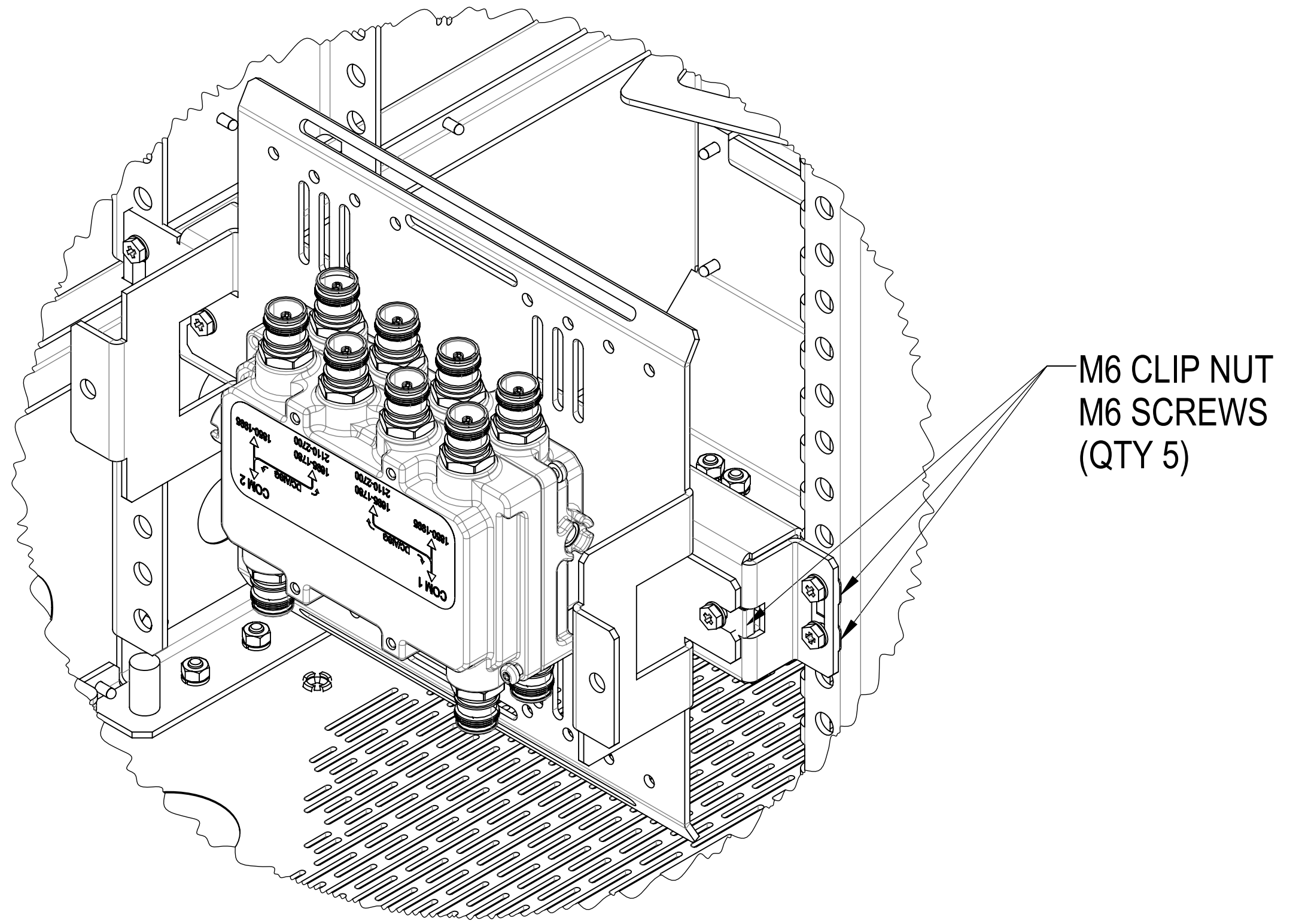
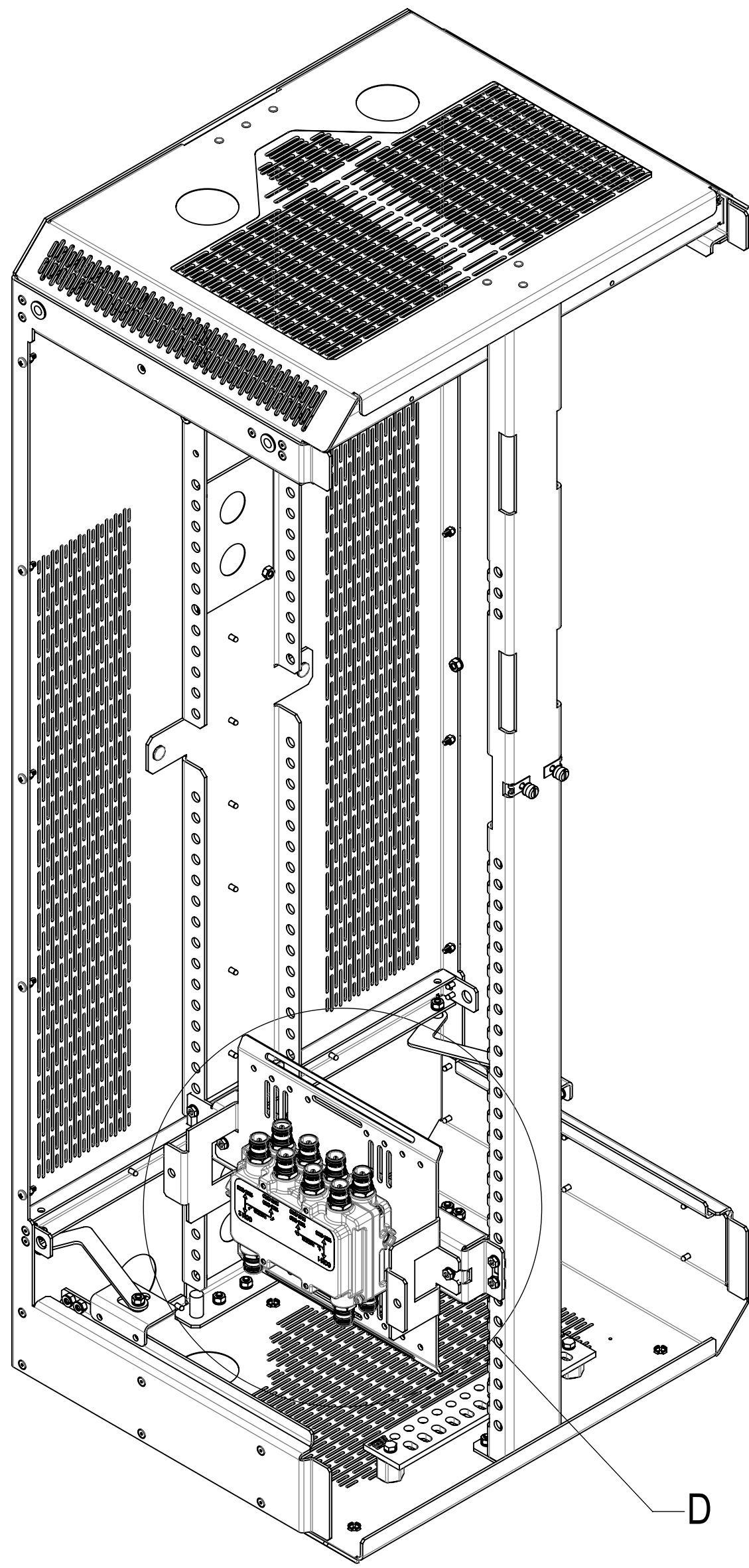
M6 CLIP NUT
M6 SCREWS
(QTY 8)



DETAIL C
SCALE 1 : 2

| | | | | | |
|--|----------------------|-----------------------------------|--------------|---------------|-----------------|
| COMMSCOPE, INC. OF NORTH CAROLINA | | | | | |
| TITLE INSTALLATION,ENCLASURE,DBHP,ERC | | | | | |
| SIZE C | SCALE 1:12 | DOCUMENT NO. 760251532_INSTALL | | | |
| | | DRAWING | | | SHEET 6 OF 8 |
| | | VERSION 04 | STATUS RE | REVISION E | |

DIPLEXER INSTALLATION



DETAIL D
SCALE 1:2

| | | | | | |
|--|----------------------|-----------------------------------|--------------|---------------|-----------------|
| COMMSCOPE, INC. OF NORTH CAROLINA | | | | | |
| TITLE INSTALLATION,ENCLASURE,DBHP,ERC | | | | | |
| SIZE C | SCALE 1:12 | DOCUMENT NO. 760251532_INSTALL | | | |
| | | DRAWING | | | SHEET 7 OF 8 |
| | | VERSION 04 | STATUS RE | REVISION E | |

4

3

2

1

RAYCAP DISCONNECT INSTALLATION

D

D

C

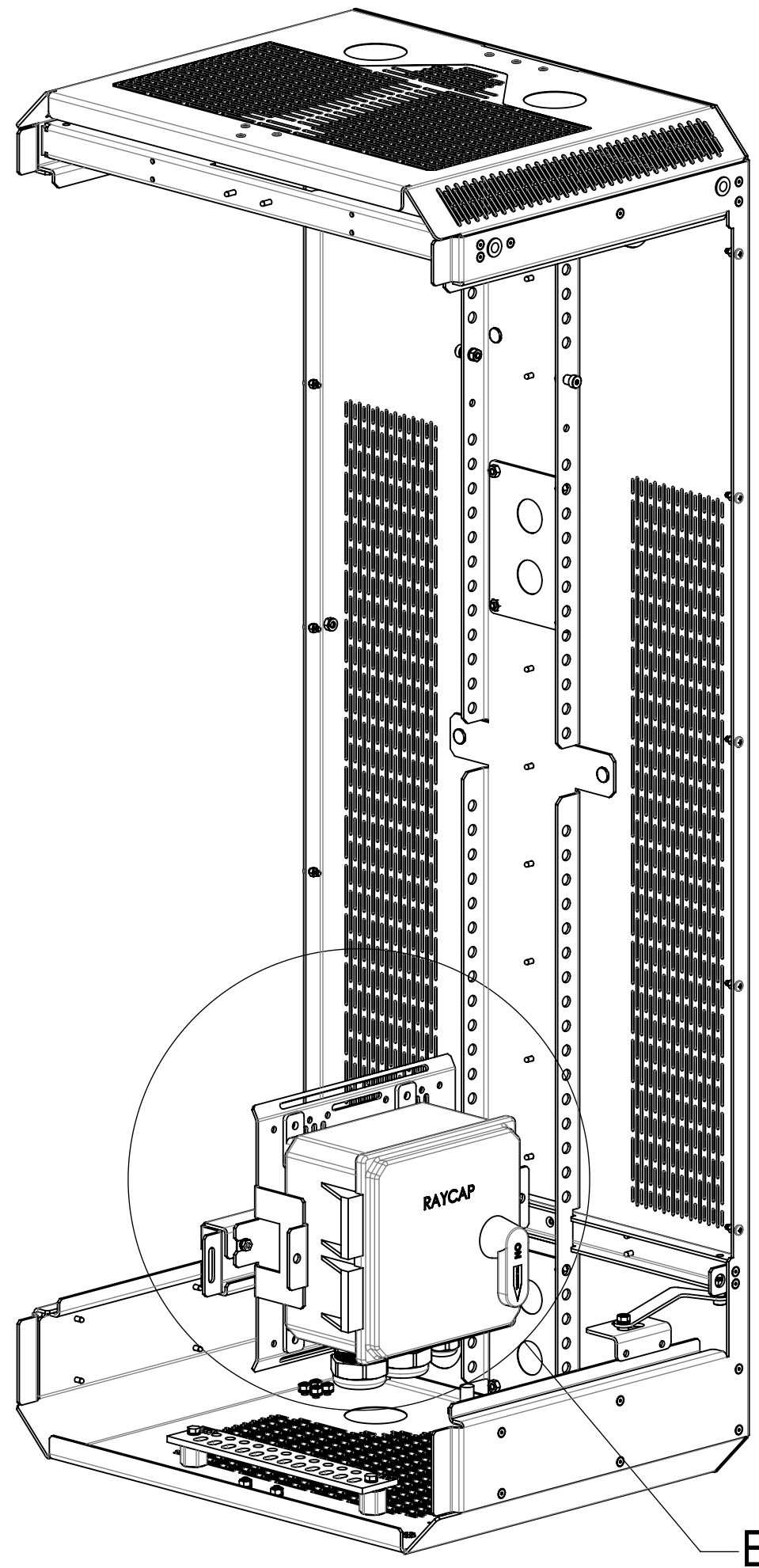
C

B

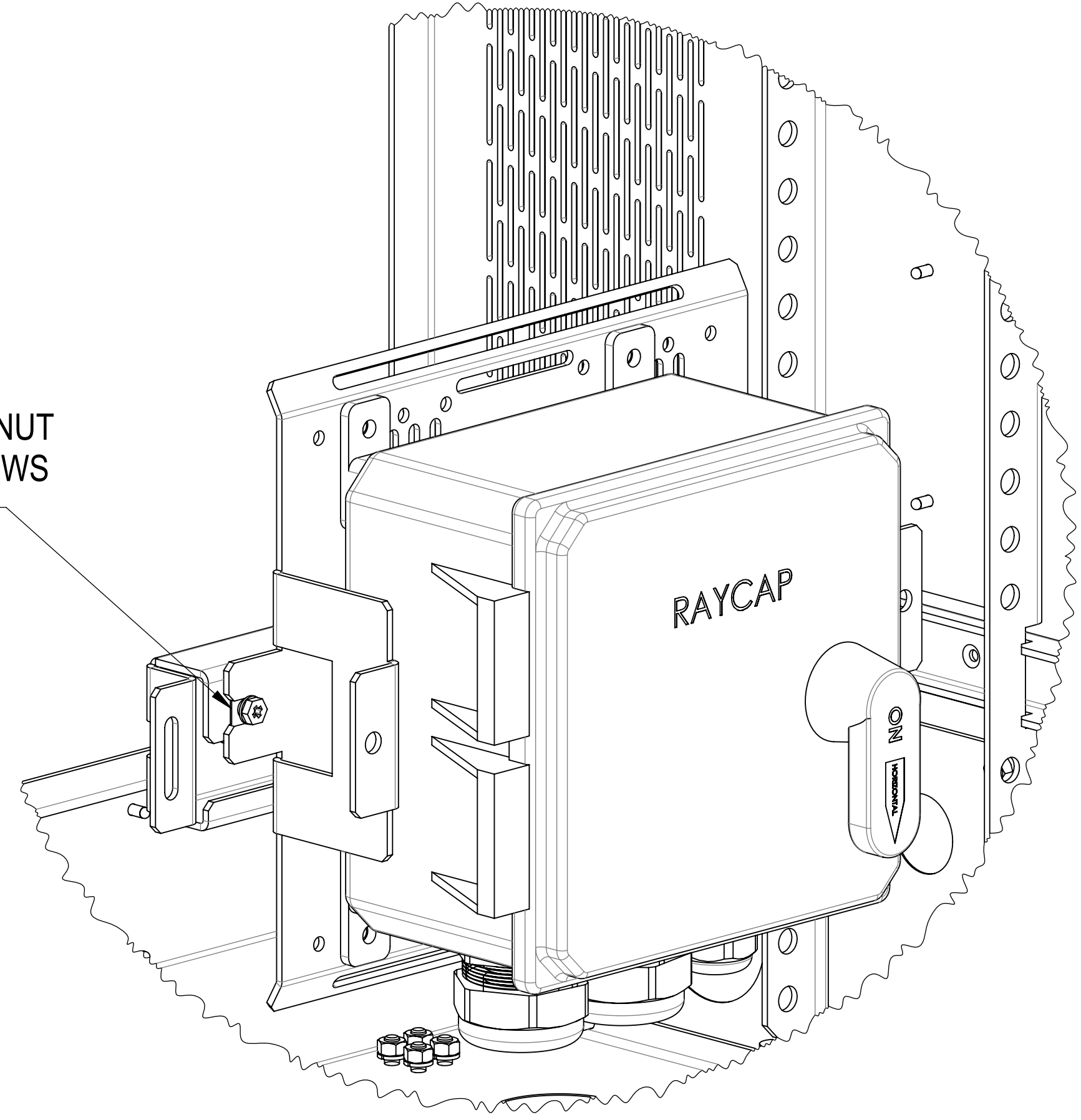
B

A

A



M6 CLIP NUT
M6 SCREWS
(QTY 2)



DETAIL E
SCALE 1 : 2

| | | | | |
|--|---------------|-----------------------------------|--------|----------|
| COMMSCOPE, INC. OF NORTH CAROLINA | | | | |
| TITLE INSTALLATION,ENCLASURE,DBHP,ERC | | | | |
| SIZE C | SCALE 1:12 | DOCUMENT NO. 760251532_INSTALL | | |
| | | DRAWING | | SHEET |
| | | VERSION | STATUS | REVISION |
| | | 04 | RE | E |
| | | | | 8 OF 8 |

4

3

2

1