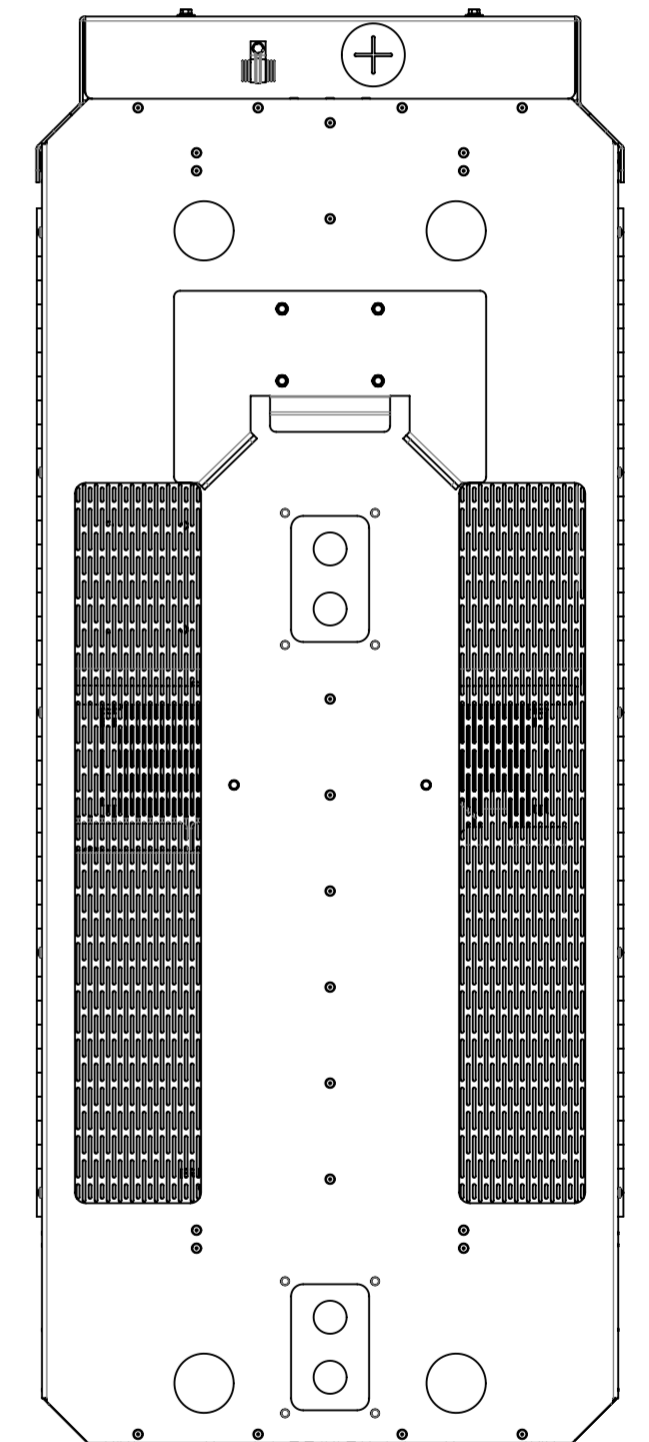
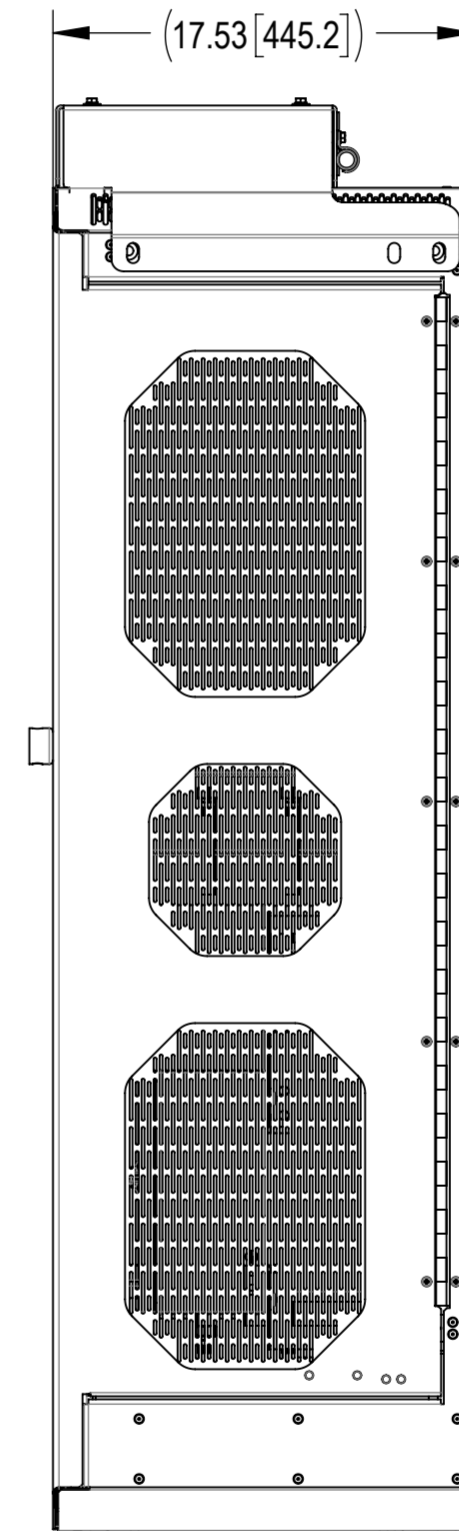
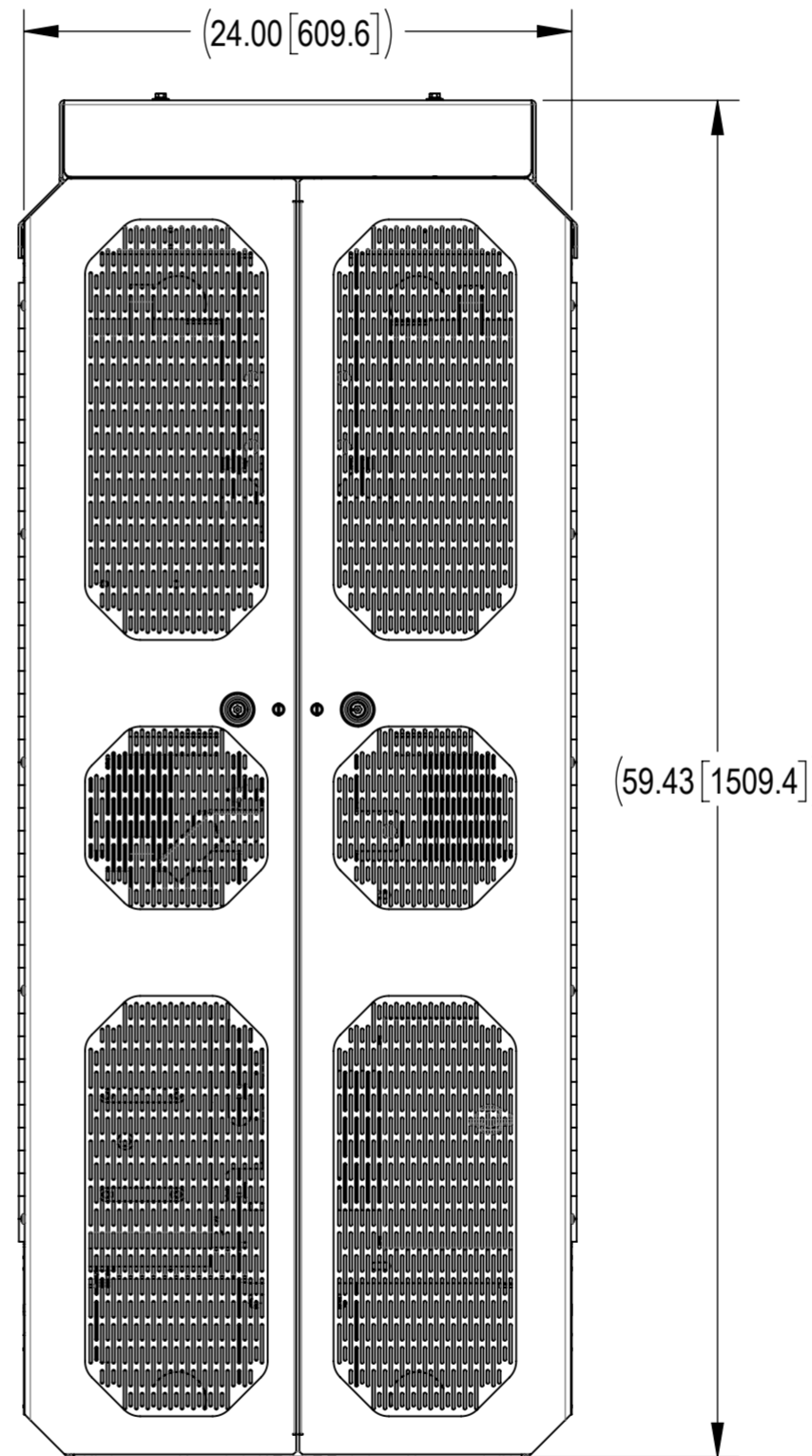
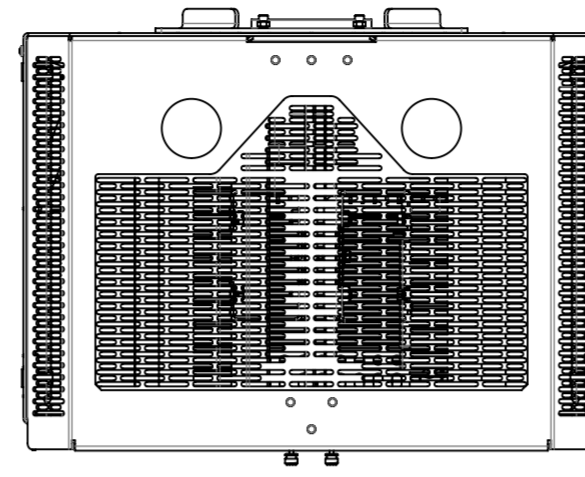
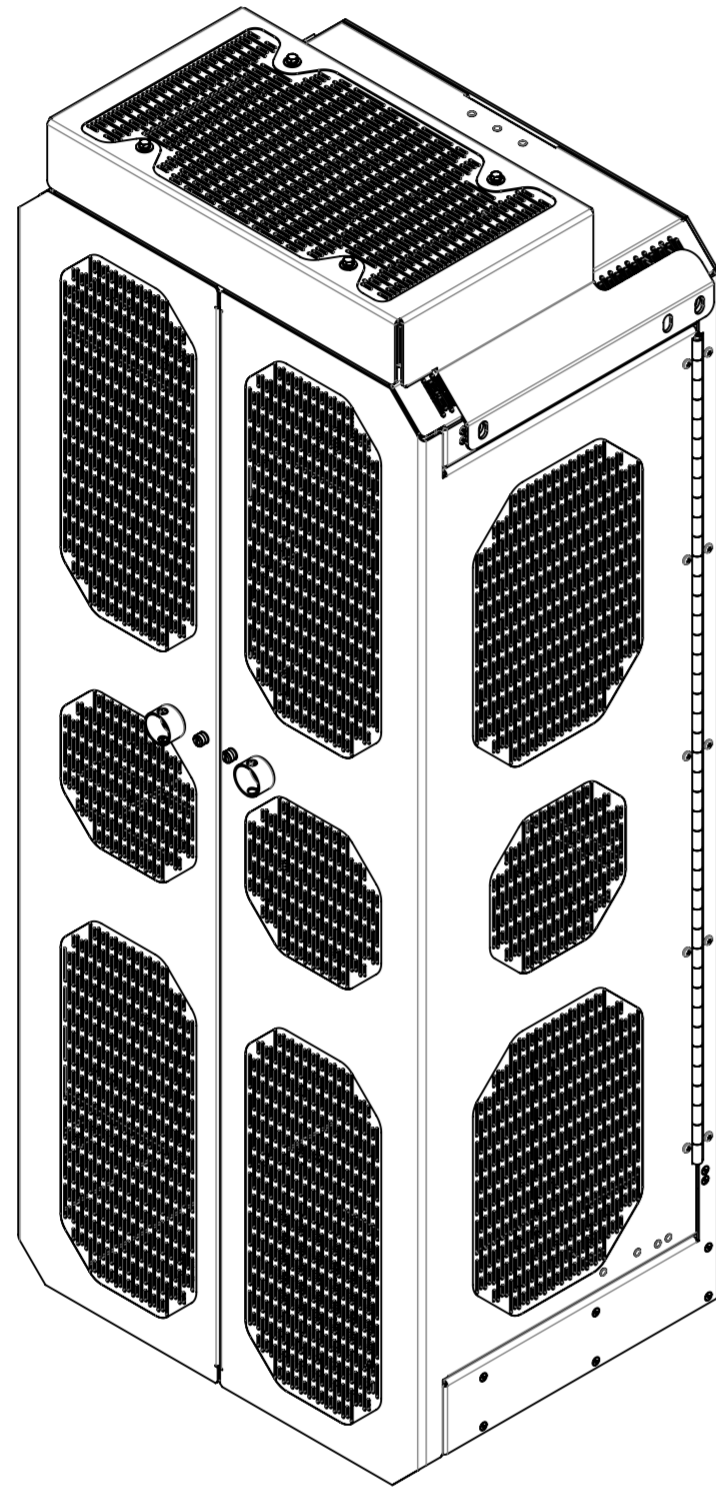


860665492-AMK-007-INSTALL INSTALLATION INSTRUCTION

DBHP RADIO ENCLOSURE - ERICSSON VERSION



REVISIONS			
REV.	DESCRIPTION	DATE	APPROVED
A	INITIAL RELEASE	NSUN 25APR24	JX1002 40193987CMO
B	ADDED FAN KITS FOR RADIO TABLE ON SHEET 2; ADDED NOTE 3.4, 3.5	NSUN 27JUN24	JX1002 40199107CMO
C	ADDED 860665492-AMK-006 FOR RADIO TABLE ON SHEET 2 AND ADDED NOTE 3.5; UPDATED RADIO TABLE	NSUN 12JUL24	JX1002 40199231CMO

This table show the evolution and history of document from initial to current version.

Further information regarding CommScope's commitment can be found at www.commscope.com/About-Us/Corporate-Responsibility-and-Sustainability.
Visit our website or contact your local CommScope representative for more information.
This product is covered by one or more U.S. patents or their foreign equivalents. For patents, see www.commscope.com/ProductPatent/ProductPatent.aspx

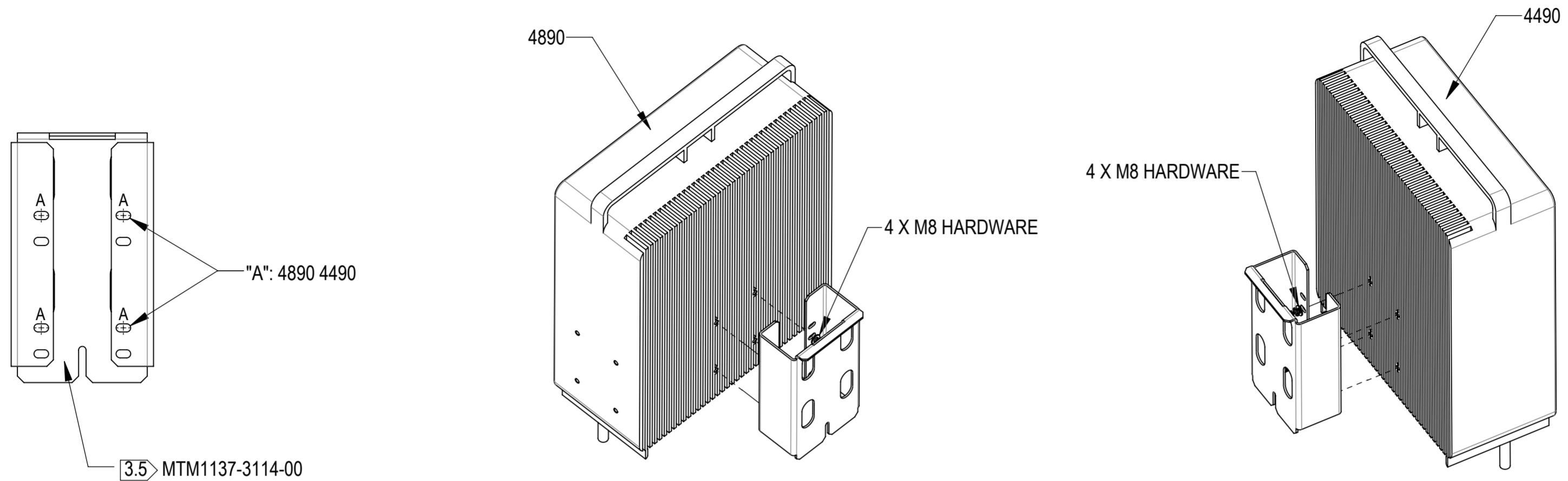
Installation Instructions



- 1.0 GENERAL NOTES
 - 1.1 ALL METRIC DIMENSIONS ARE IN BRACKETS [X.X]
- 2.0 DESIGN NOTES
- 3.0 MANUFACTURING/SPECIAL REQUIREMENTS
 - 3.1 TIGHTEN HARDWARES, TORQUE VALUE ARE SHOWN BELOW AS REFERENCE,
 - M6: TORQUE 40.0 IN-LB OR 4.5 N-M (W/ CLIP NUT)
 - M6: TORQUE 46.0 IN-LB OR 5.2 N-M (W/ THREADED CAST AL)
 - M6: TORQUE 75.0 IN-LB OR 8.5 N-M (W/ STEEL NUT)
 - M8: TORQUE 6.6 FT-LB OR 9.0 N-M (W/ THREADED CAST AL)
 - 1/4-20: TORQUE 4.8 FT-LB OR 6.6 N-M
 - 3/8-16: TORQUE 19.6 FT-LB OR 26.6 N-M
 - 3.2 CONFIGURATIONS AND QUANTITY OF EQUIPMENTS IN INSTALLATION ARE LISTED ON TABLE.
 - 3.3 EQUIPMENT INSTALLATION INSTRUCTION ON PAGE 3.
 - 3.4 "X" IS A VARIABLE FOR COLOR,KIT SHOULD BE COLOR MATCHED TO ENCLOSURE DEPLOYED ON SITE.
 - 3.5 THE BRACKET IS INCLUDED IN 860665492-AMK-006

ERICSSON CONFIGURATION	3.2 APPROVED ERICSSON RADIO CONFIGURATIONS								REQUIRED ADDITIONAL AMK FOR CONFIGURATION (PURCHASED SEPARATELY)	
	8863 C-BAND	4435 C-BAND	4467	4490	4890	PSU 6308	PTS 90X21	RAYCAP "RSD-F SERIES" OR "RSCAC SERIES"	860665492-AMK-006	3.4 860661736-MV2-C03X
1			1	1	1	1	1		1	1
2	1			1	1	1	1		1	1
3		1		1	1	1	1		1	1
4	1			1	1	1		1	1	1
5		1		1	1	1		1	1	1
6			1	1	1	1		1	1	1
7	1			1	1	1			1	1
8		1		1	1	1			1	1
9			1	1	1	1			1	1

EQUIPMENT MOUNTING INSTALLATION

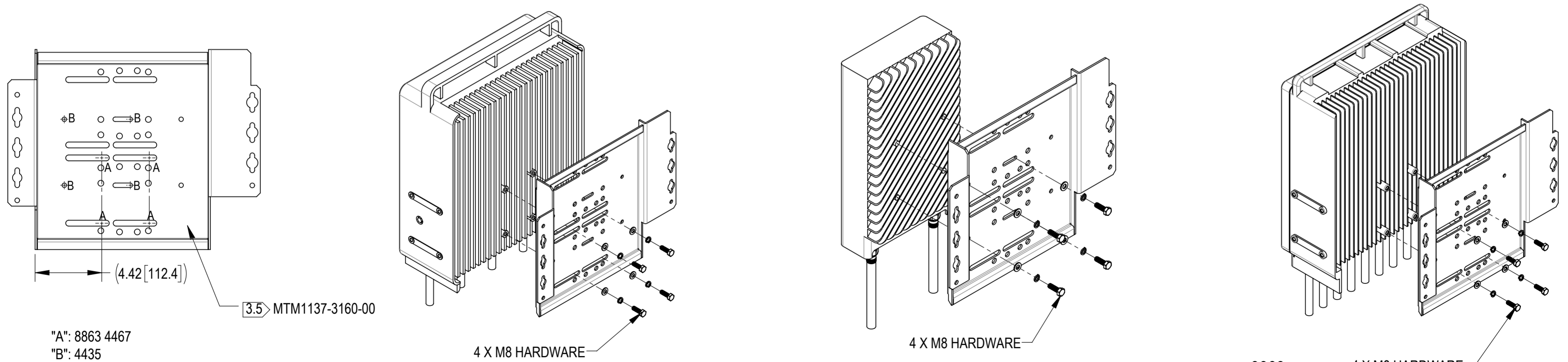


4890:

INSTALL 4890 TO THE BRACKET MTM1137-3114-00 USING 4 SETS OF M8 HEX BOLT, LOCK WASHER AND FLAT WASHER AS SHOWN

4490:

INSTALL 4490 TO THE BRACKET MTM1137-3114-00 USING 4 SETS OF M8 HEX BOLT, LOCK WASHER AND FLAT WASHER AS SHOWN



"A": 8863 4467
"B": 4435

4467:

INSTALL 4467 TO THE BRACKET MTM1137-3160-00 USING 4 SETS OF M8 HEX BOLT, LOCK WASHER AND FLAT WASHER AS SHOWN

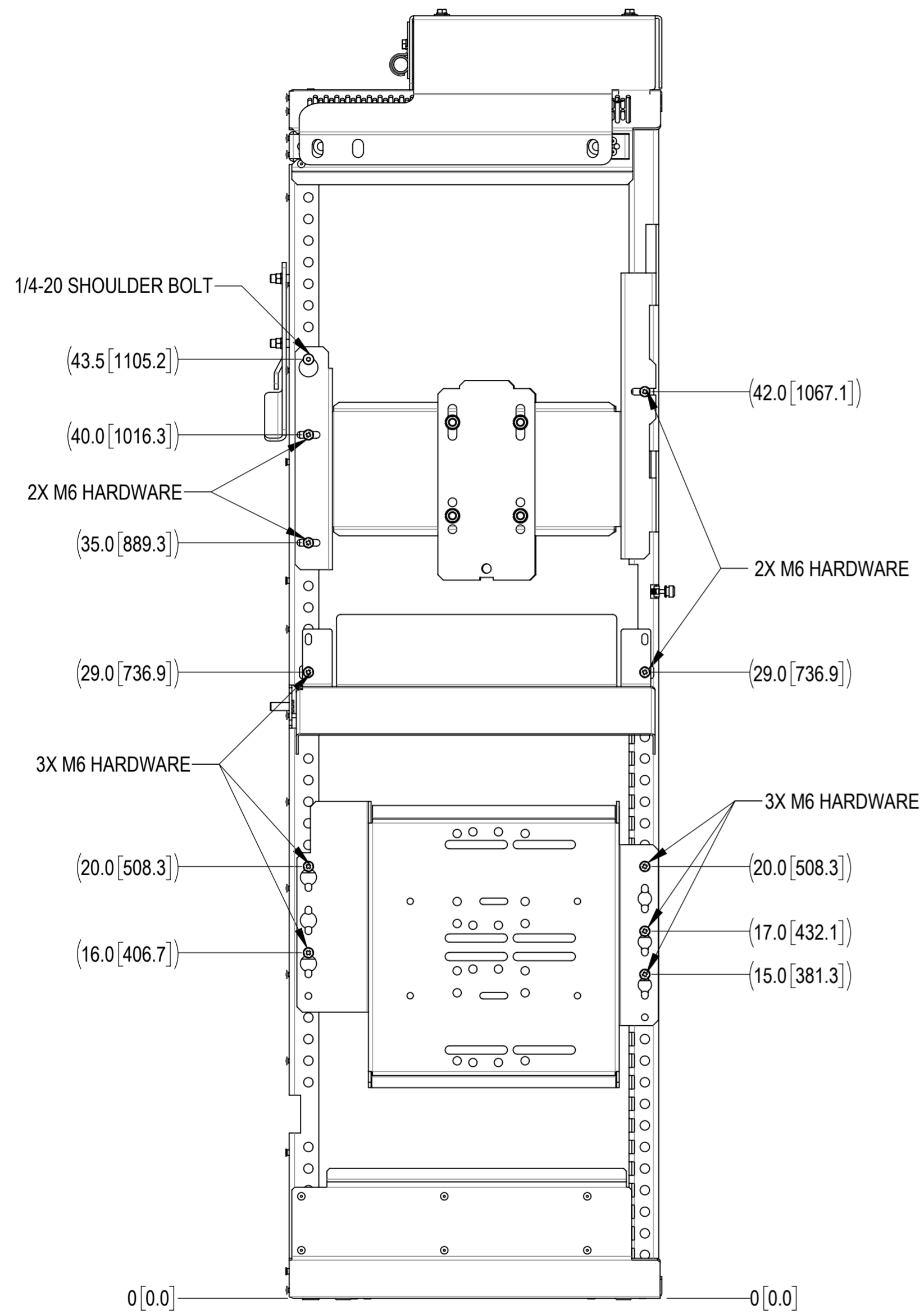
4435:

INSTALL 4435 TO THE BRACKET MTM1137-3160-00 USING 4 SETS OF M8 HEX BOLT, LOCK WASHER AND FLAT WASHER AS SHOWN

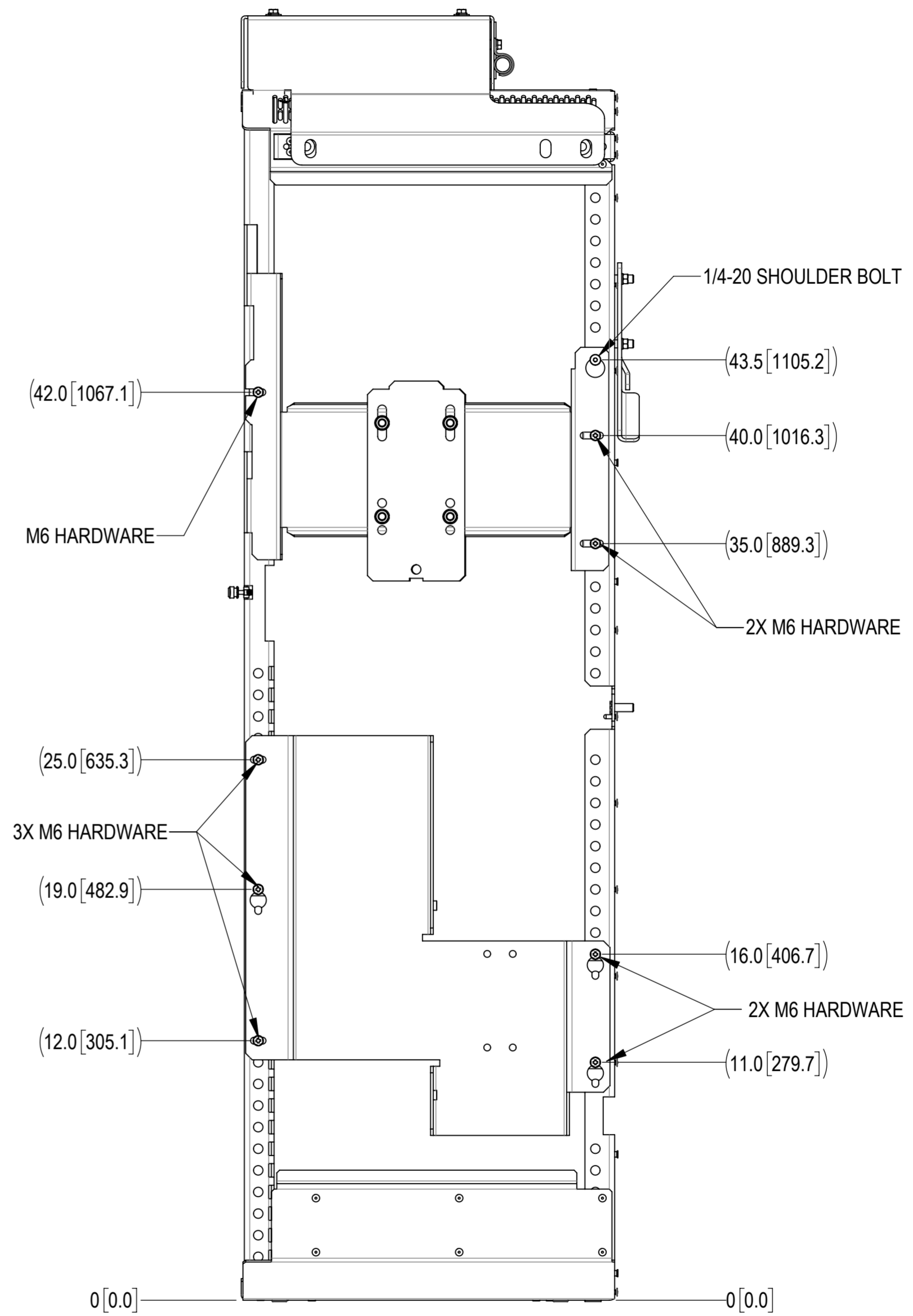
8863:

INSTALL 8863 TO THE BRACKET MTM1137-3160-00 USING 4 SETS OF M8 HEX BOLT, LOCK WASHER AND FLAT WASHER AS SHOWN

HARDWARE INSTALLATION

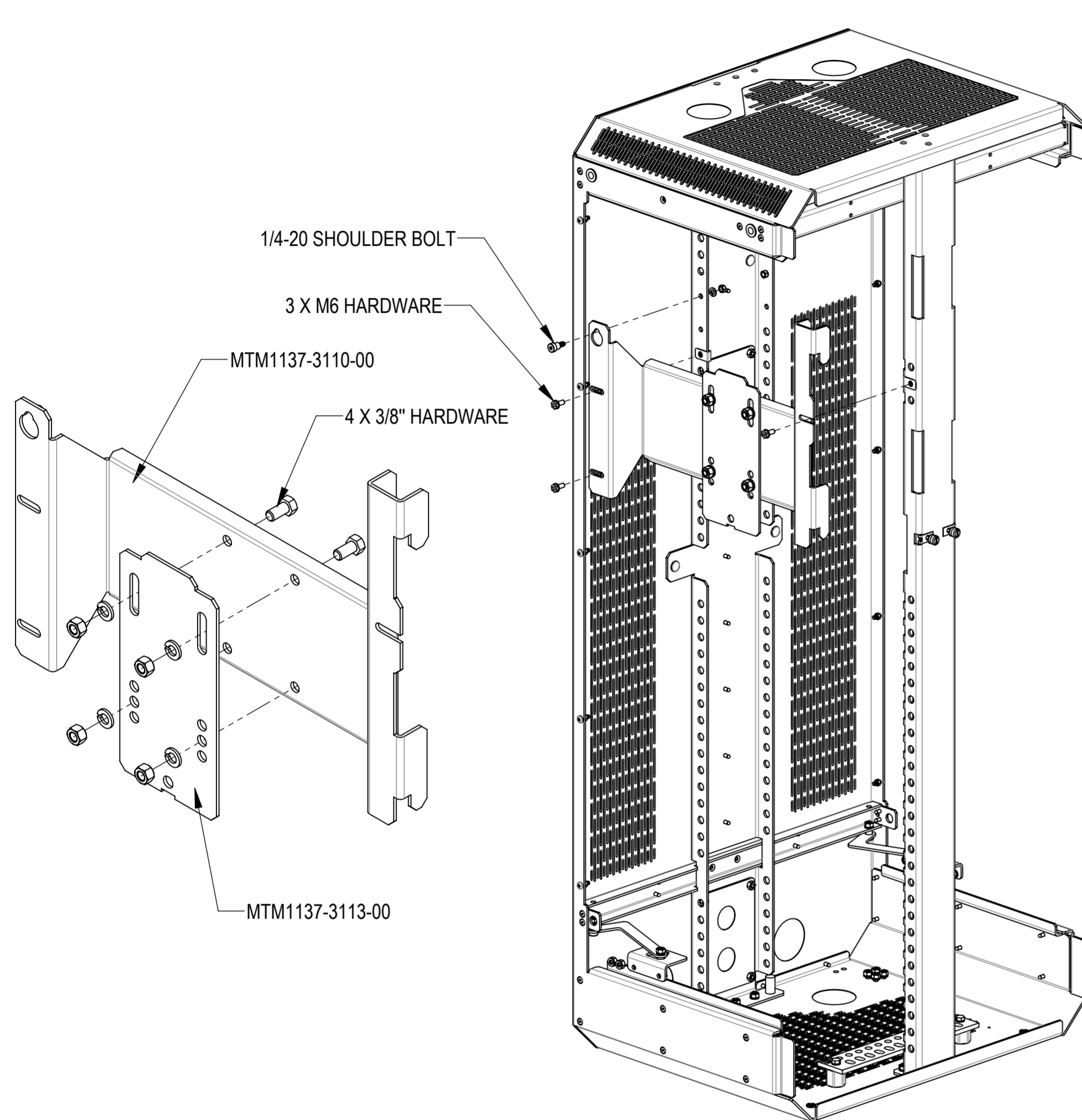


LEFT SIDE VIEW
(BRACKET SHOWN FOR REFERENCE)
(EQUIPMENT NOT SHOWN)



RIGHT SIDE VIEW
(BRACKET SHOWN FOR REFERENCE)
(EQUIPMENT NOT SHOWN)

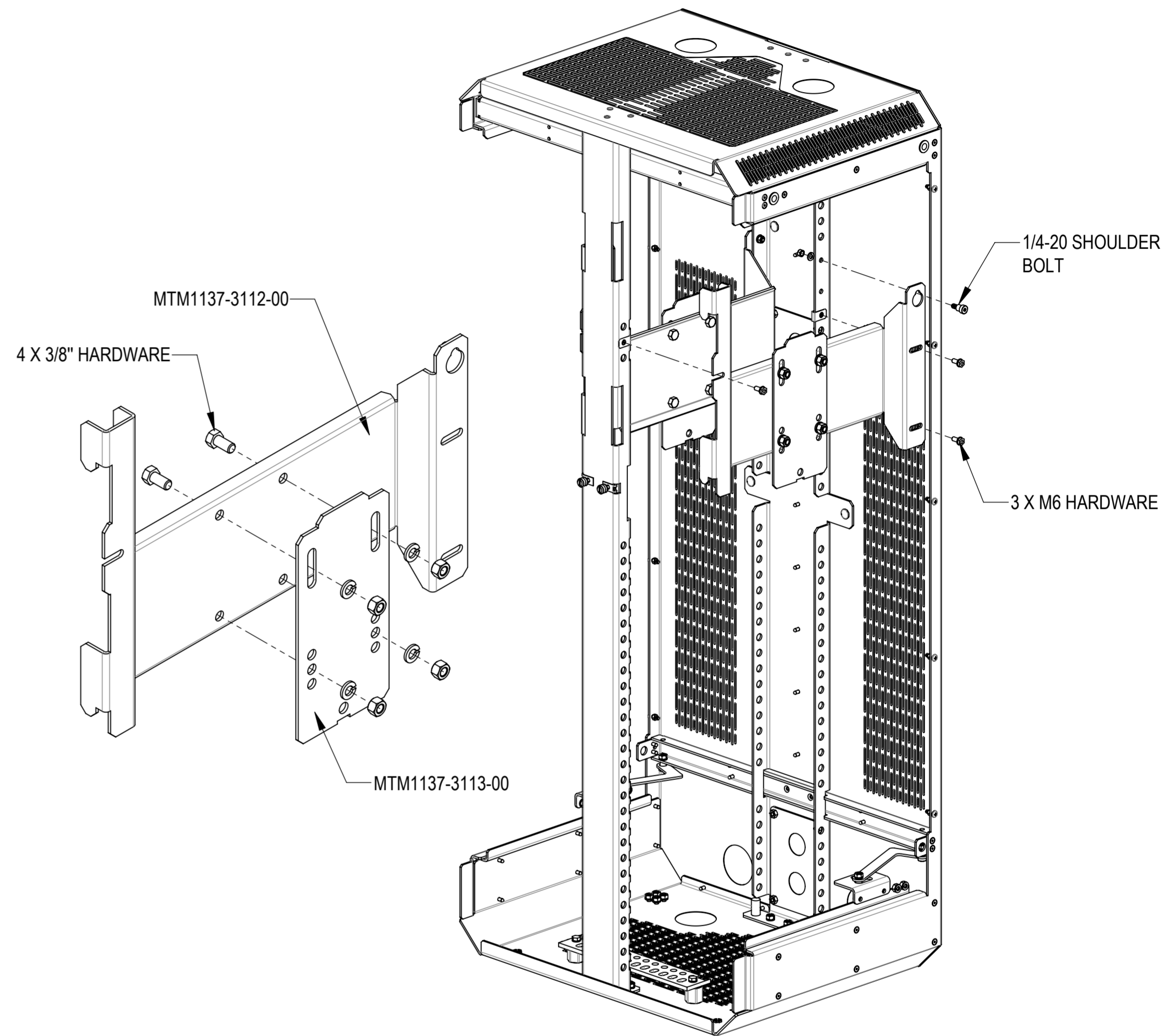
4890 AND 4490 INSTALLATION



MTM1137-3110-00 & MTM1137-3113-00 (LEFT):

A) INSTALL MTM1137-3113-00 TO THE EQUIPMENT MOUNT BRACKETS MTM1137-3110-00 AND SECURE USING 4 SETS OF 3/8" HEX BOLT, LOCK WASHER AND NUT

B) SECURE THE COMBO BRACKET USING 3 SETS OF M6 HEX BOLT, LOCK WASHER, FLAT WASHER, CLIP NUT AND 1 SETS OF 1/4 SHOULDER BOLT, LOCK WASHER, NUT

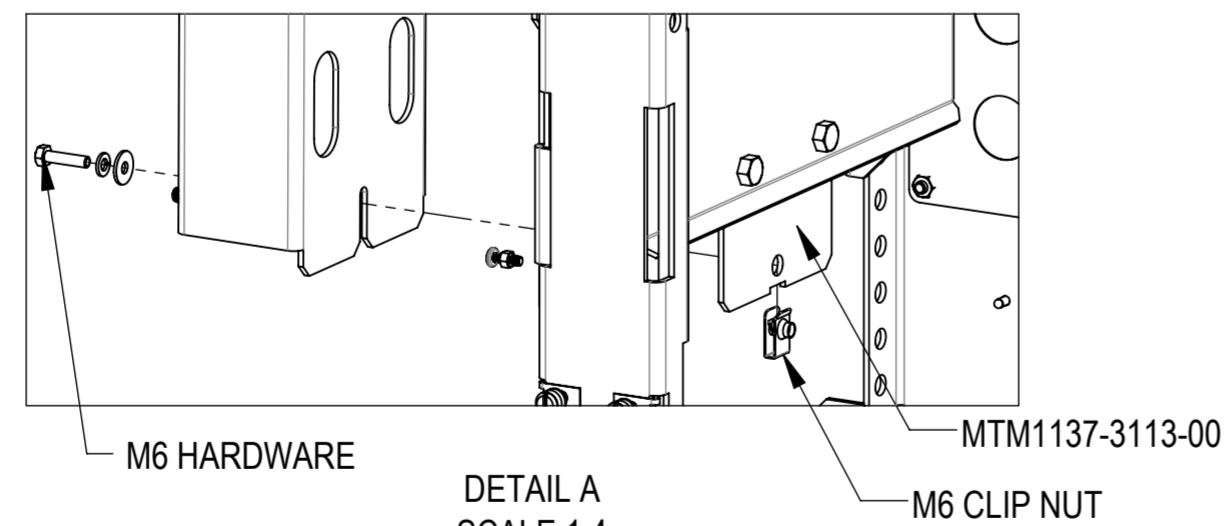
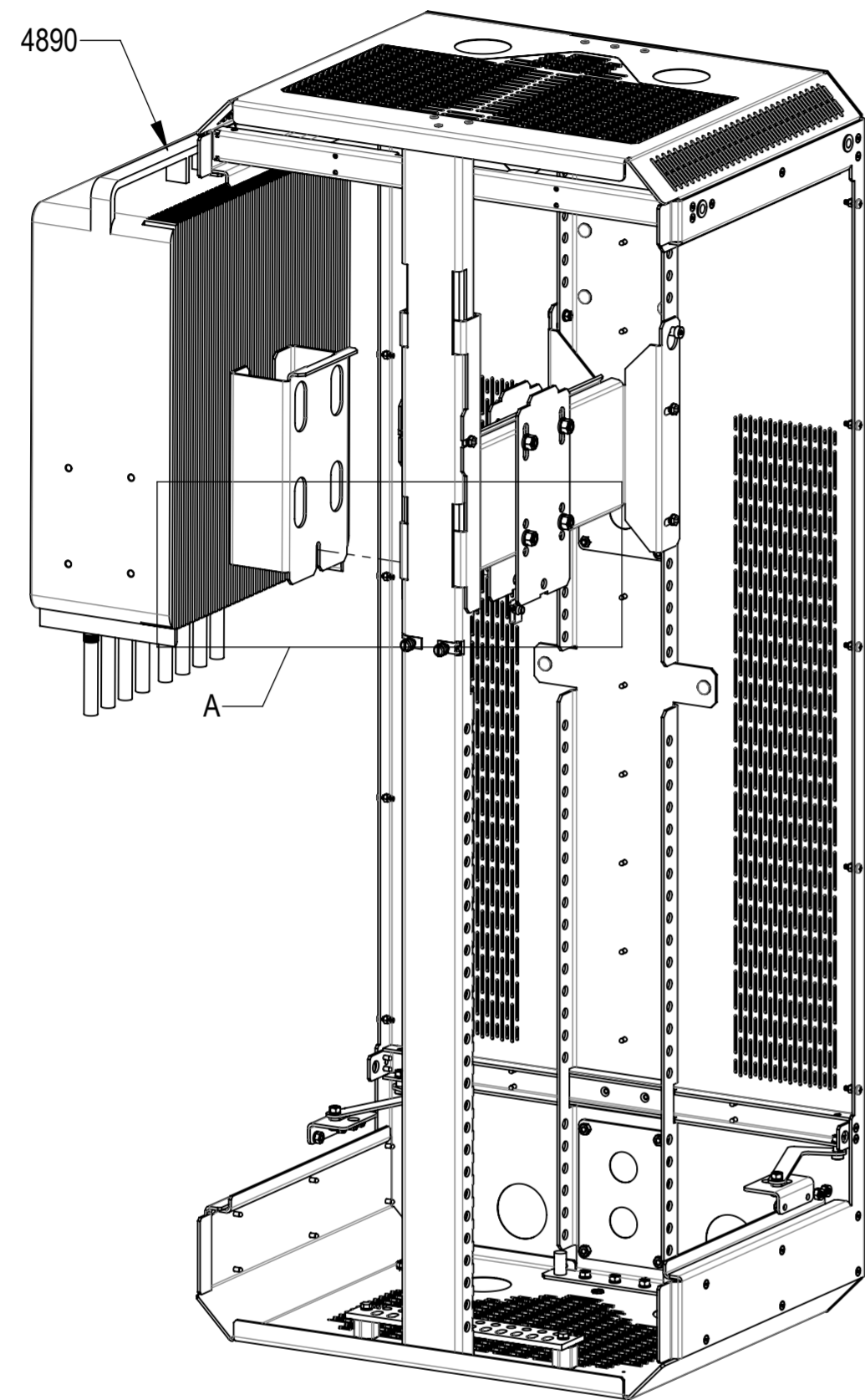


MTM1137-3112-00 & MTM1137-3113-00 (RIGHT):

A) INSTALL MTM1137-3113-00 TO THE EQUIPMENT MOUNT BRACKETS MTM1137-3112-00 AND SECURE USING 4 SETS OF 3/8" HEX BOLT, LOCK WASHER AND NUT

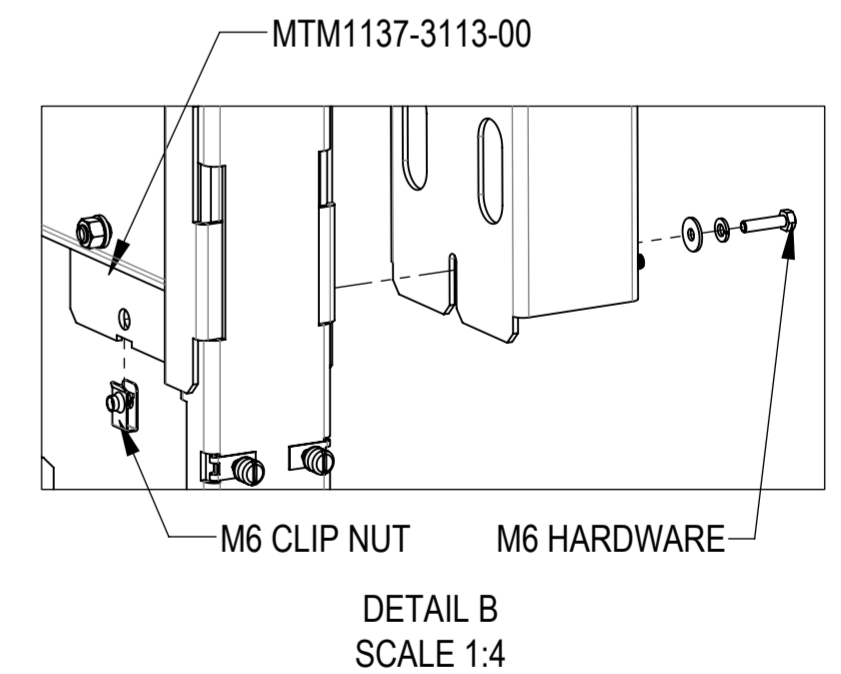
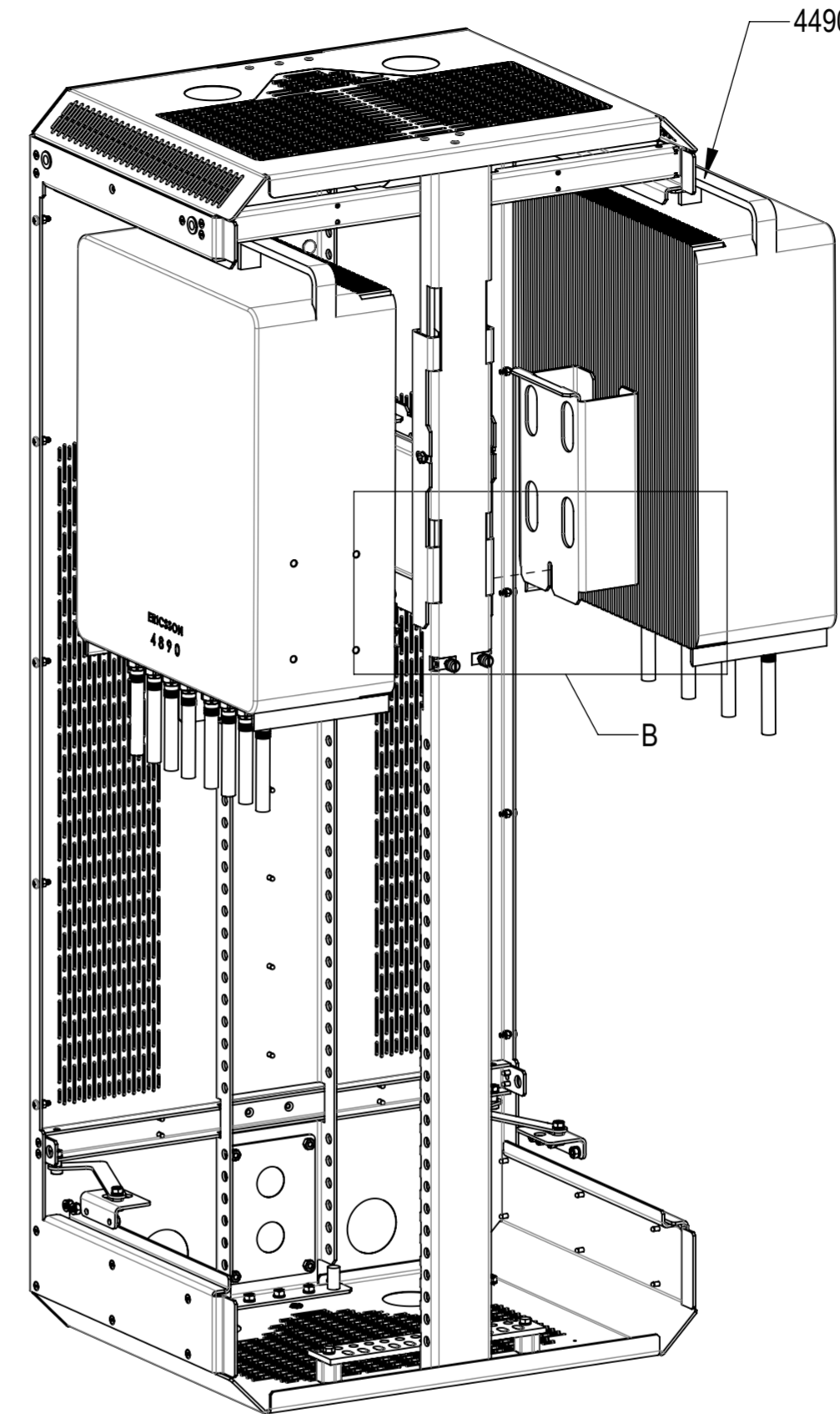
B) SECURE THE COMBO BRACKET USING 4 SETS OF M6 HEX BOLT, LOCK WASHER, FLAT WASHER, CLIP NUT AND 1 SETS OF 1/4 SHOULDER BOLT, LOCK WASHER, NUT

4890 AND 4490 INSTALLATION



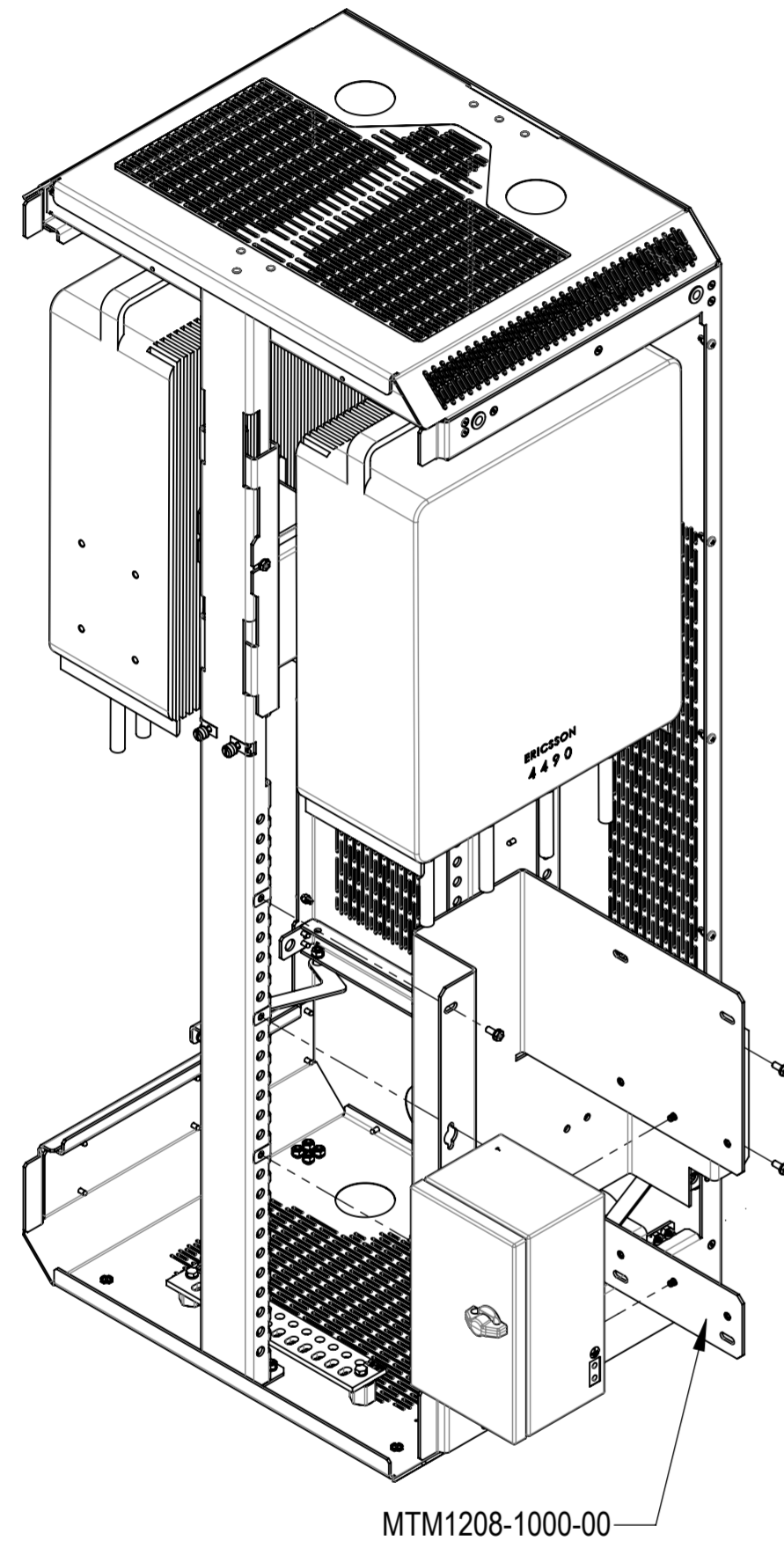
4890 INSTALLATION:

HANG 4890 WITH BRACKET ON MOUNT BRACKETS MTM1137-3113-00 AND SECURE BY 1 SETS OF M6 SCREW AND CLIP NUT



4490 INSTALLATION:

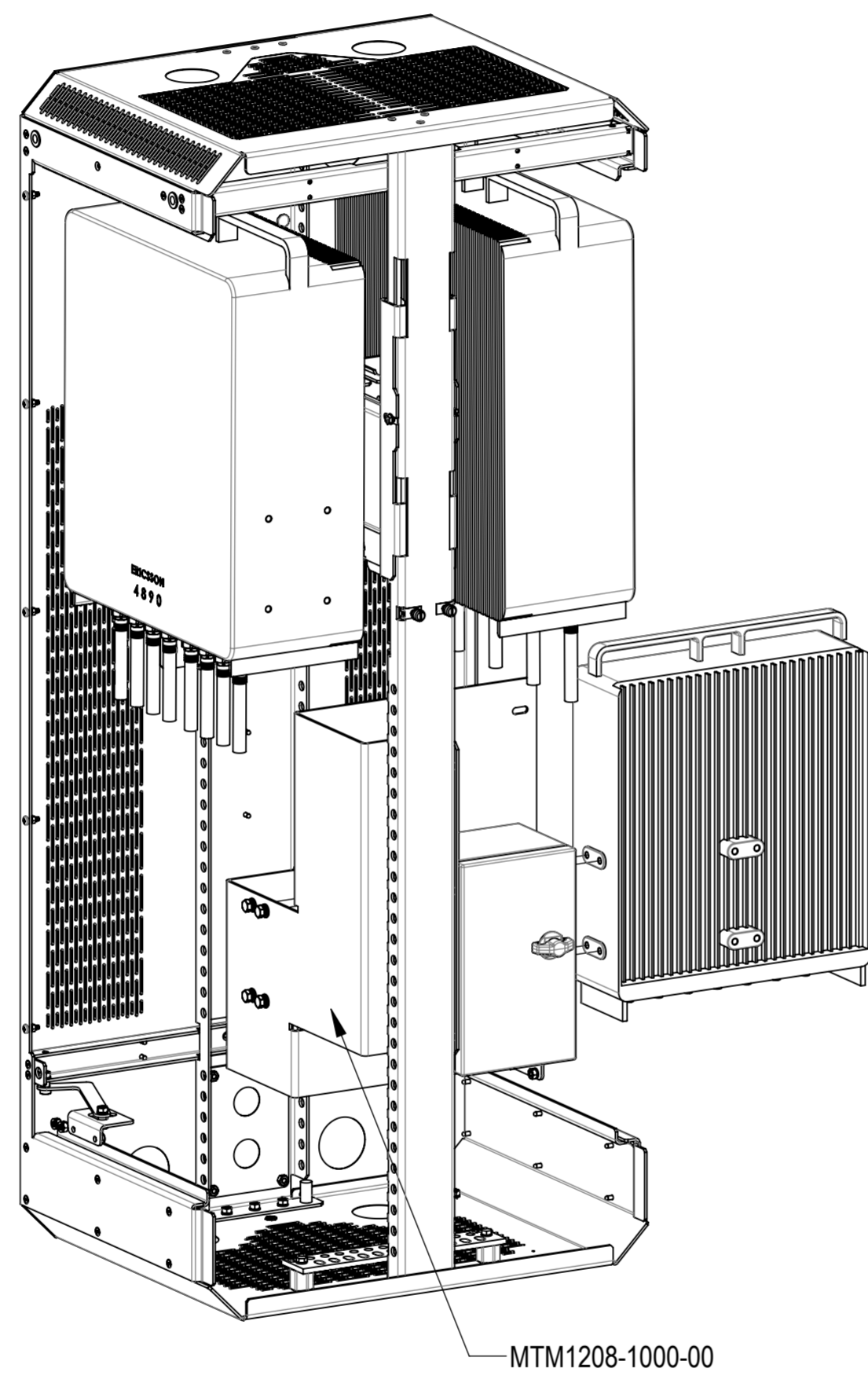
HANG 4490 WITH BRACKET ON MOUNT BRACKETS MTM1137-3113-00 AND SECURE BY 1 SETS OF M6 SCREW AND CLIP NUT



PTS 90X21 INSTALLATION

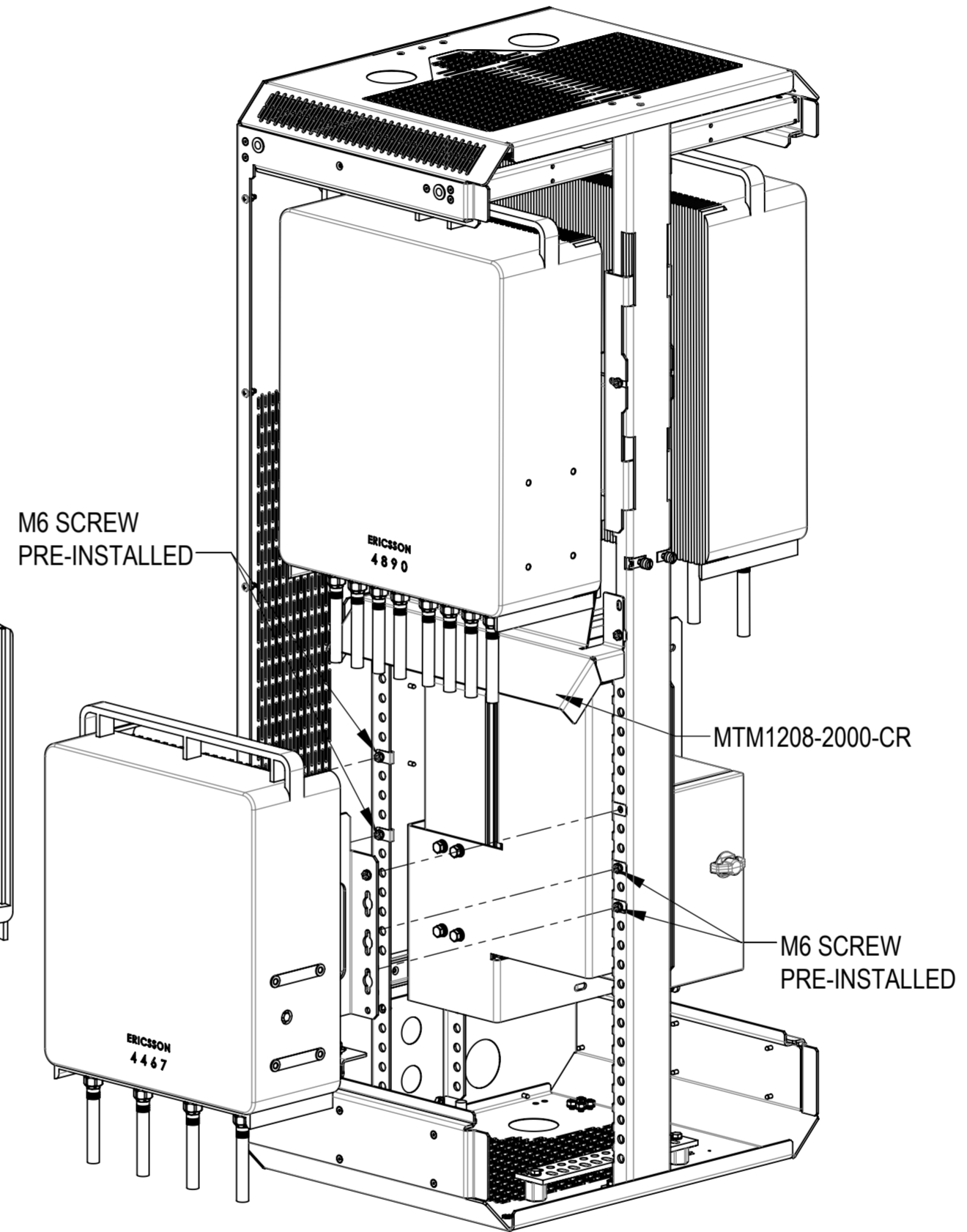
INSTALL THE BRACKET MTM1208-1000-00 ON ENCLOSURE AND SECURE BY 5 SETS OF M6 SCREW AND CLIP NUT

INSTALL PTS TO THE BRACKET MTM1208-1000-00 USING 2 SETS OF 1/4 HEX BOLT, LOCK WASHER AND FLAT WASHER AS SHOWN



6308 INSTALLATION

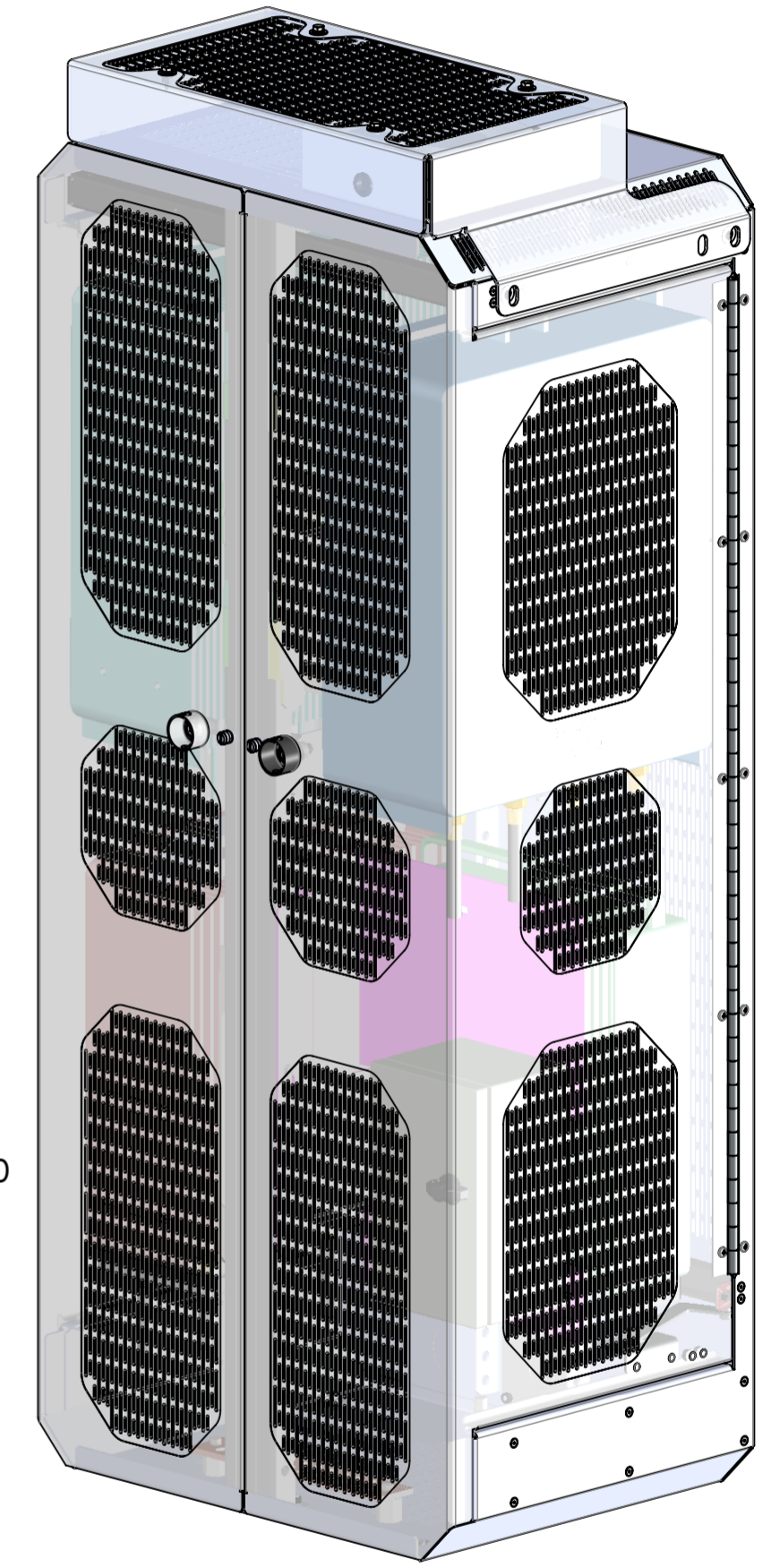
INSTALL 6308 ON BRACKET MTM1208-1000-00 AND USING 4 SETS OF M8 HEX BOLT, LOCK WASHER AND FLAT WASHER AS SHOWN



4467 INSTALLATION

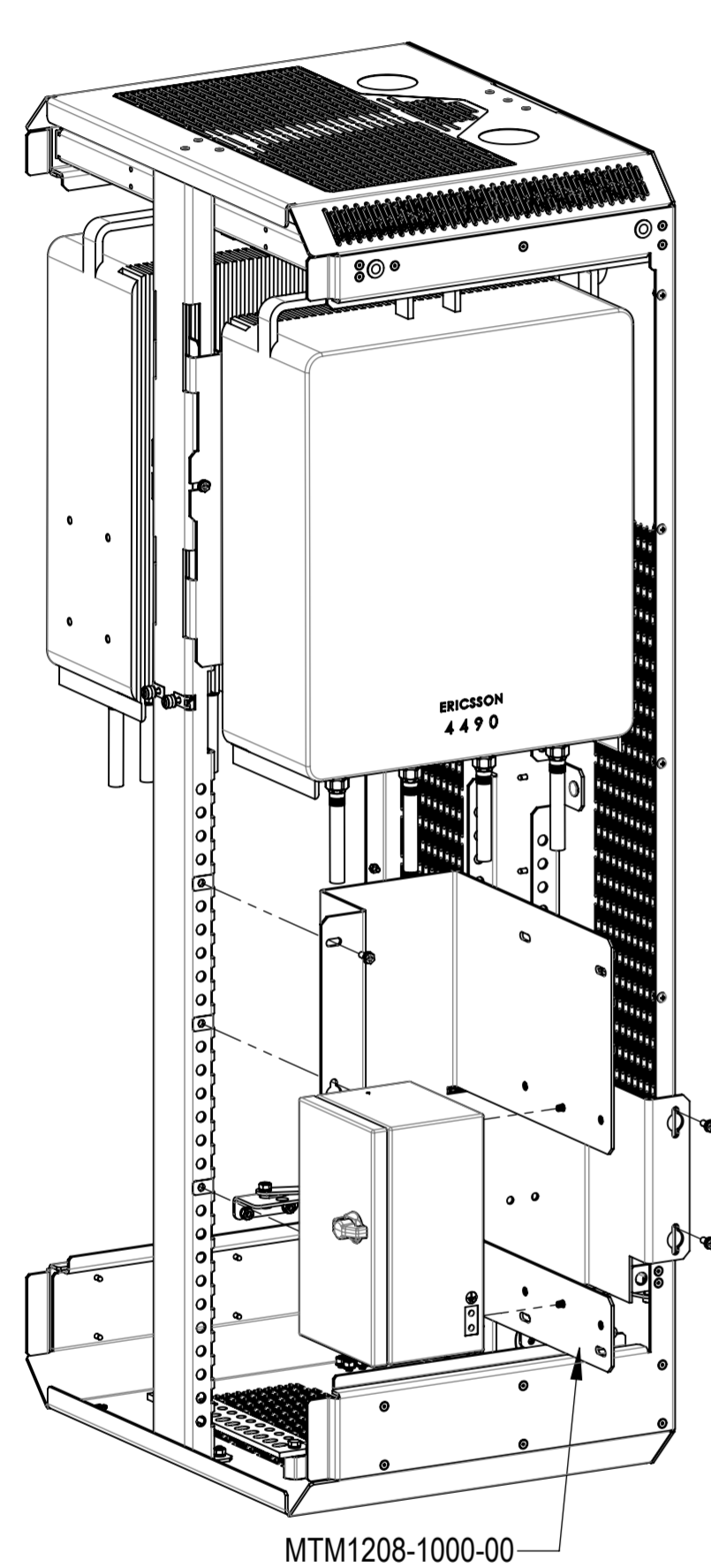
INSTALL THE BRACKET MTM1208-2000-CR ON ENCLOSURE AND SECURE BY 2 SETS OF M6 SCREW AND CLIP NUT

INSTALL 4467 WITH BRACKET ON ENCLOSURE AND SECURE BY 5 SETS OF M6 SCREW AND CLIP NUT



FAN KITS INSTALLATION

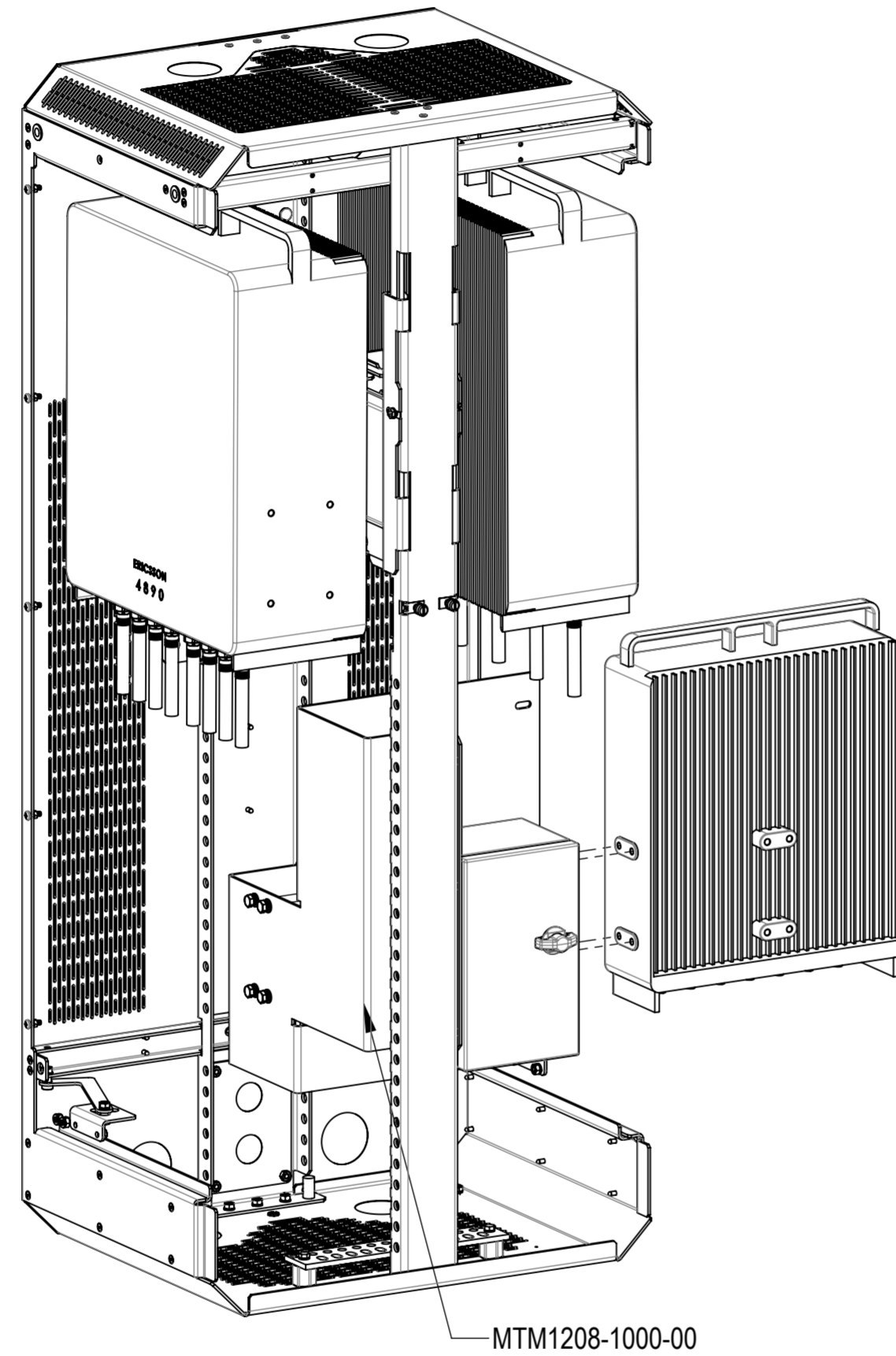
INSTALL THE FAN KIT 860661736-MV2-C03X TO THE TOP OF DBHP, SEE 860661736-MV2-C03-INSTALL



PTS 90X21 INSTALLATION

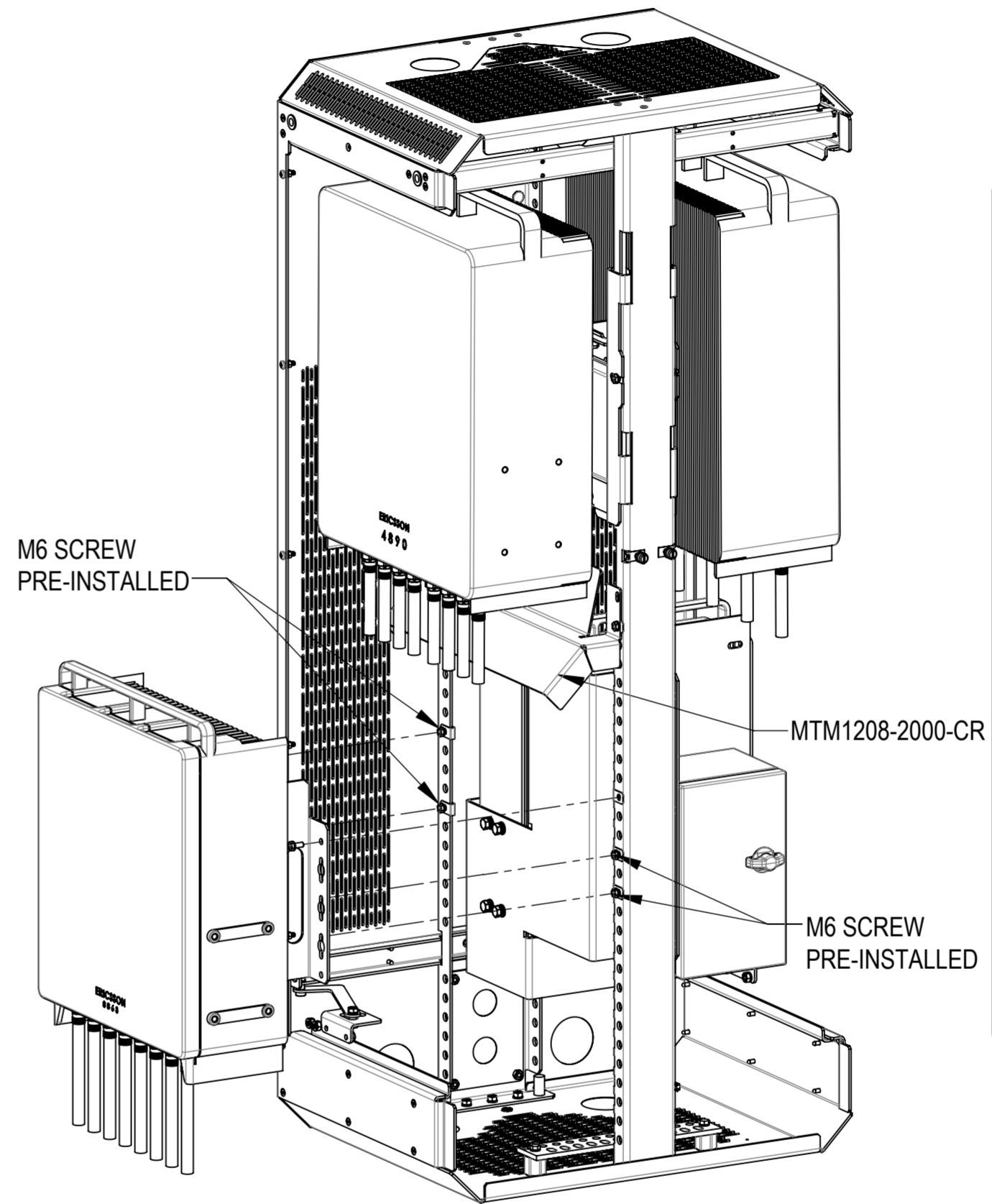
INSTALL THE BRACKET MTM1208-1000-00 ON ENCLOSURE AND SECURE BY 5 SETS OF M6 SCREW AND CLIP NUT

INSTALL PTS TO THE BRACKET MTM1208-1000-00 USING 2 SETS OF 1/4 HEX BOLT, LOCK WASHER AND FLAT WASHER AS SHOWN



6308 INSTALLATION

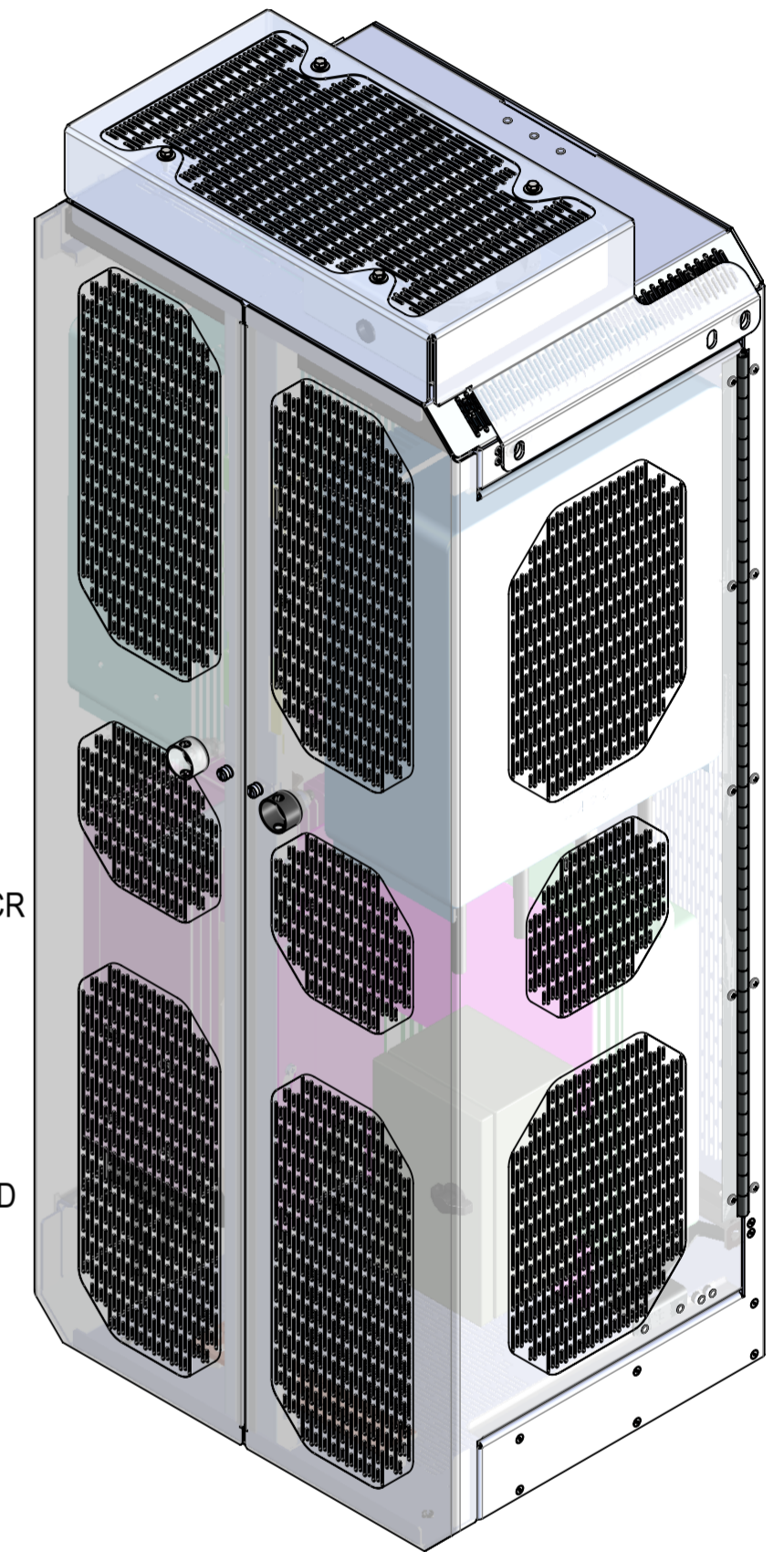
INSTALL 6308 ON BRACKET MTM1208-1000-00 AND USING 4 SETS OF M8 HEX BOLT, LOCK WASHER AND FLAT WASHER AS SHOWN



8863 INSTALLATION

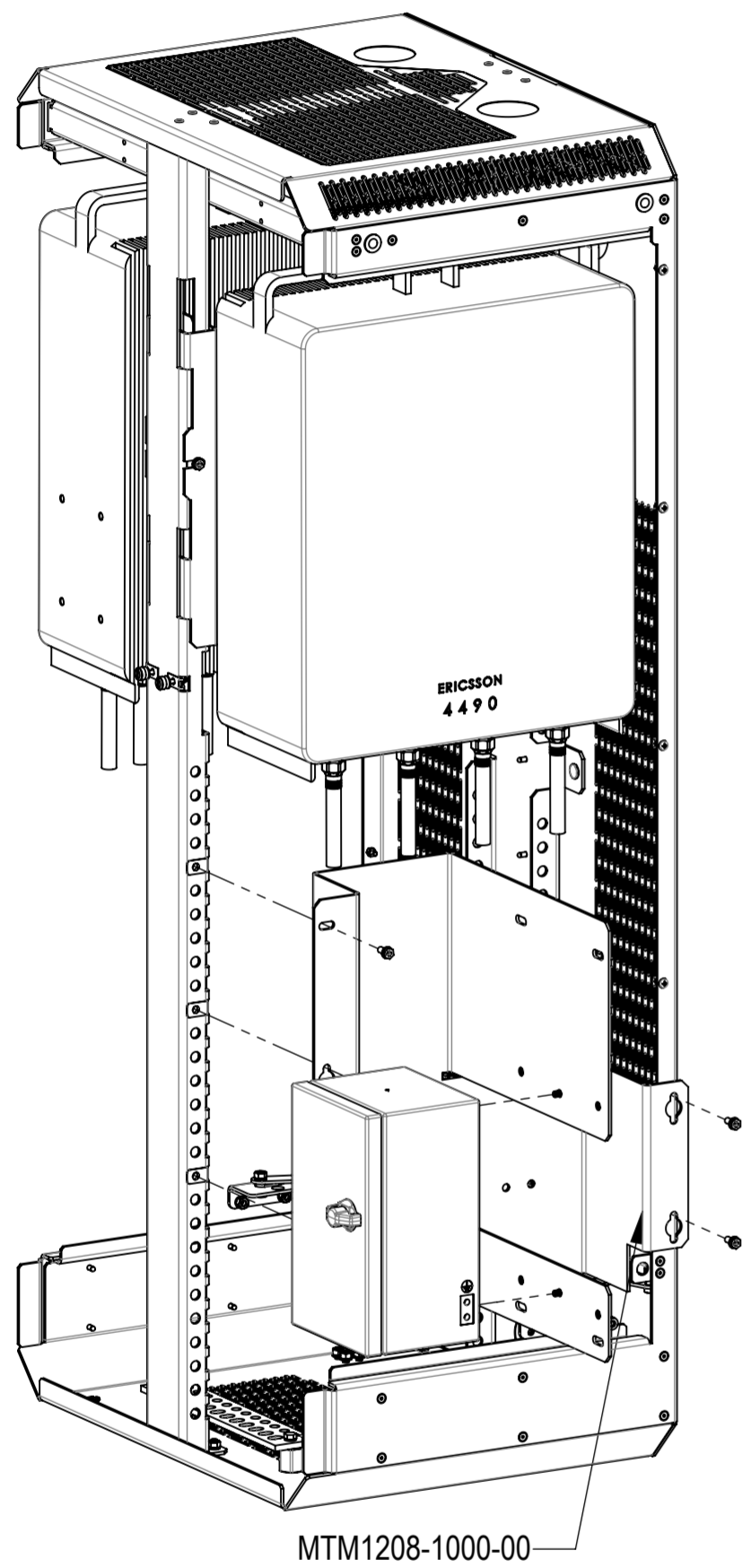
INSTALL THE BRACKET MTM1208-2000-CR ON ENCLOSURE AND SECURE BY 2 SETS OF M6 SCREW AND CLIP NUT

INSTALL 8863 WITH BRACKET ON ENCLOSURE AND SECURE BY 5 SETS OF M6 SCREW AND CLIP NUT



FAN KITS INSTALLATION

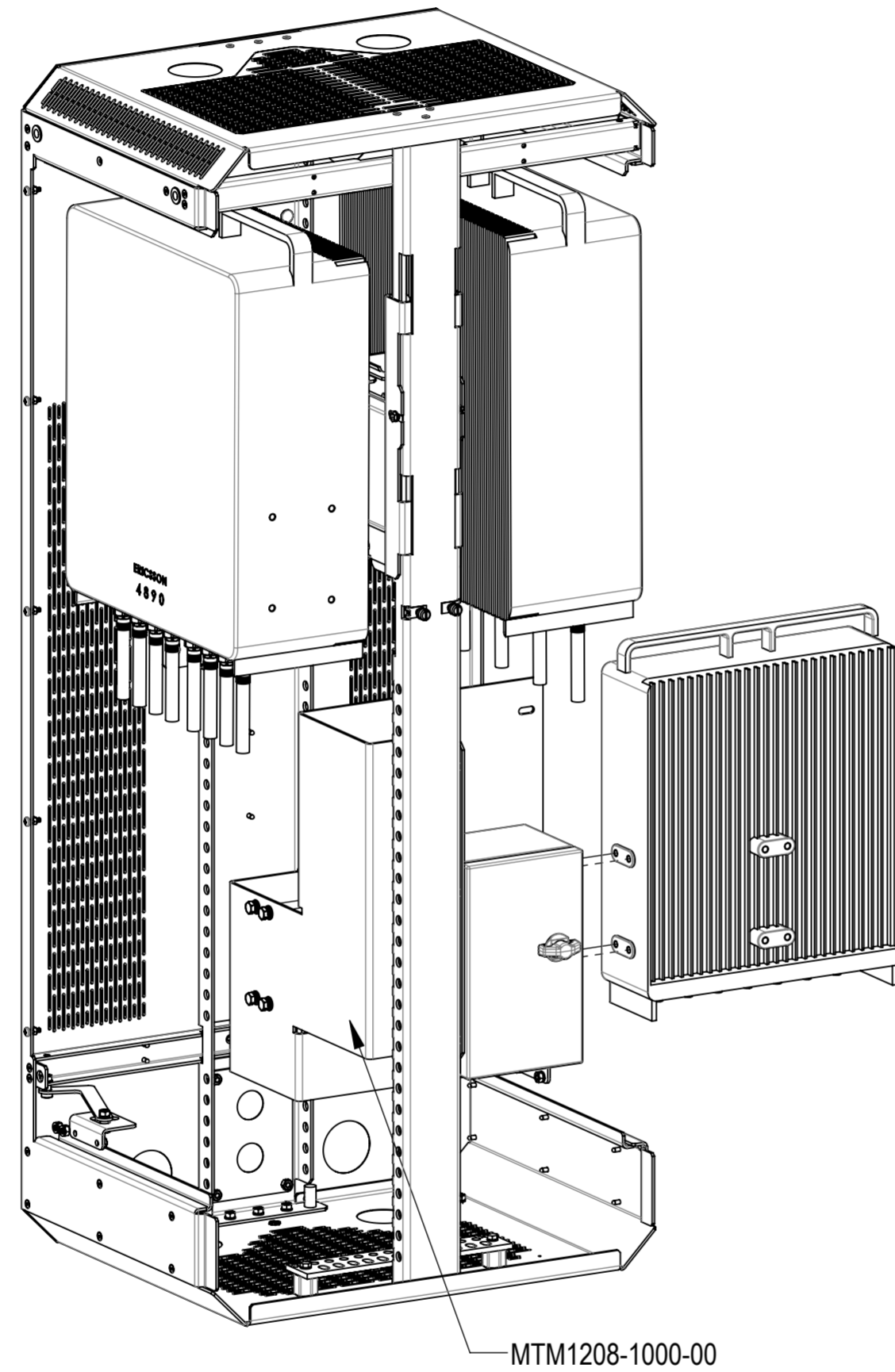
INSTALL THE FAN KIT 860661736-MV2-C03X TO THE TOP OF DBHP, SEE 860661736-MV2-C03-INSTALL



PTS 90X21 INSTALLATION

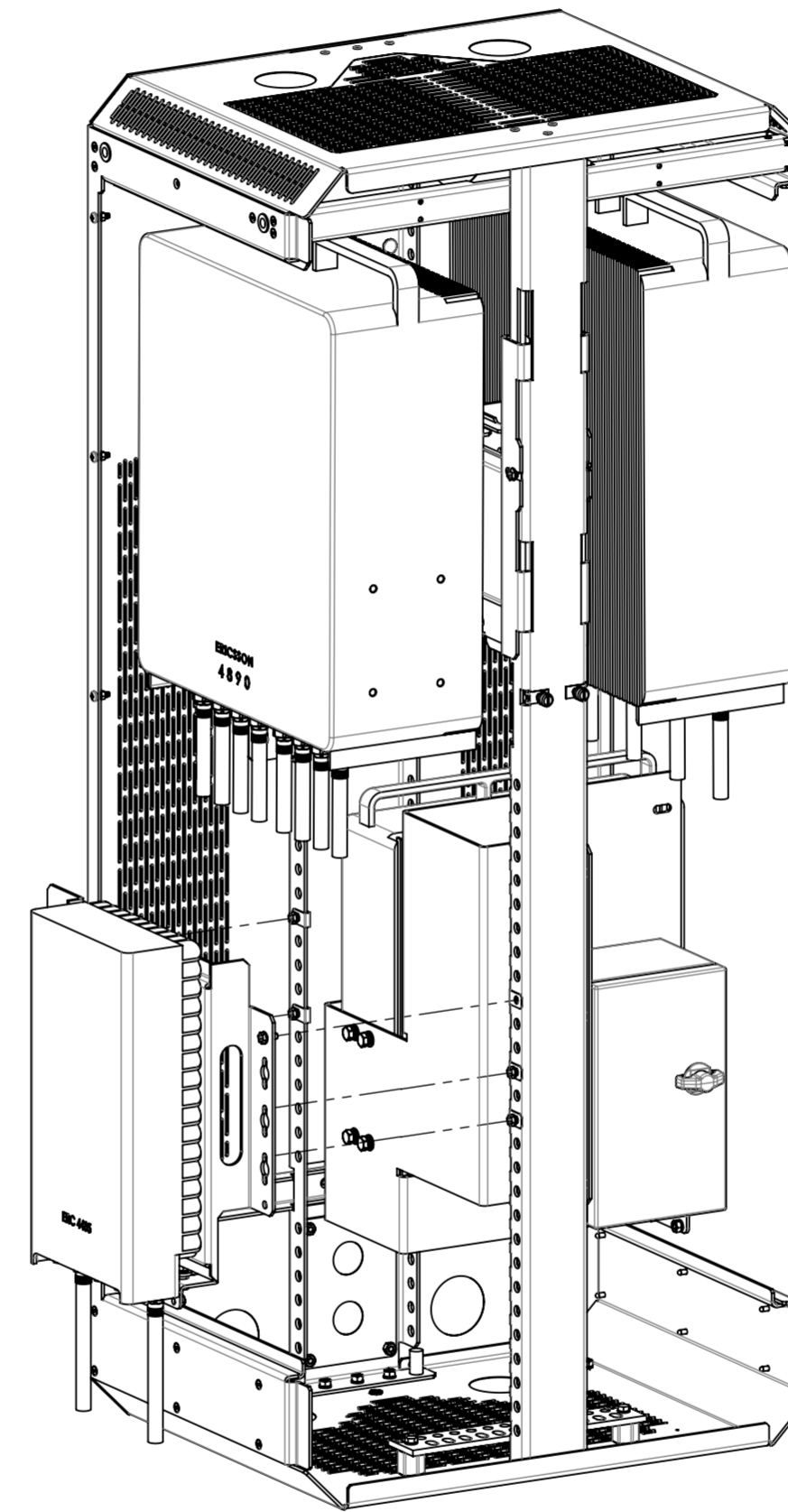
INSTALL THE BRACKET MTM1128-1000-00 ON ENCLOSURE AND SECURE BY 5 SETS OF M6 SCREW AND CLIP NUT

INSTALL PTS TO THE BRACKET MTM1128-1000-00 USING 2 SETS OF 1/4 HEX BOLT, LOCK WASHER AND FLAT WASHER AS SHOWN



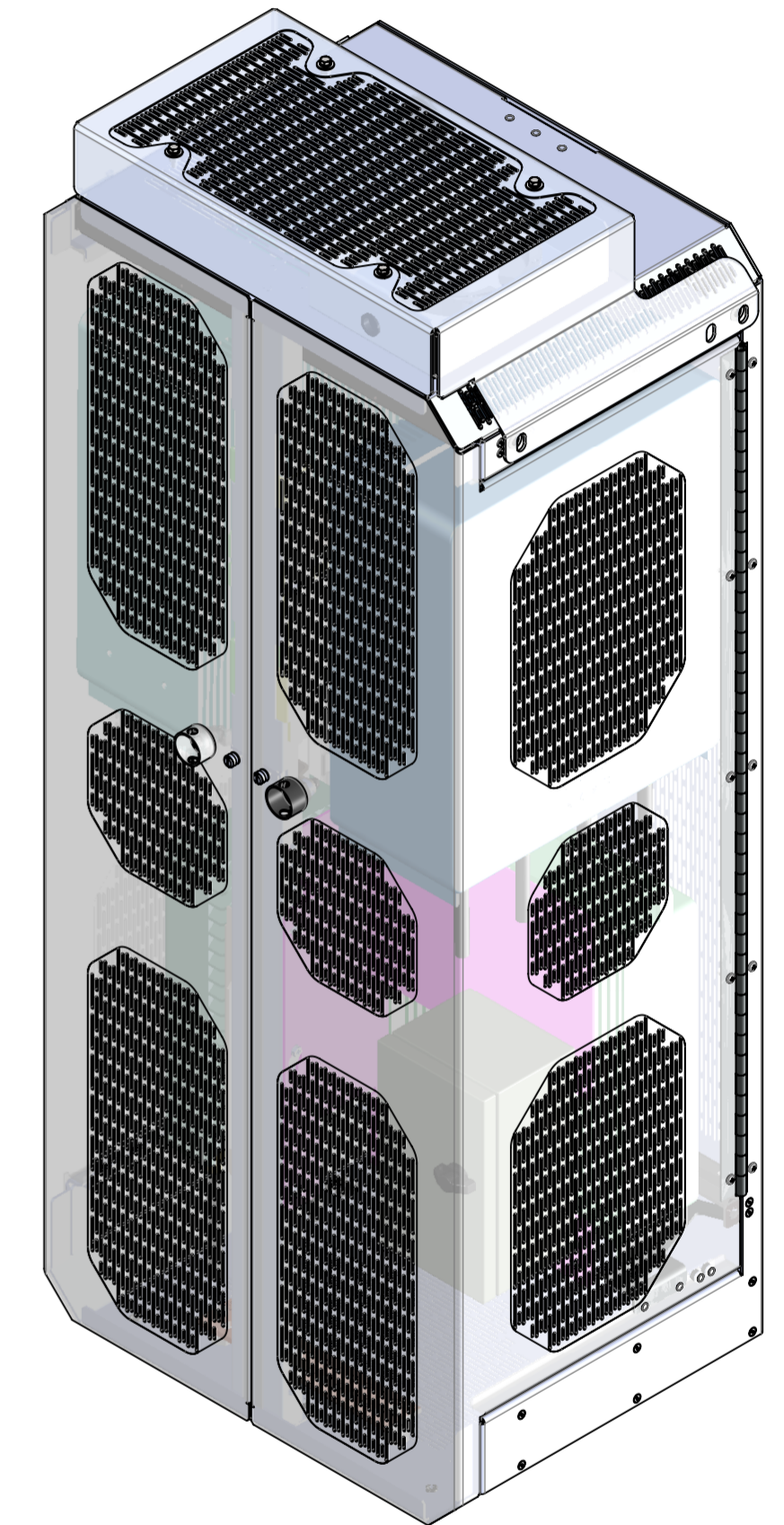
6308 INSTALLATION

INSTALL 6308 ON BRACKET MTM1208-1000-00 AND USING 4 SETS OF M8 HEX BOLT, LOCK WASHER AND FLAT WASHER AS SHOWN



4435 INSTALLATION

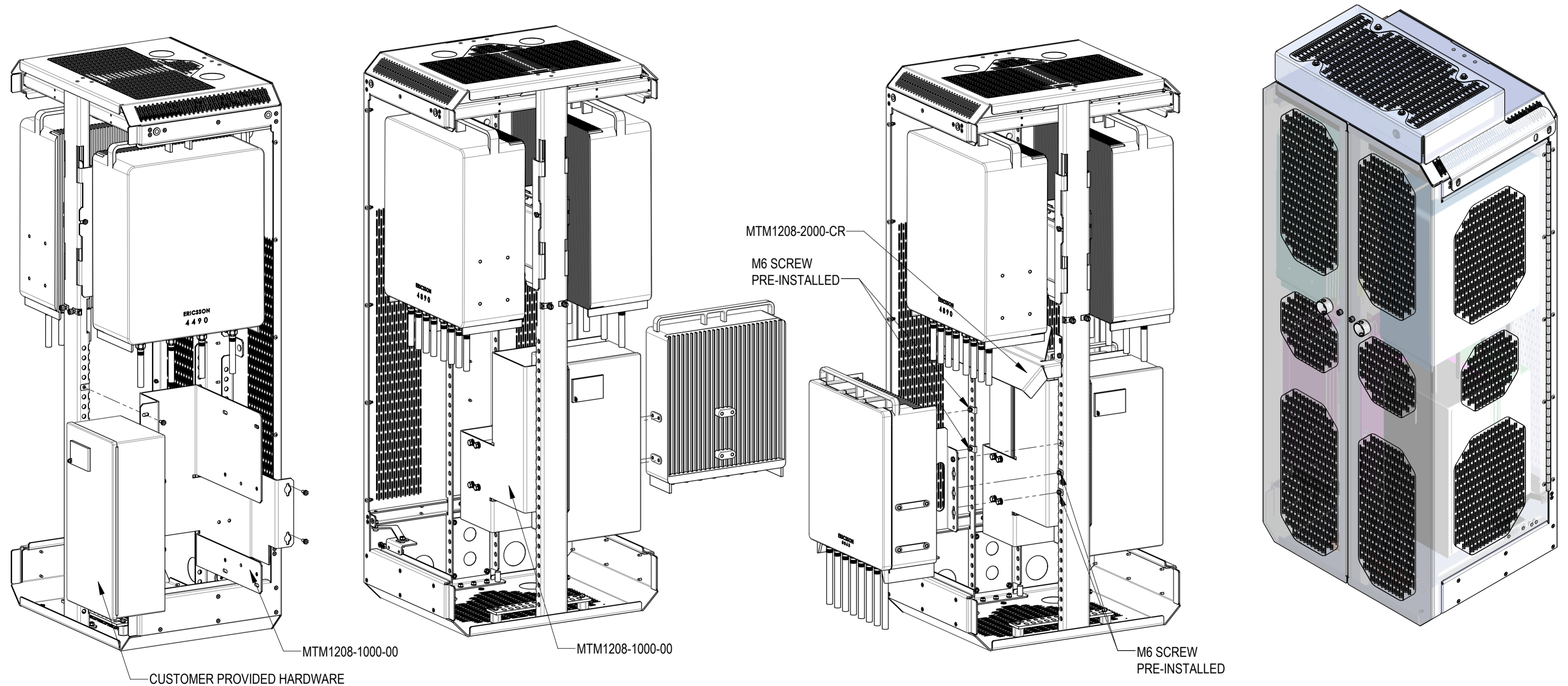
INSTALL 4435 WITH BRACKET ON ENCLOSURE AND SECURE BY 5 SETS OF M6 SCREW AND CLIP NUT



FAN KITS INSTALLATION

INSTALL THE FAN KIT 860661736-MV2-C03X TO THE TOP OF DBHP, SEE 860661736-MV2-C03-INSTALL

C4- 8863 4490 4890 PSU6308 AND RAYCAP



RAYCAP INSTALLATION

INSTALL THE BRACKET MTM1128-1000-00 ON ENCLOSURE AND SECURE BY 5 SETS OF M6 SCREW AND CLIP NUT

INSTALL RSD-F SERIES TO THE BRACKET MTM1128-1000-00 USING 4 SETS OF 1/4 CUSTOMER PROVIDED HARDWARE (OR RSCAC SERIES USING 4 SETS OF M6 HARDWARE)

6308 INSTALLATION

INSTALL 6308 ON BRACKET MTM1208-1000-00 AND USING 4 SETS OF M8 HEX BOLT, LOCK WASHER AND FLAT WASHER AS SHOWN

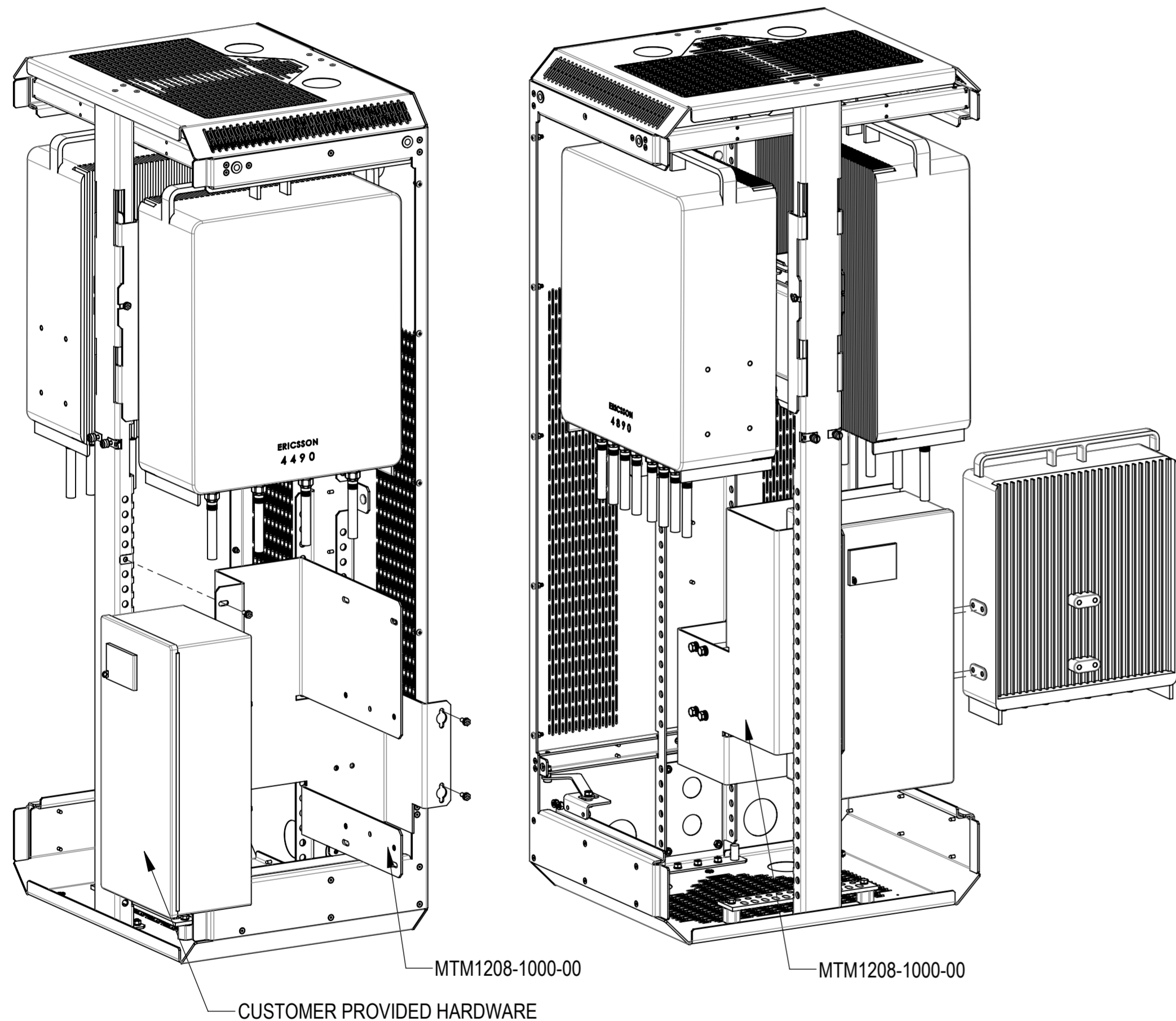
8863 INSTALLATION

INSTALL THE BRACKET MTM1208-2000-CR ON ENCLOSURE AND SECURE BY 2 SETS OF M6 SCREW AND CLIP NUT

INSTALL 8863 WITH BRACKET ON ENCLOSURE AND SECURE BY 5 SETS OF M6 SCREW AND CLIP NUT

FAN KITS INSTALLATION

INSTALL THE FAN KIT 860661736-MV2-C03X TO THE TOP OF DBHP, SEE 860661736-MV2-C03-INSTALL



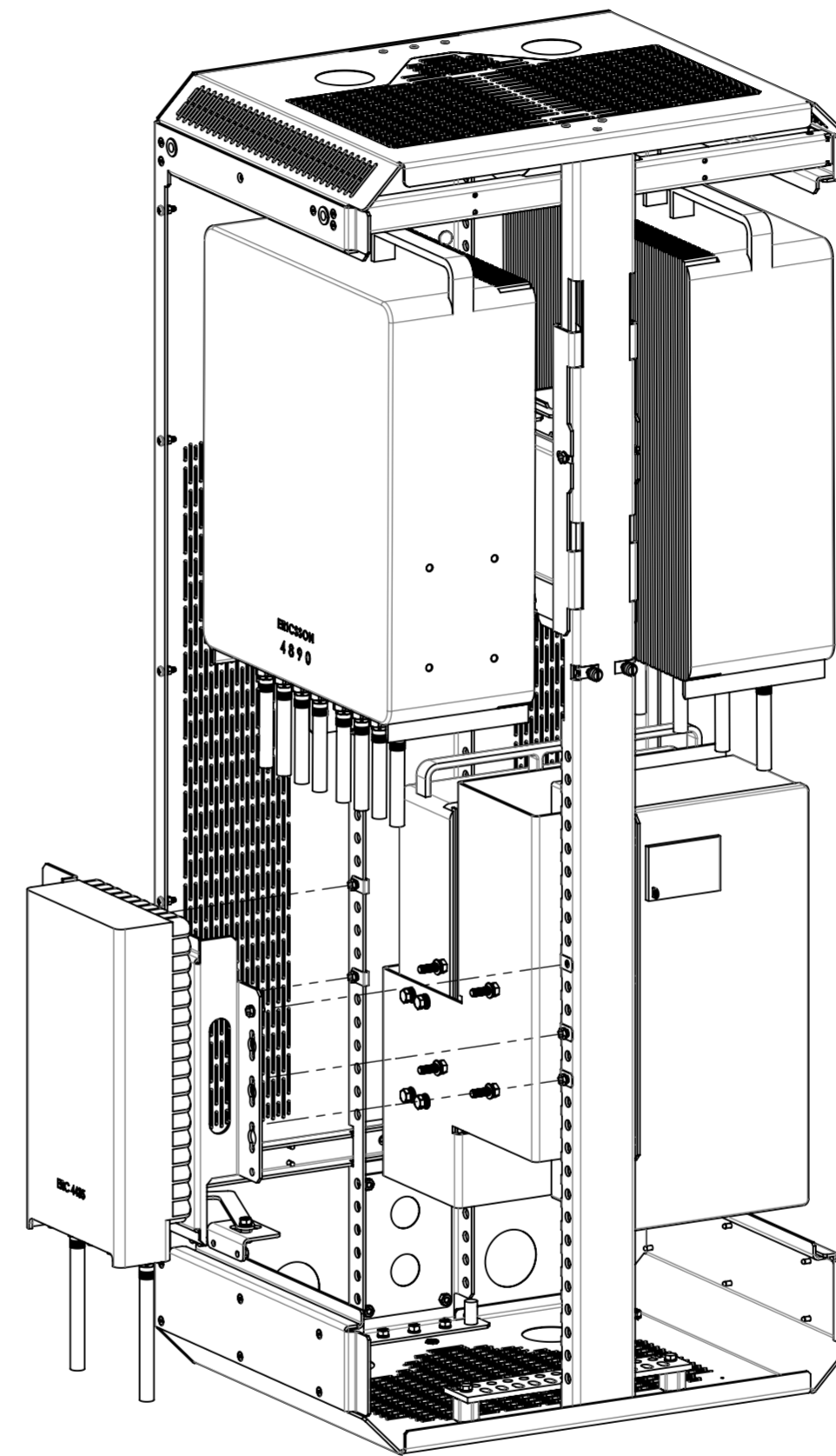
RAYCAP INSTALLATION

INSTALL THE BRACKET MTM128-1000-00 ON ENCLOSURE AND SECURE BY 5 SETS OF M6 SCREW AND CLIP NUT

INSTALL RSD-F SERIES TO THE BRACKET MTM128-1000-00 USING 4 SETS OF 1/4 CUSTOMER PROVIDED HARDWARE (OR RSCAC SERIES USING 4 SETS OF M6 HARDWARE)

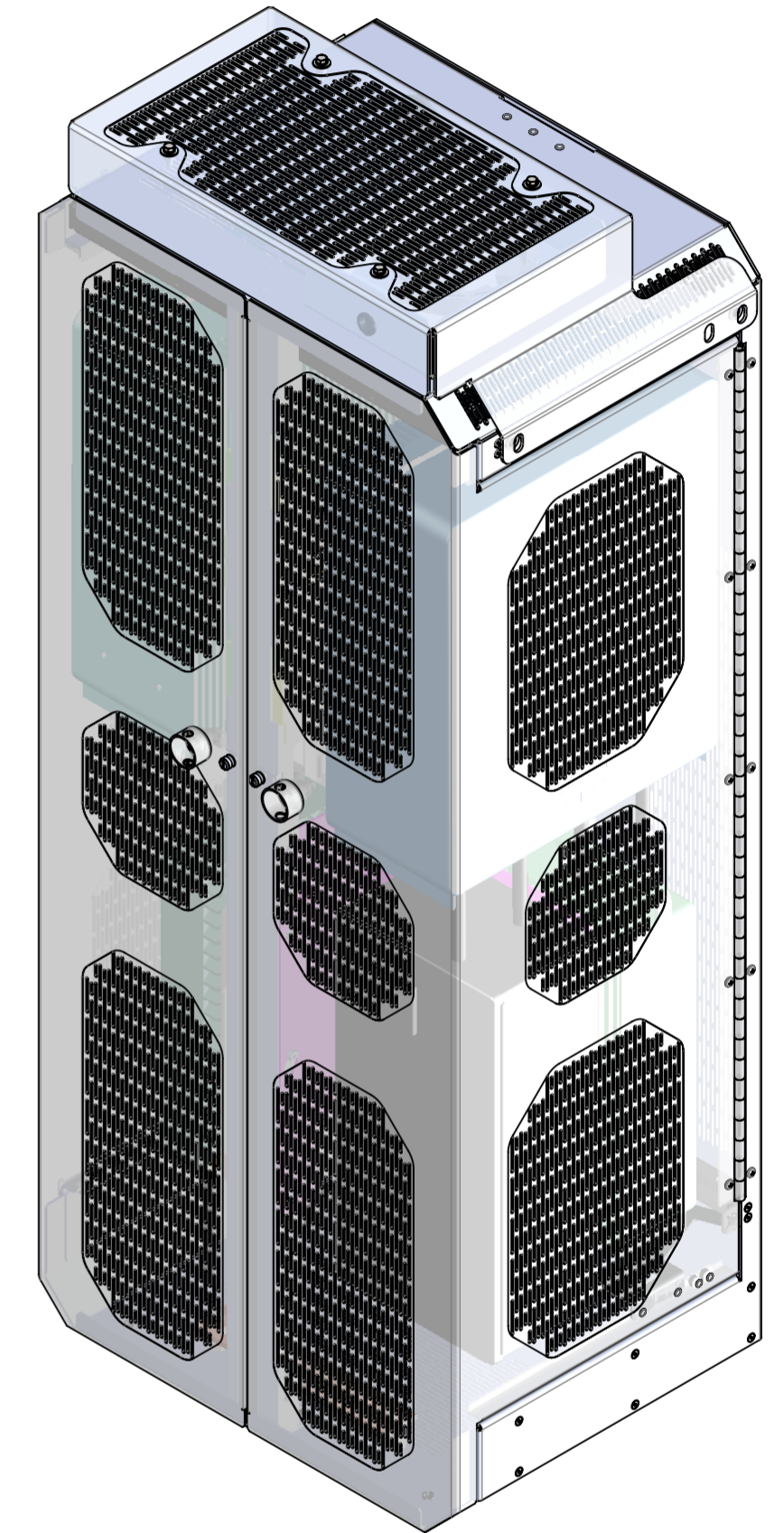
6308 INSTALLATION

INSTALL 6308 ON BRACKET MTM128-1000-00 AND USING 4 SETS OF M8 HEX BOLT, LOCK WASHER AND FLAT WASHER AS SHOWN



4435 INSTALLATION

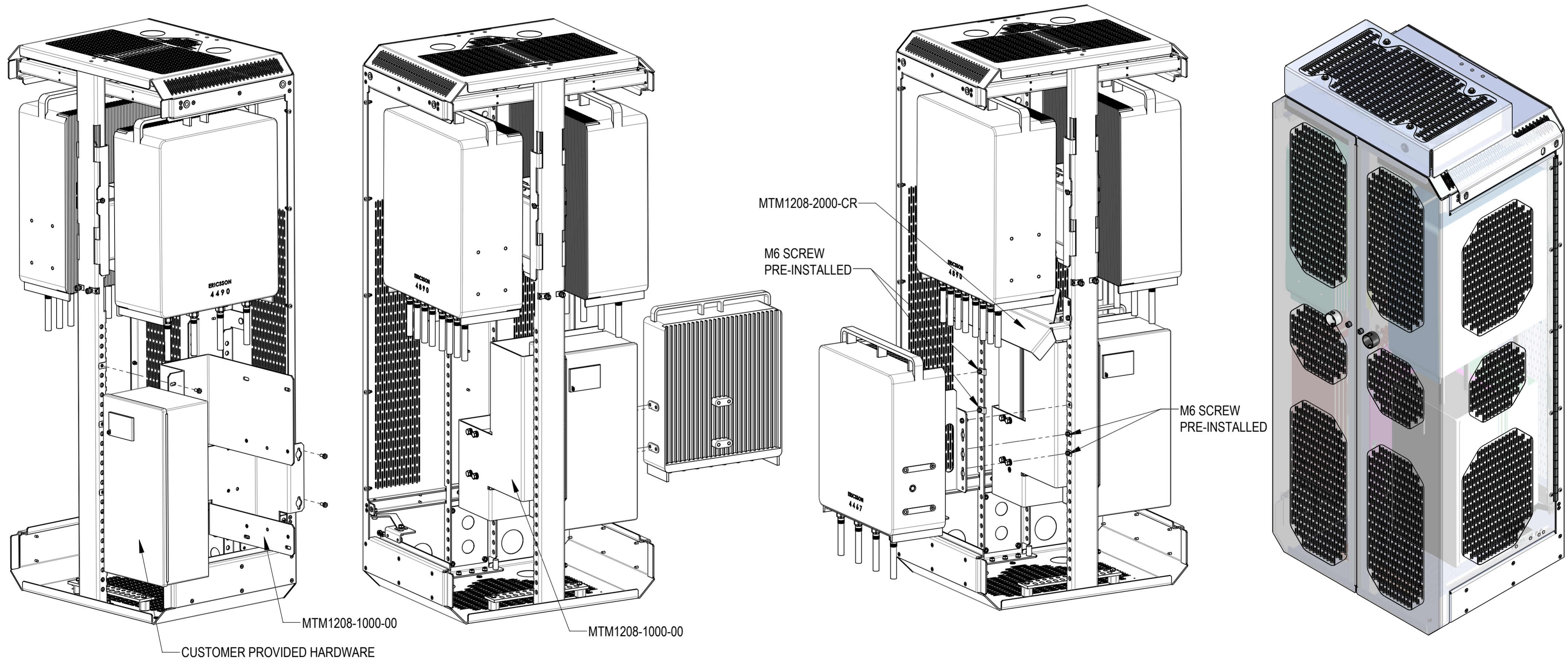
INSTALL 4435 WITH BRACKET ON ENCLOSURE AND SECURE BY 5 SETS OF M6 SCREW AND CLIP NUT



FAN KITS INSTALLATION

INSTALL THE FAN KIT 860661736-MV2-C03X TO THE TOP OF DBHP, SEE 860661736-MV2-C03-INSTALL

C6- 4467 4490 4890 PSU6308 AND RAYCAP



RAYCAP INSTALLATION

INSTALL THE BRACKET MTM1128-1000-00 ON ENCLOSURE AND SECURE BY 5 SETS OF M6 SCREW AND CLIP NUT

INSTALL RSD-F SERIES TO THE BRACKET MTM1128-1000-00 USING 4 SETS OF 1/4 CUSTOMER PROVIDED HARDWARE (OR RSCAC SERIES USING 4 SETS OF M6 HARDWARE)

6308 INSTALLATION

INSTALL 6308 ON BRACKET MTM1208-1000-00 AND USING 4 SETS OF M8 HEX BOLT, LOCK WASHER AND FLAT WASHER AS SHOWN

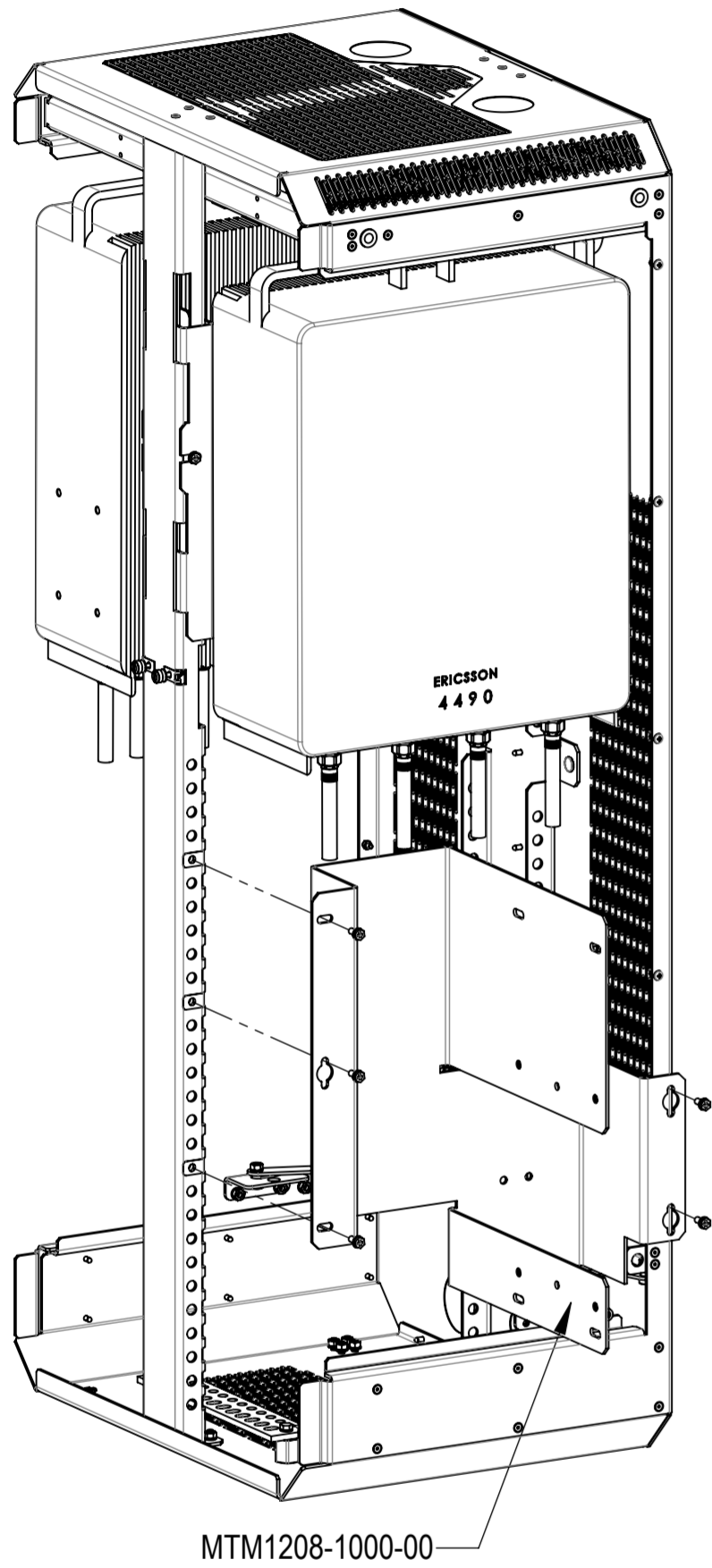
4467 INSTALLATION

INSTALL THE BRACKET MTM1208-2000-CR ON ENCLOSURE AND SECURE BY 2 SETS OF M6 SCREW AND CLIP NUT

INSTALL 4467 WITH BRACKET ON ENCLOSURE AND SECURE BY 5 SETS OF M6 SCREW AND CLIP NUT

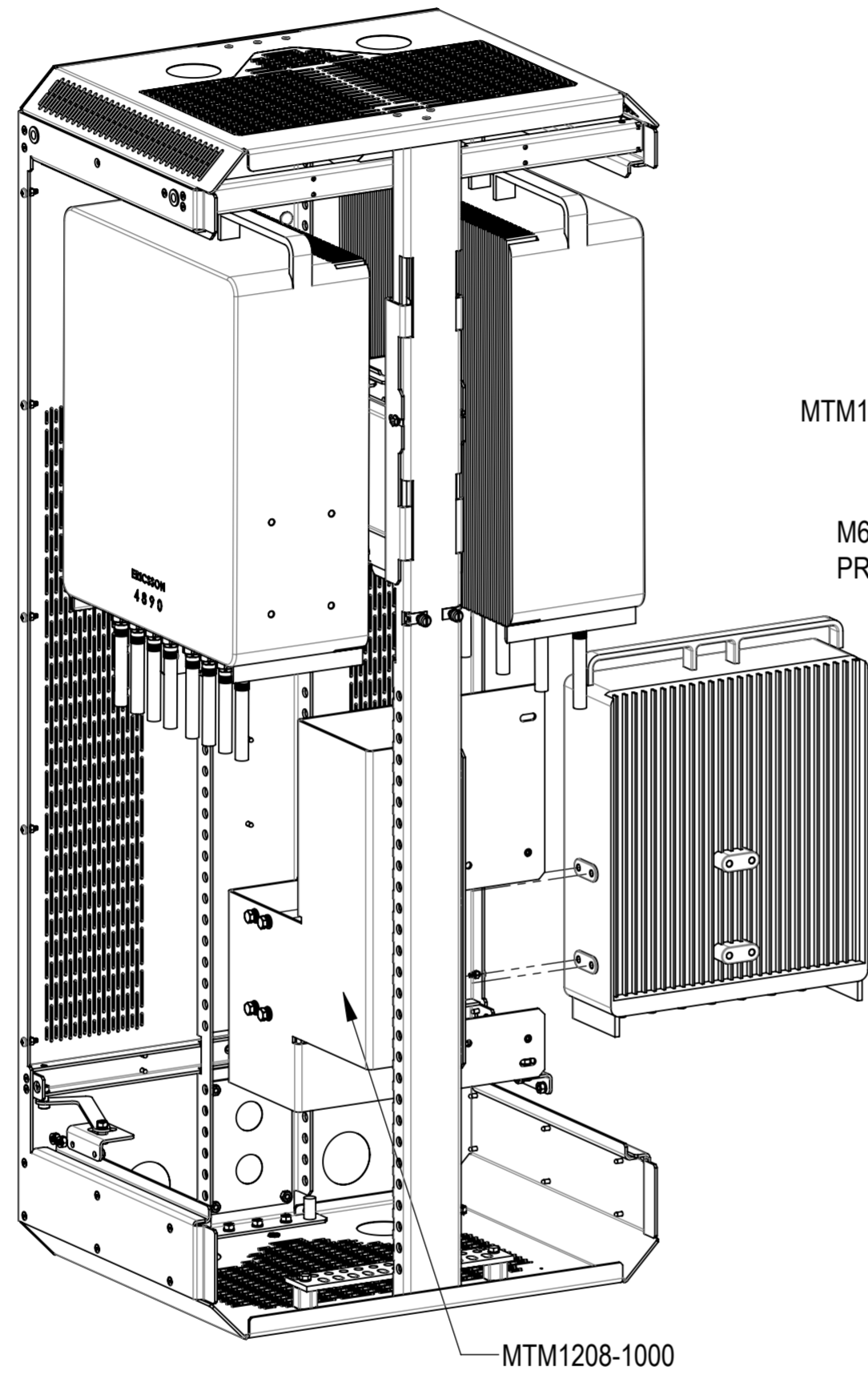
FAN KITS INSTALLATION

INSTALL THE FAN KIT 860661736-MV2-C03X TO THE TOP OF DBHP, SEE 860661736-MV2-C03-INSTALL



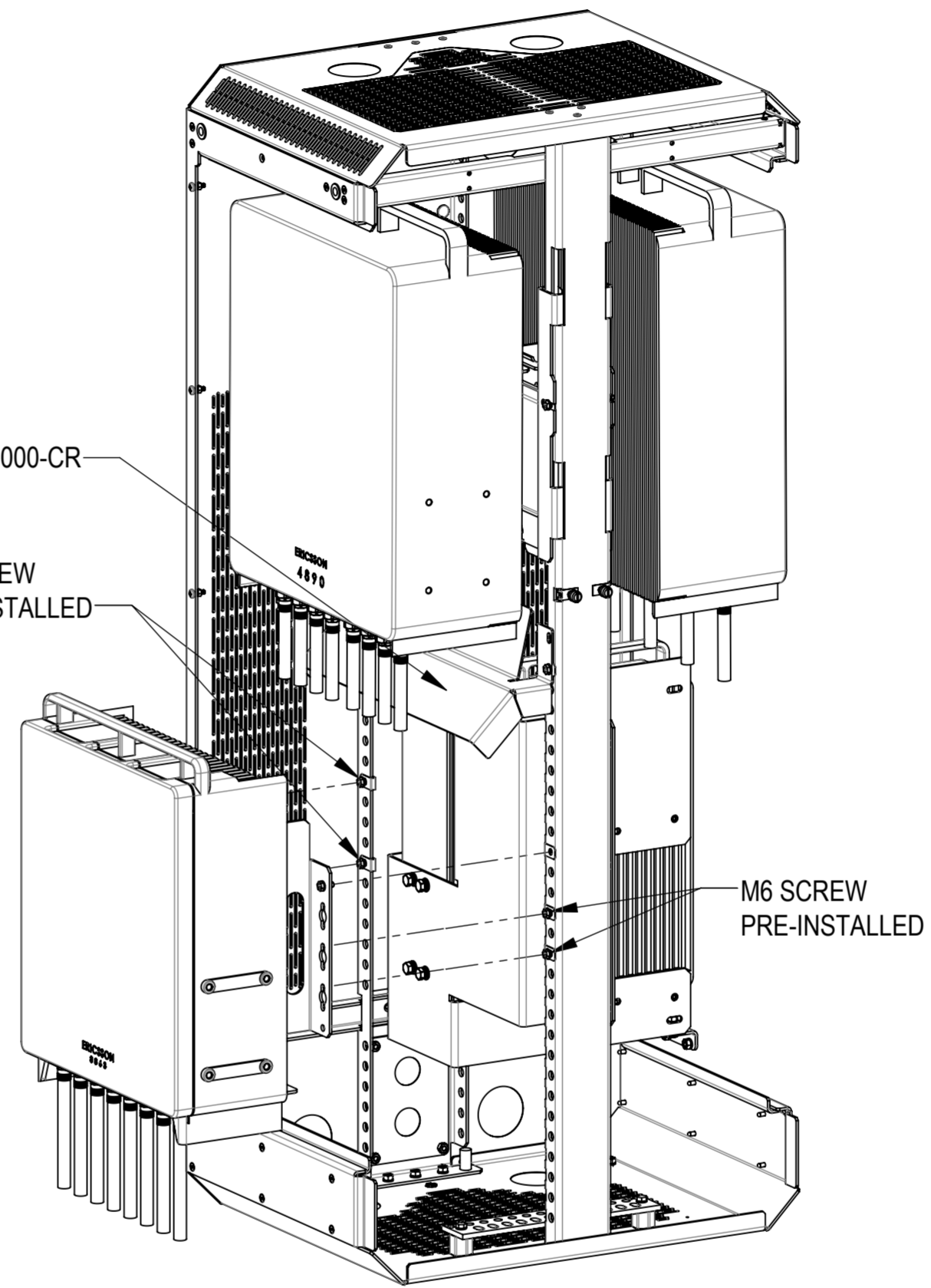
BRKT MTM1208-1000-00 INSTALLATION

INSTALL THE BRACKET MTM1208-1000-00 ON ENCLOSURE AND SECURE BY 5 SETS OF M6 SCREW AND CLIP NUT



6308 INSTALLATION

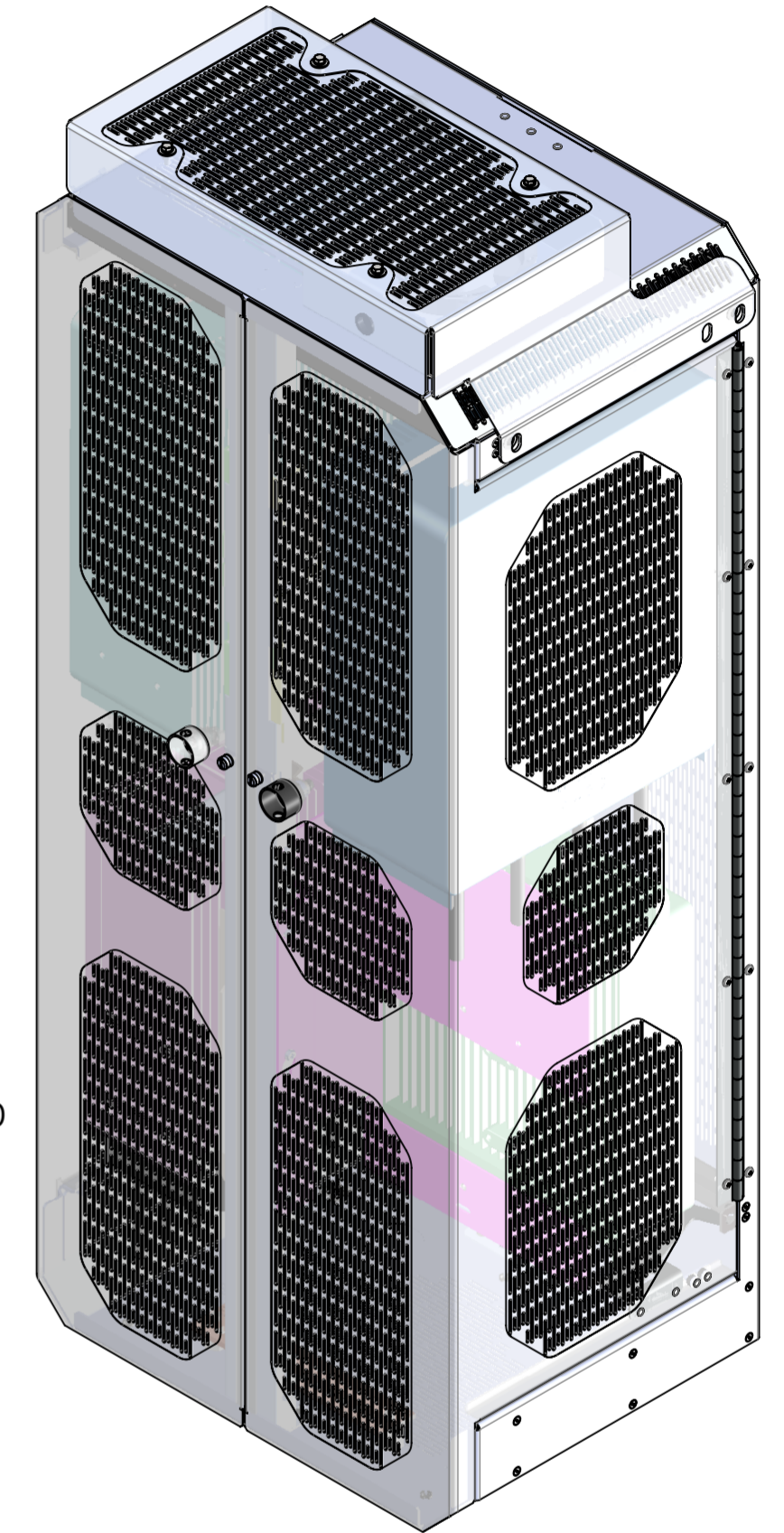
INSTALL 6308 ON BRACKET MTM1208-1000-00 AND USING 4 SETS OF M8 HEX BOLT, LOCK WASHER AND FLAT WASHER AS SHOWN



8863 INSTALLATION

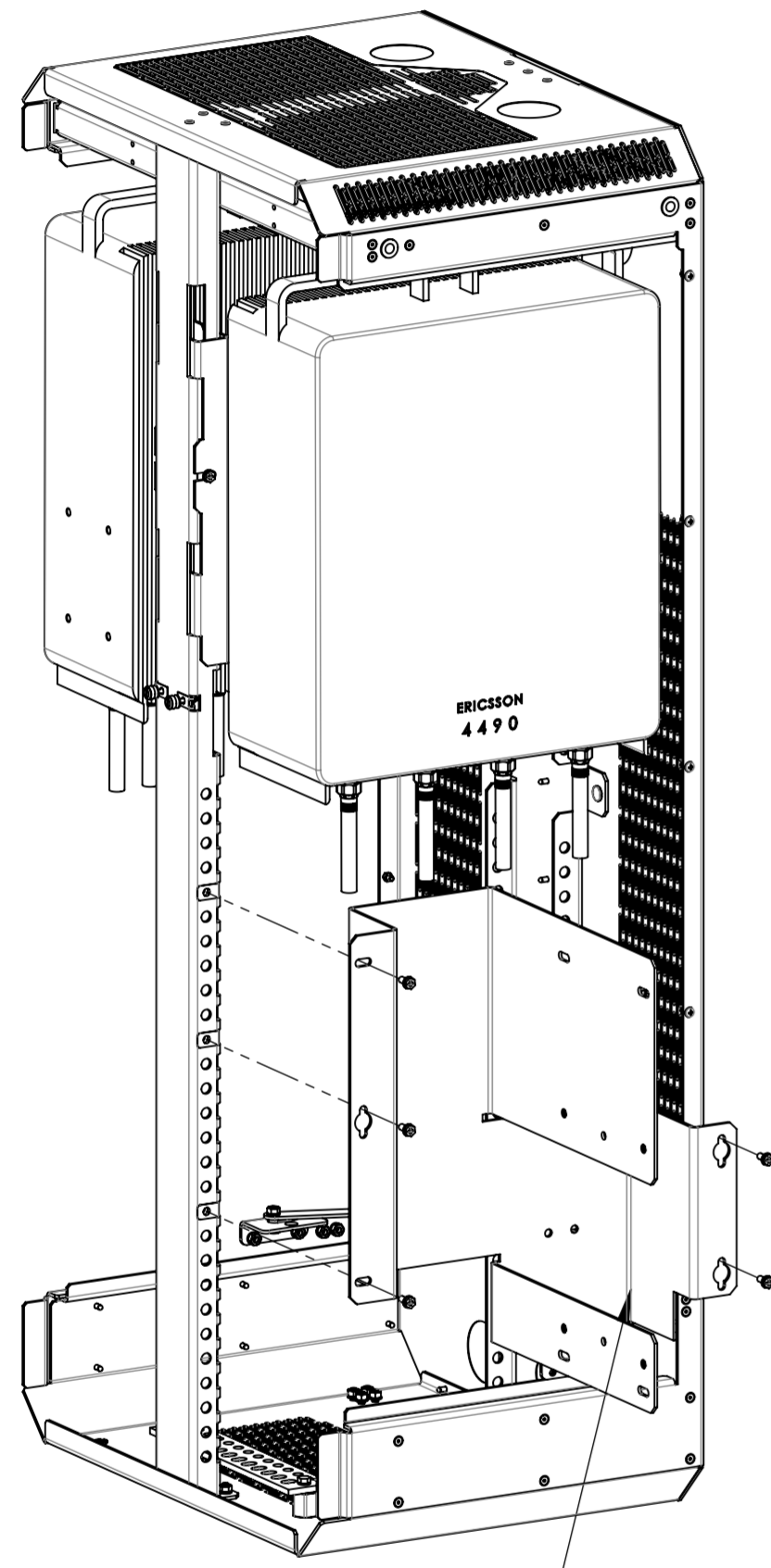
INSTALL THE BRACKET MTM1208-2000-CR ON ENCLOSURE AND SECURE BY 2 SETS OF M6 SCREW AND CLIP NUT

INSTALL 8863 WITH BRACKET ON ENCLOSURE AND SECURE BY 5 SETS OF M6 SCREW AND CLIP NUT



FAN KITS INSTALLATION

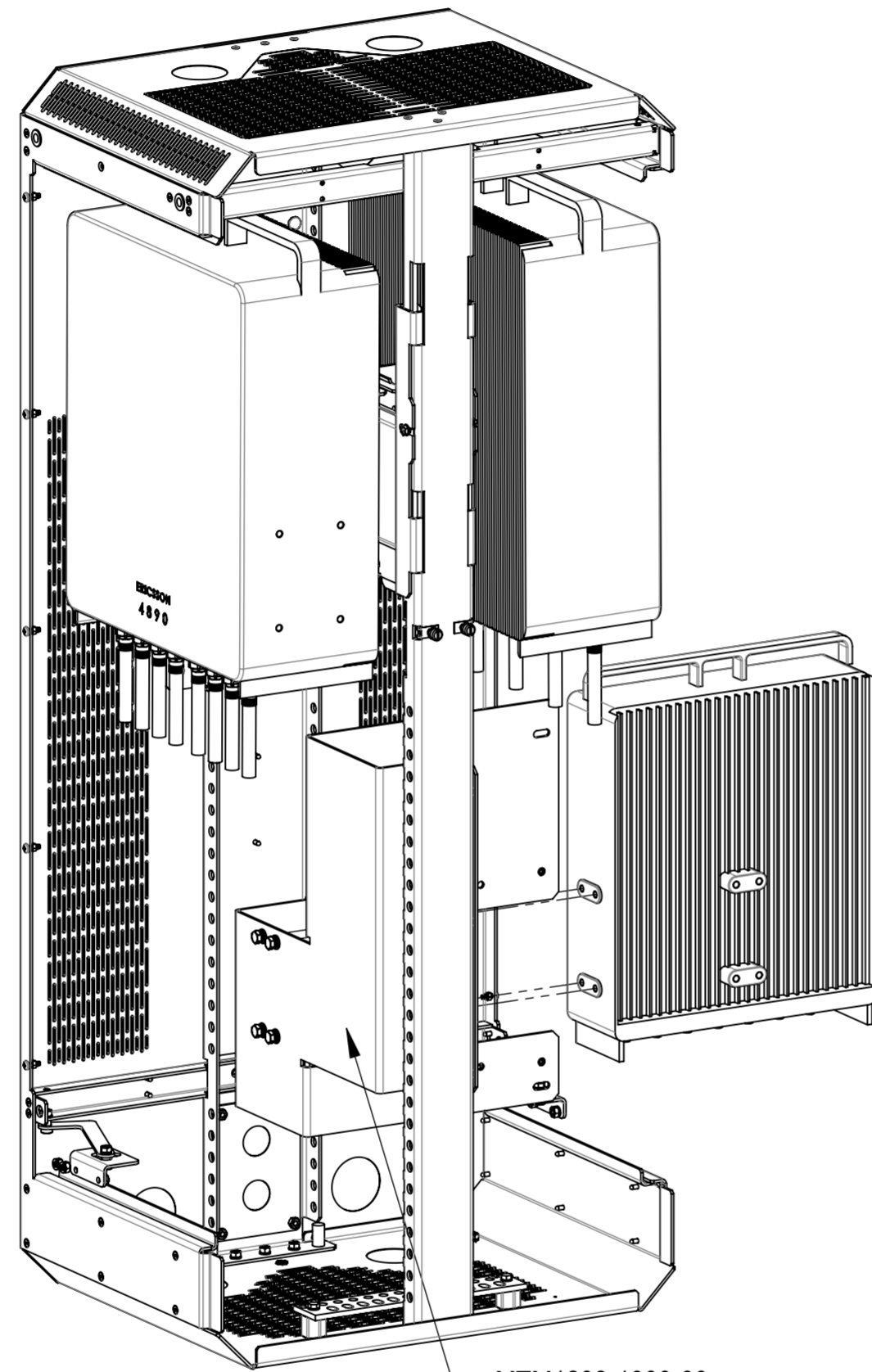
INSTALL THE FAN KIT 860661736-MV2-C03X TO THE TOP OF DBHP, SEE 860661736-MV2-C03-INSTALL



MTM1208-1000-00

BRKT MTM128-1000-00 INSTALLATION

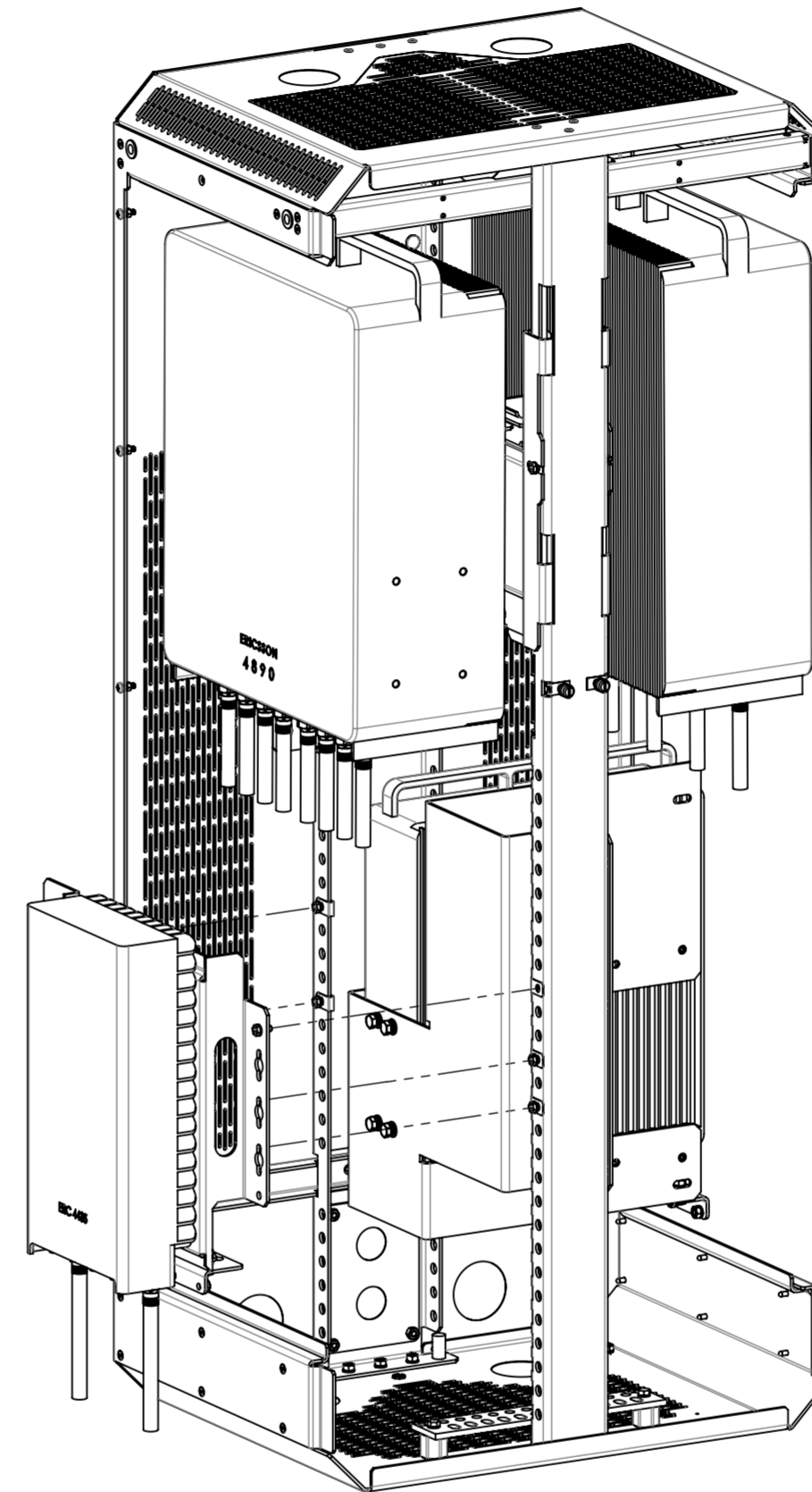
INSTALL THE BRACKET MTM128-1000-00 ON ENCLOSURE AND SECURE BY 5 SETS OF M6 SCREW AND CLIP NUT



MTM1208-1000-00

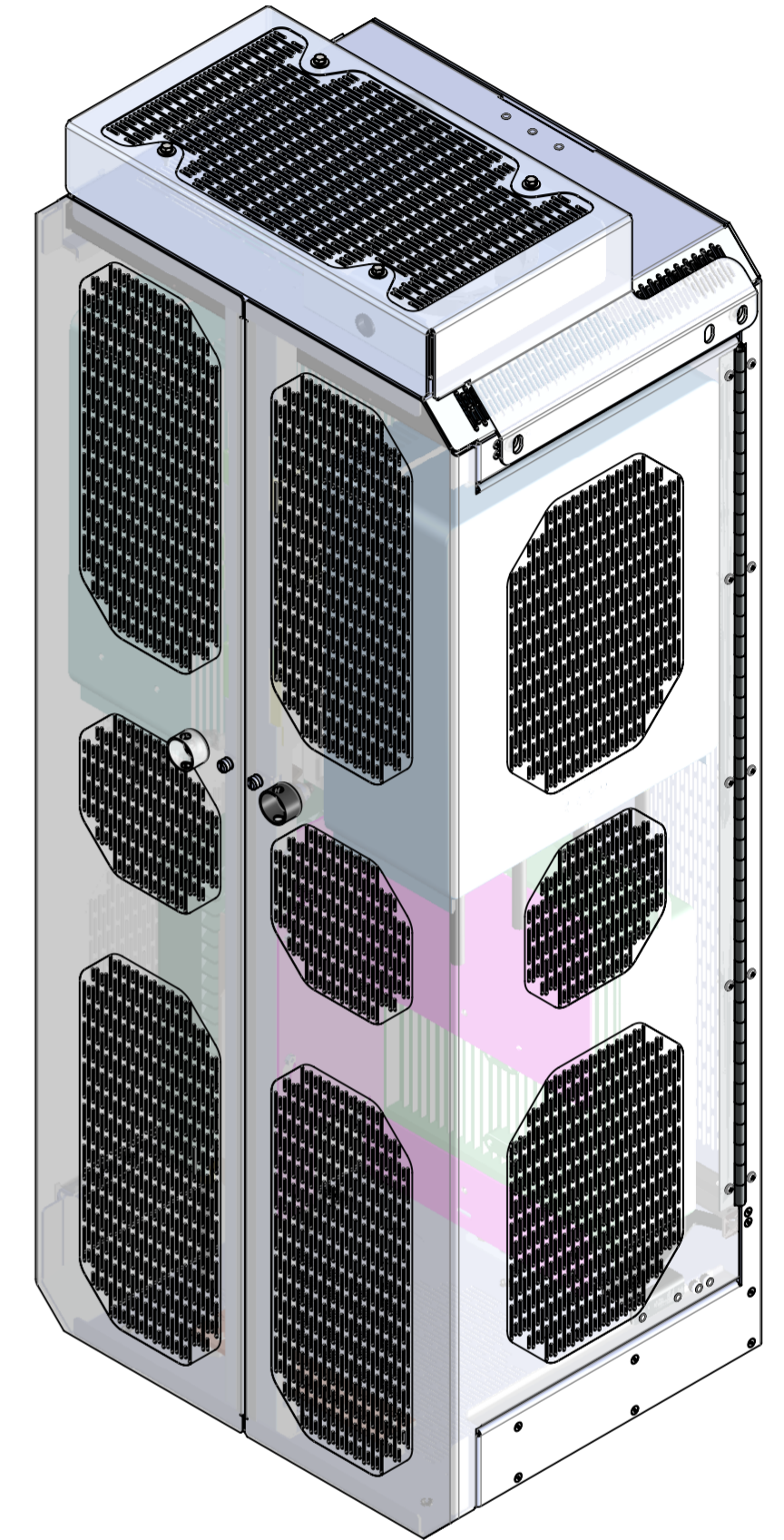
6308 INSTALLATION

INSTALL 6308 ON BRACKET MTM1208-1000-00 AND USING 4 SETS OF M8 HEX BOLT, LOCK WASHER AND FLAT WASHER AS SHOWN



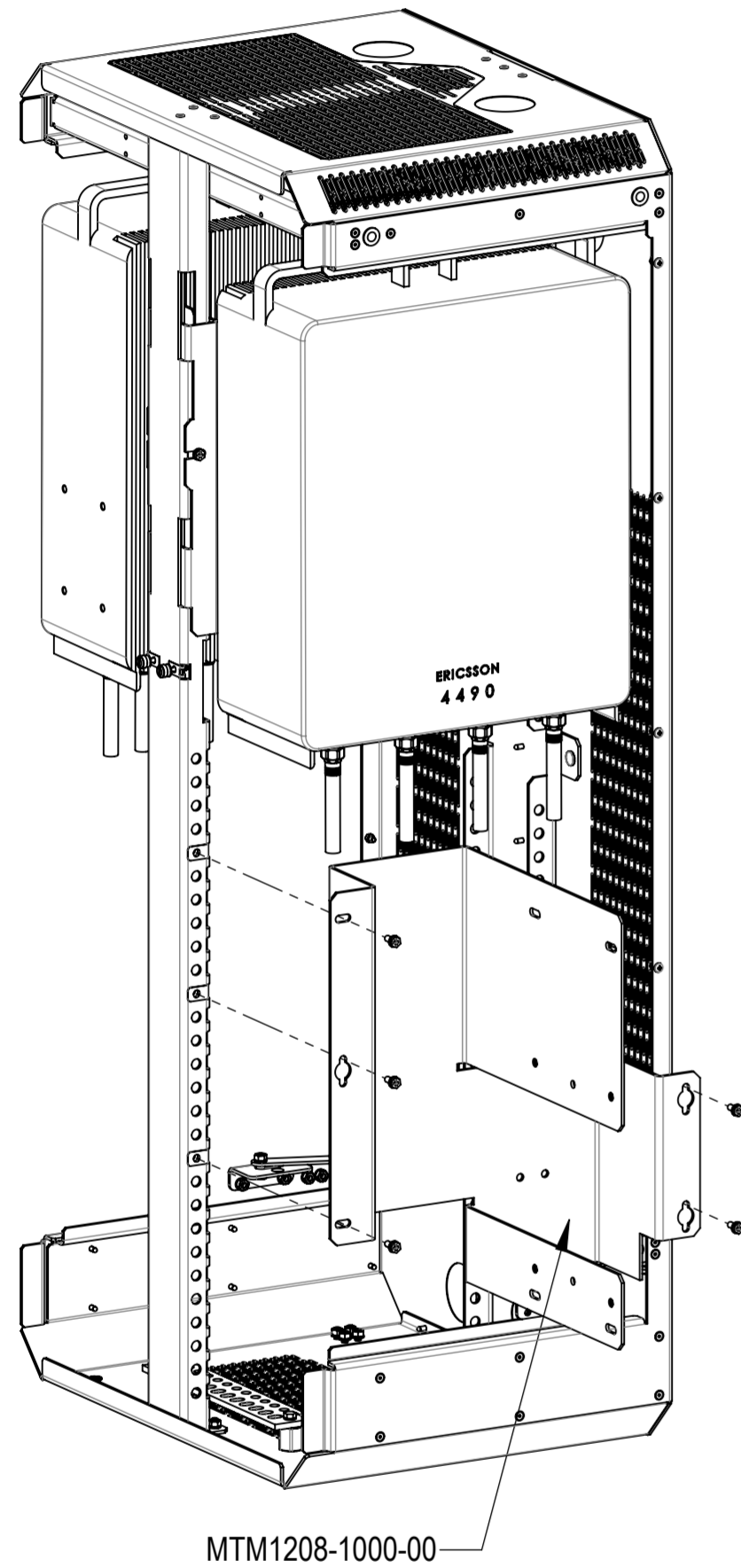
4435 INSTALLATION

INSTALL 4435 WITH BRACKET ON ENCLOSURE AND SECURE BY 5 SETS OF M6 SCREW AND CLIP NUT



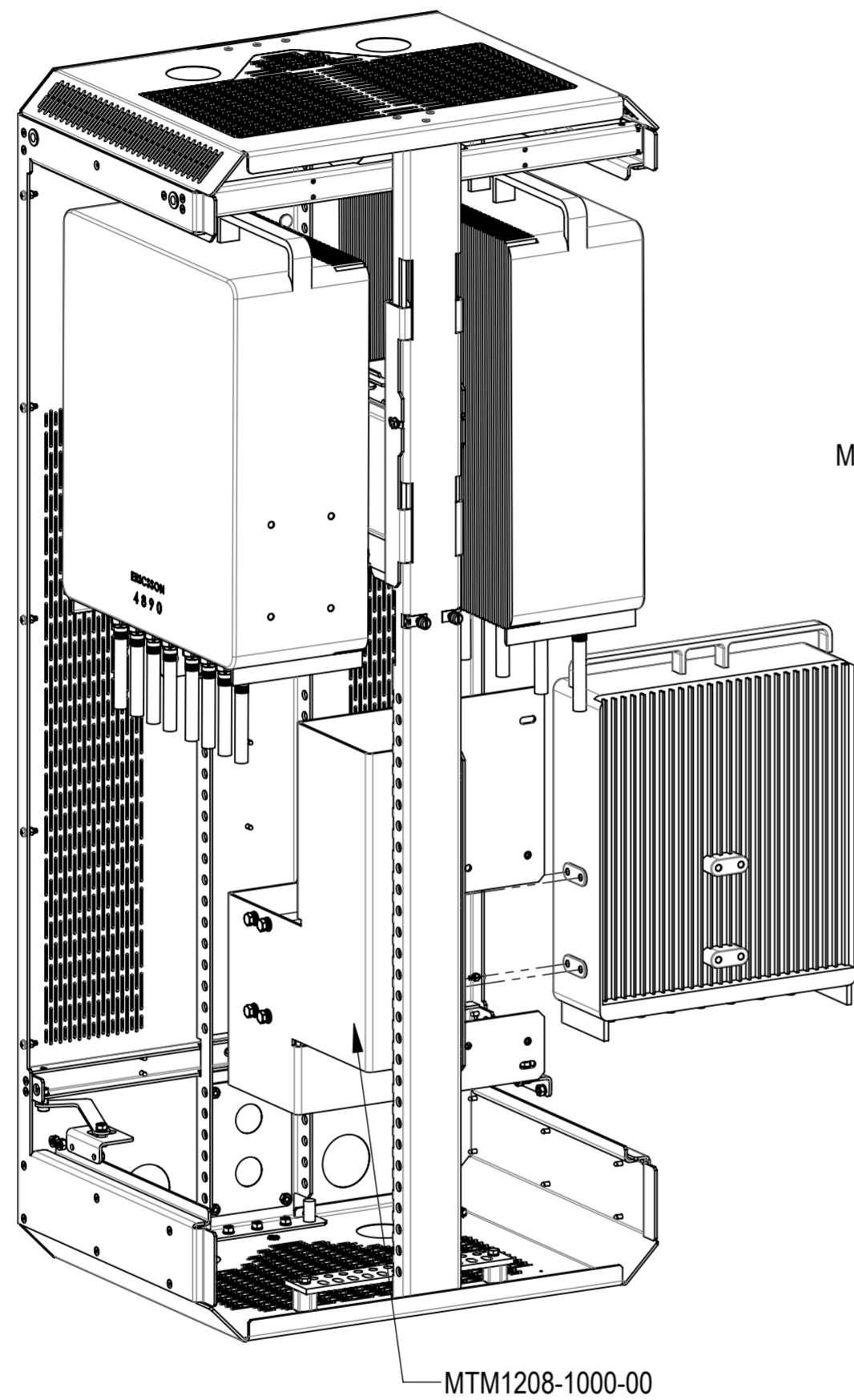
FAN KITS INSTALLATION

INSTALL THE FAN KIT 860661736-MV2-C03X TO THE TOP OF DBHP, SEE 860661736-MV2-C03-INSTALL



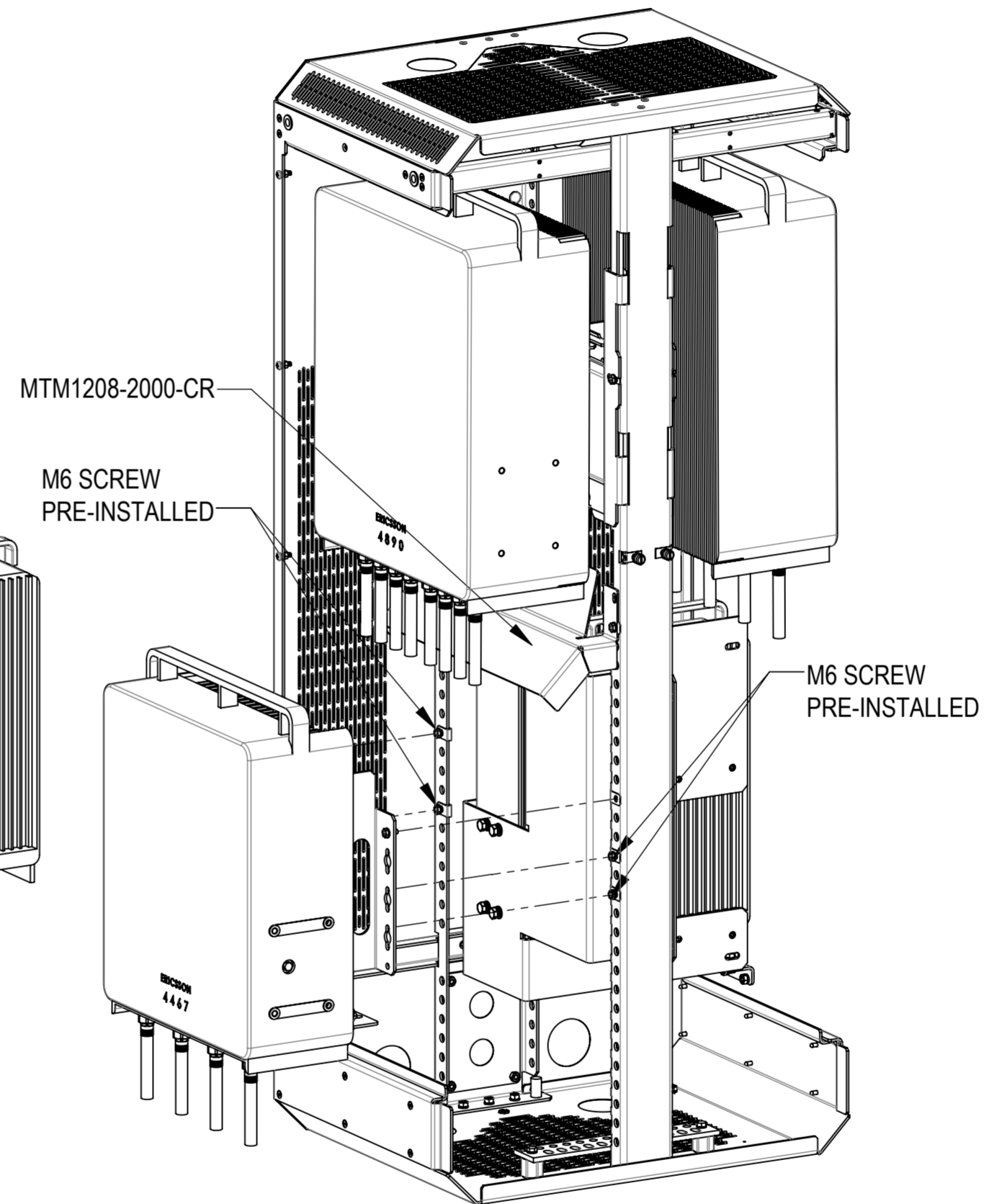
BRKT MTM1128-1000-00 INSTALLATION

INSTALL THE BRACKET MTM1128-1000-00 ON ENCLOSURE AND SECURE BY 5 SETS OF M6 SCREW AND CLIP NUT



6308 INSTALLATION

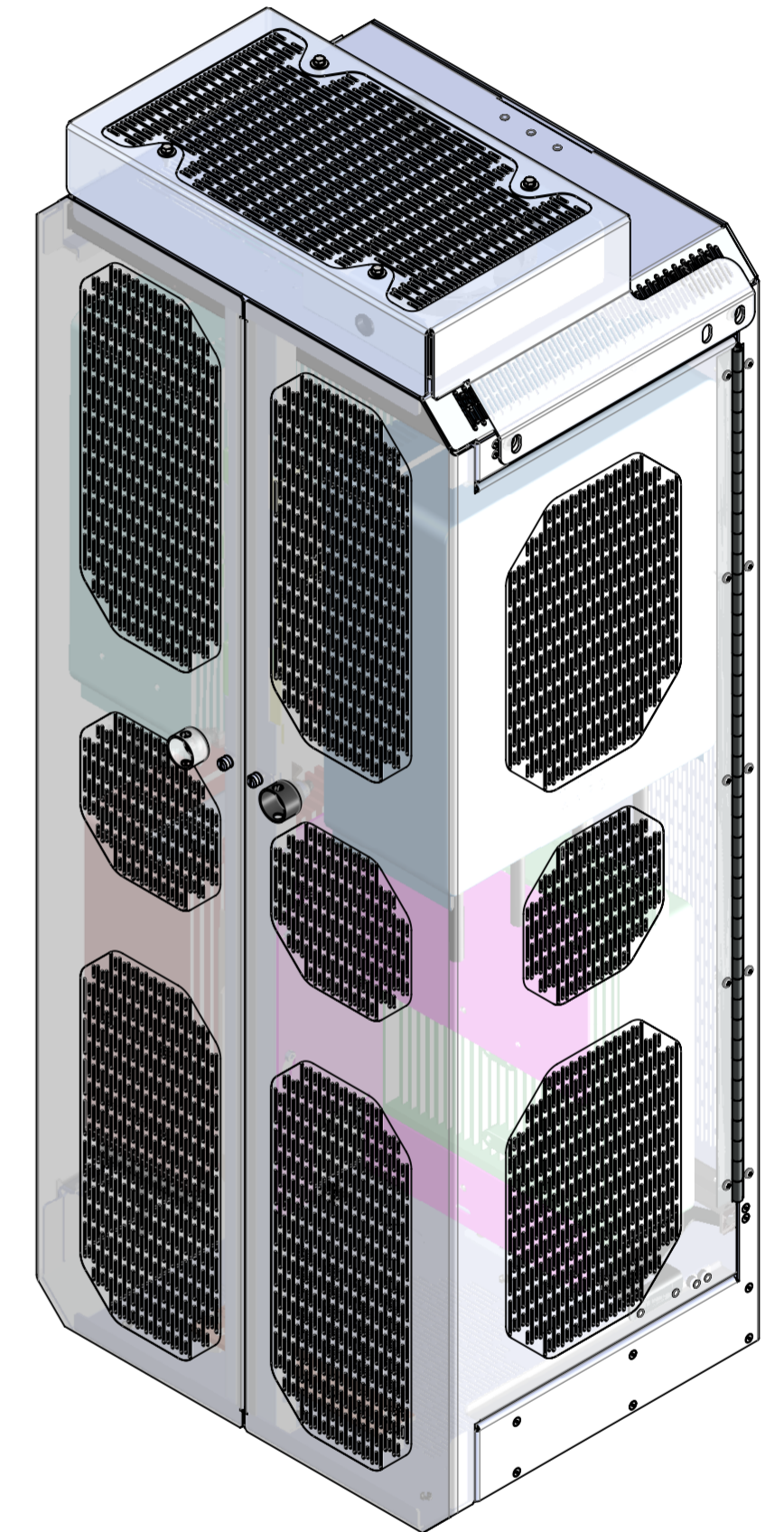
INSTALL 6308 ON BRACKET MTM1208-1000-00 AND USING 4 SETS OF M8 HEX BOLT, LOCK WASHER AND FLAT WASHER AS SHOWN



4467 INSTALLATION

INSTALL THE BRACKET MTM1208-2000-CR ON ENCLOSURE AND SECURE BY 2 SETS OF M6 SCREW AND CLIP NUT

INSTALL 4467 WITH BRACKET ON ENCLOSURE AND SECURE BY 5 SETS OF M6 SCREW AND CLIP NUT



FAN KITS INSTALLATION

INSTALL THE FAN KIT 860661736-MV2-C03X TO THE TOP OF DBHP, SEE 860661736-MV2-C03-INSTALL