

1.0 GENERAL NOTES

- 1.1 ALL METRIC DIMENSIONS ARE IN BRACKETS [X.X]
- 1.2 FOR PATENT INFO: <https://www.cs-pat.com>

2.0 DESIGN NOTES

- 2.1 ANY HAZARDS OR OBSTRUCTIONS TO THE CLIMBING FACILITY AND SAFETY CLIMB MUST BE IDENTIFIED PRIOR TO INSTALLING THE APPURTENANCE. ADDITIONAL PRODUCTS MAY BE REQUIRED TO MAINTAIN THE INTEGRITY OF THE SAFETY CLIMB. DURING INSTALLATION, TEMPORARY AND/OR PERMANENT PRECAUTIONARY MEASURES SHOULD BE TAKEN TO PRESERVE THE CLIMBING FACILITY AND/OR SAFETY CLIMB.

3.0 MANUFACTURING/SPECIAL REQUIREMENTS

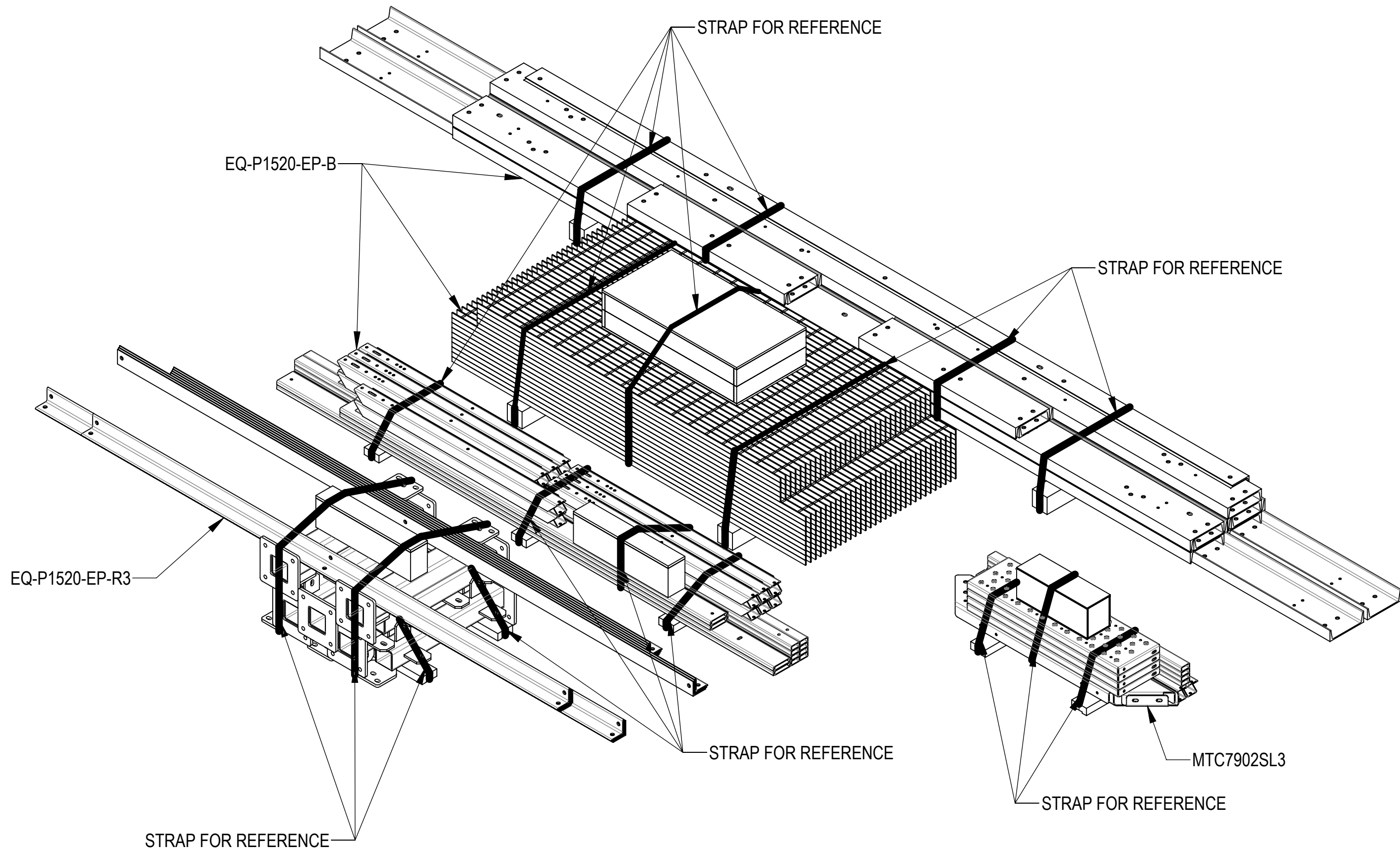
- 3.1 TIGHTEN ALL BOLTS SECURING FLAT PLATES BY THE TURN-OF-NUT METHOD. TIGHTEN ALL U-BOLTS USING TURN-OF-NUT METHOD WITH ATTENTION TO LEAVE EQUAL DISTANCE AND EQUAL FORCE ON EACH LEG OF THE U-BOLT.

4.0 TEST

5.0 PACKAGING

- 5.1 PACKAGING SHALL MEET COMMSCOPE REQUIREMENTS PER DOCUMENT IS-PL-3005
- 5.2 PRINTED DOCUMENT TO BE PLACED INSIDE POLYBAG AND THEN IN SHIPPING CONTAINER
- 5.3 EXTRA HARDWARE MAY BE SUPPLIED, BAGGED AND SHIPPED

REVISIONS			
REV.	DESCRIPTION	DATE	APPROVED
A	INITIAL RELEASE	RY1002 15MAY24	YW1045 40195806CMO



<b>COMMSCOPE, INC. OF NORTH CAROLINA</b>										
TOLERANCES					SAP MATERIAL MASTER					
1 PLACE .X[X] ± 0.2[6.3]			3 PLACE .XXX[X] ± 0.060[1.5]		<b>EQ-P1520-EP-LP-003</b>					
2 PLACE .XX[X] ± 0.12[3.0]			ANGLES ± 2°							
FINISH					MATERIAL					
UNLESS OTHERWISE SPECIFIED DIMENSIONS ARE IN INCHES INTERPRET PER ANSI Y 14.5M-1994	NAME	DATE	TITLE							
	CE RY1002	16MAY24	<b>15X20 EQ-PLATFORM, W/HR/SL/RISER, 3'</b>							
	RW RY1002	06/03/2024								
	AD YW1045	06/03/2024	SCALE	DOCUMENT NO.						
	RE RY1002	06/03/2024	<b>1:16</b>	<b>EQ-P1520-EP-LP-003</b>						
ECN 40195806CMO										
SIZE	Auth Group	INSL	MODEL			DRAWING				SHEET
<b>C</b>			VERSION	STATUS	REVISION	VERSION	STATUS	REVISION	1 OF 7	
			00	RE	A	00	RE	A		

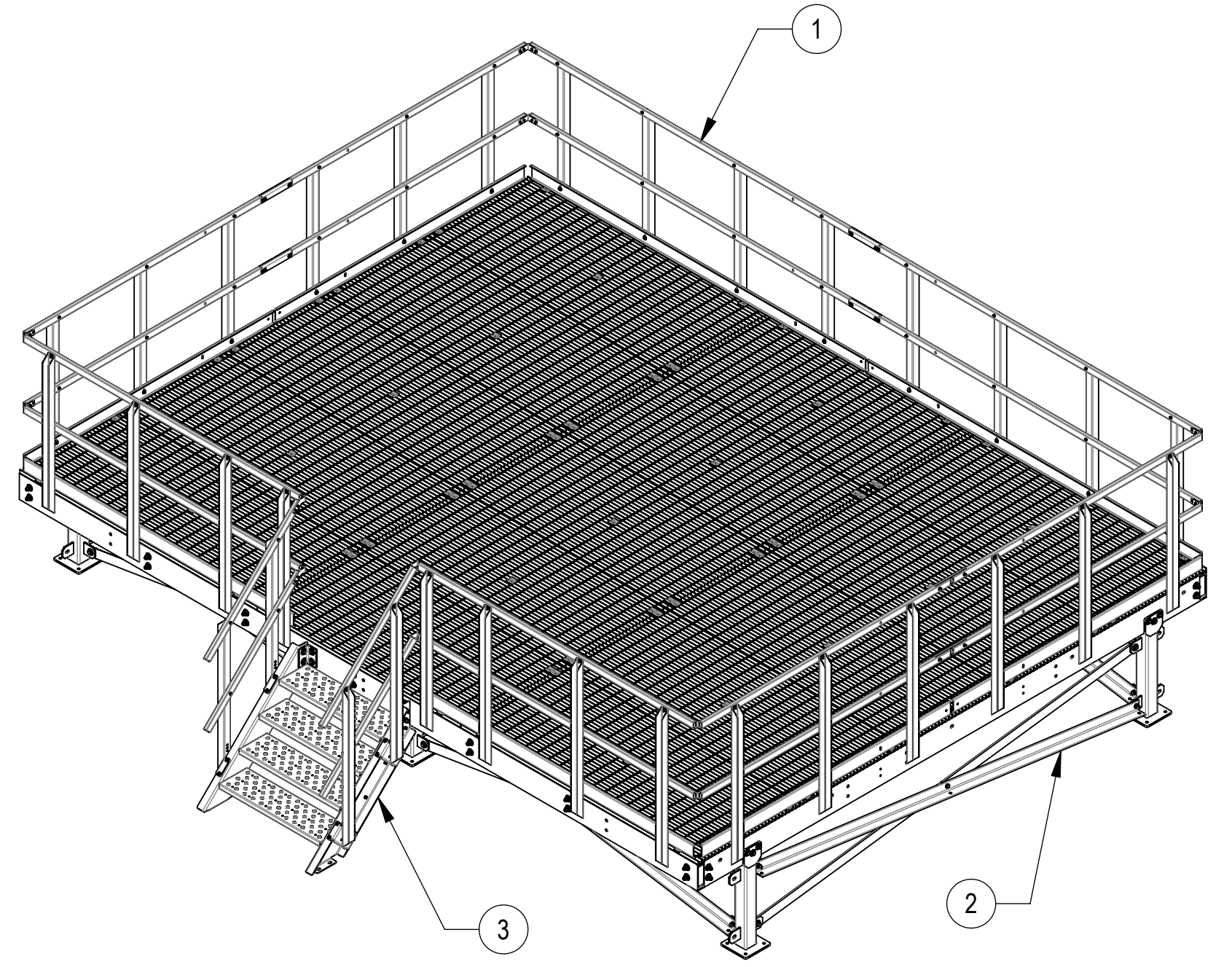
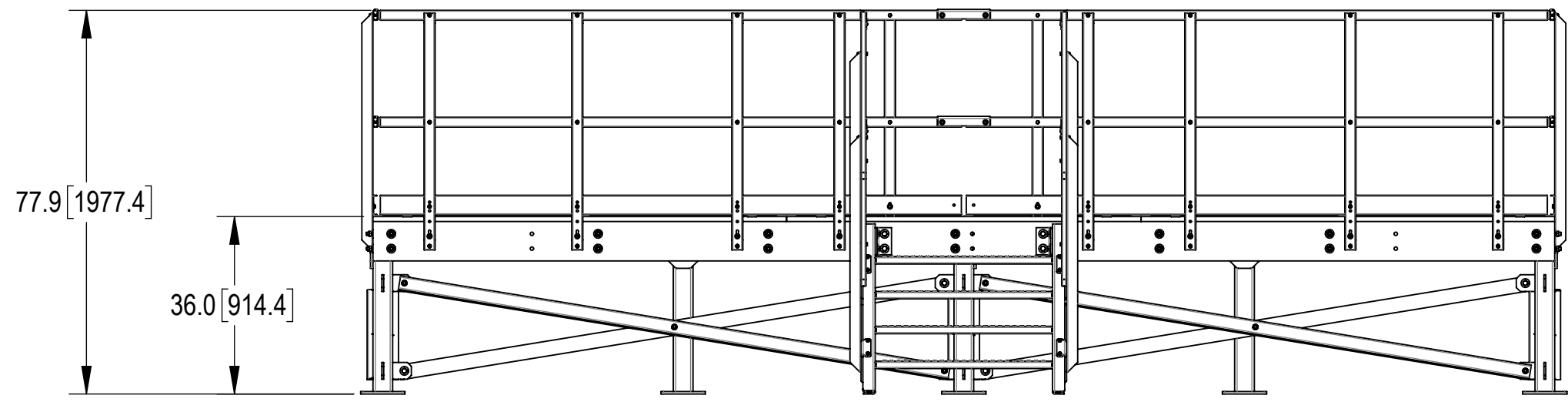
DENSITY		lbs/in³
MASS	6412.37	lbs
VOLUME	22608.36	in³
SURFACE AREA	239804.91	in²
HEIGHT	77.7"	
LENGTH	245.0"	
WIDTH	219.2"	

4

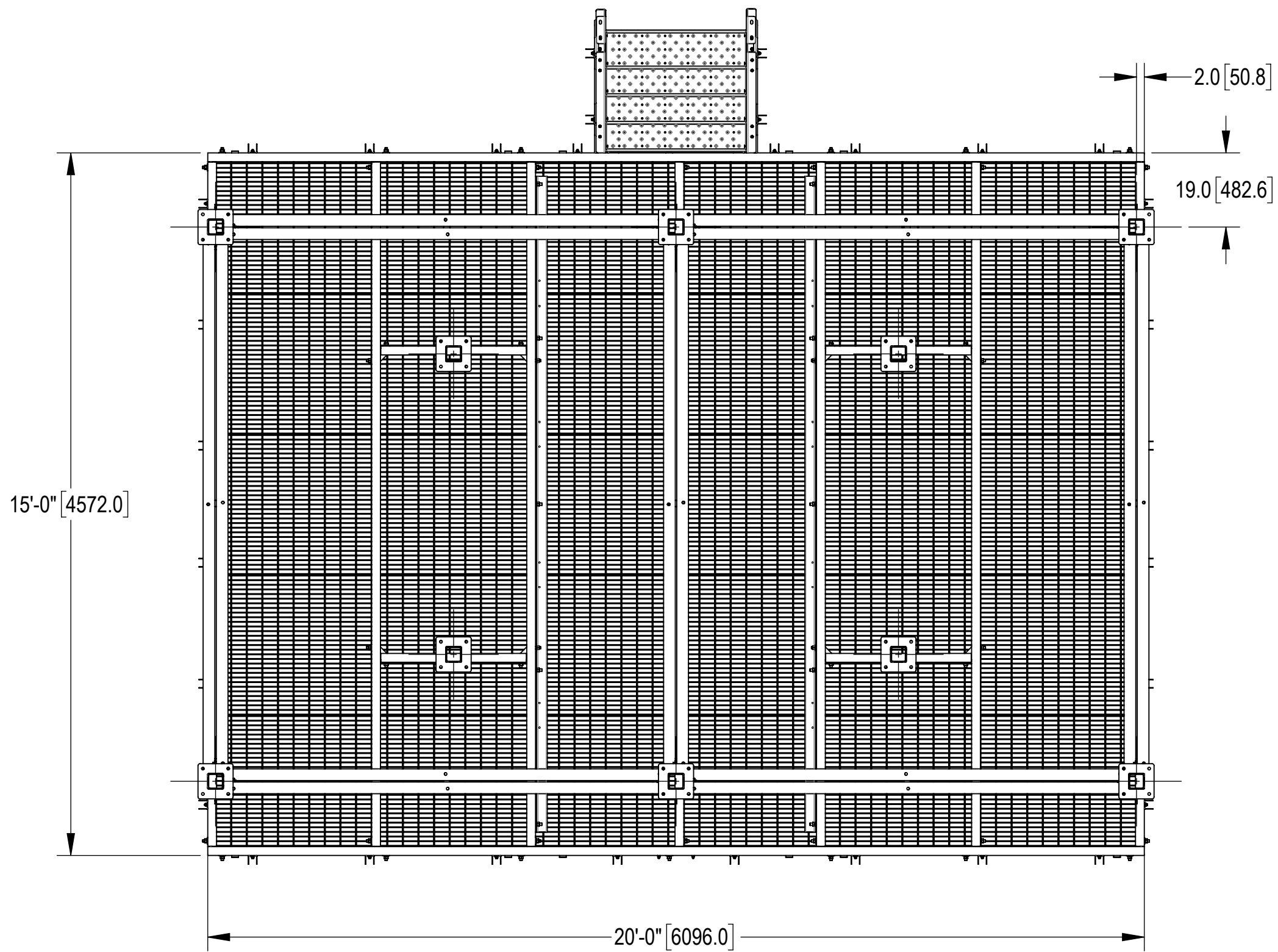
3

2

1



C



B

A

COMPONENT PART NUMBERS PROVIDED FOR ASSEMBLY PURPOSES;  
INDIVIDUAL COMPONENTS MAY BE SHIPPED AS PARTS WITHIN AN INCLUDED KIT.

ITEM	PART NO.	DESCRIPTION	QTY.	WEIGHT	NOTE NO.
1	EQ-P1520-EP-B	PLATFORM, 15X20, BASE-KIT	1	4997.83 LBS	
2	EQ-P1520-EP-R3	RISER FOR EQ-P1520-EP-B, 3'	1	1186.33 LBS	
3	MTC7902SL3	45° SHIP LADDER, 3' ELEVATED PLAT/HR	1	228.21 LBS	

COMMSCOPE, INC. OF NORTH CAROLINA					
TITLE 15X20 EQ-PLATFORM, W/HR/SL/RISER, 3'					
SIZE C	SCALE 1:30	DOCUMENT NO. EQ-P1520-EP-LP-003			
DRAWING		REVISION		SHEET	
VERSION 00	STATUS RE	REVISION A	2 OF 7		

© 2024 CommScope, Inc. Confidential

4

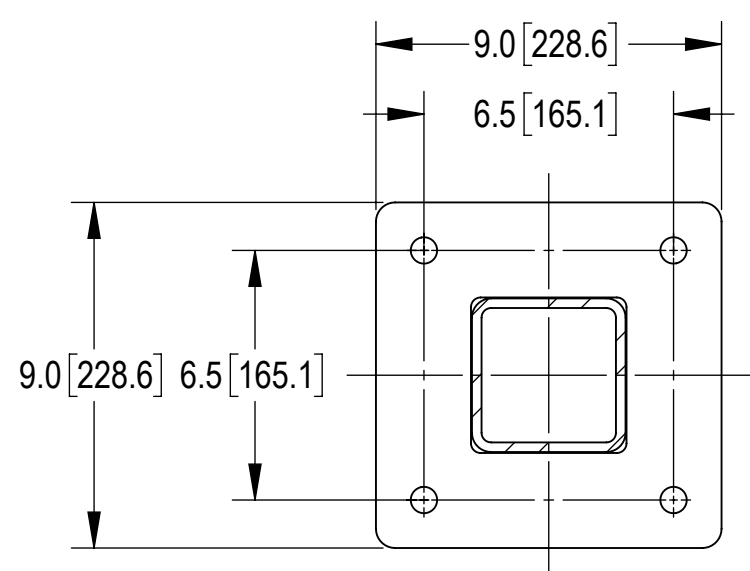
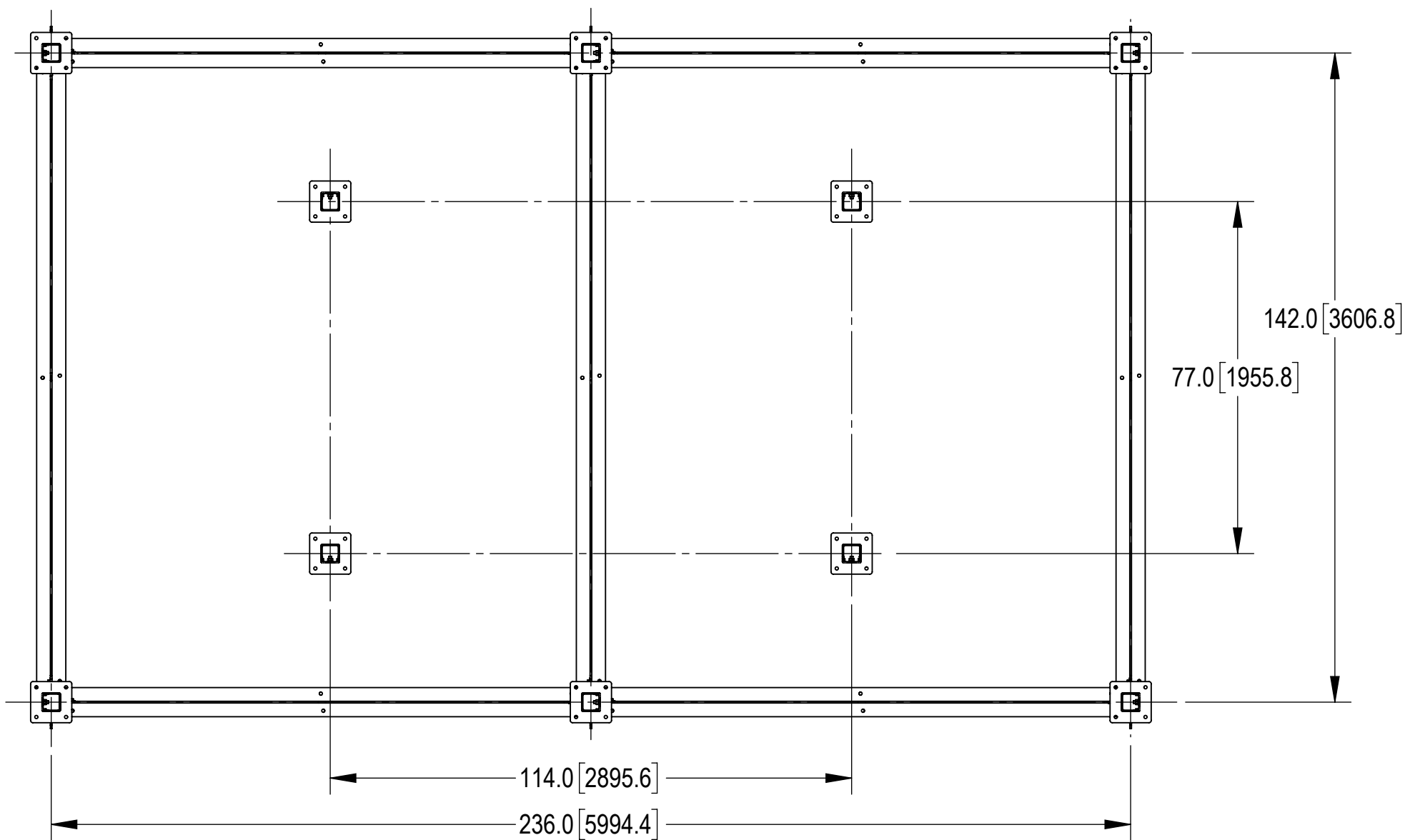
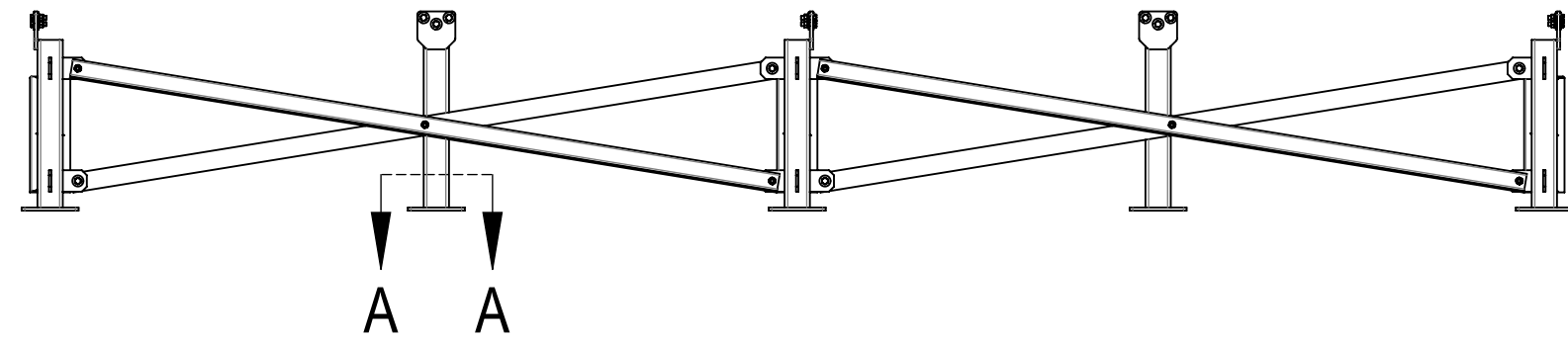
3

2

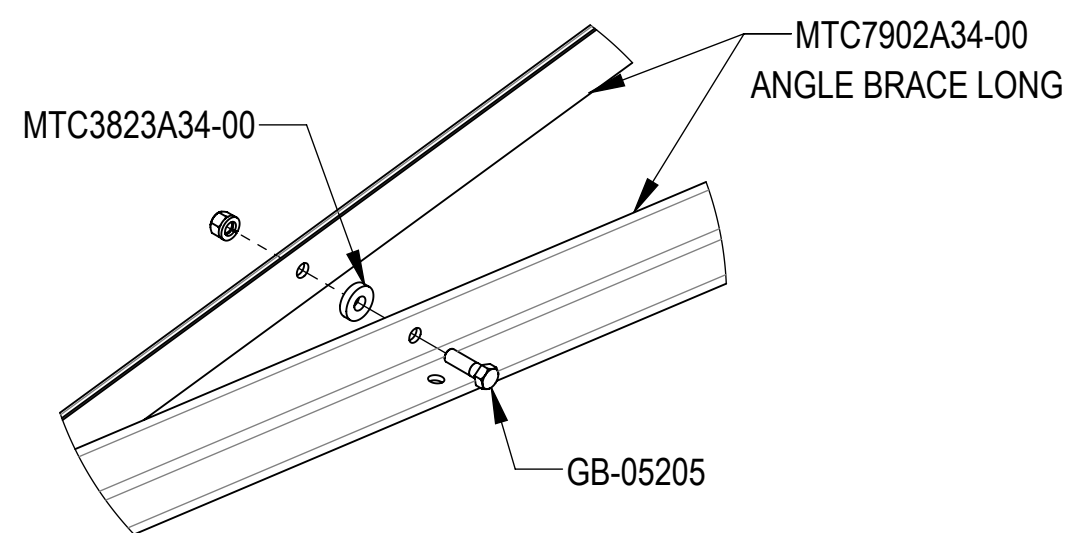
1

# INSTALLATION SEQUENCE

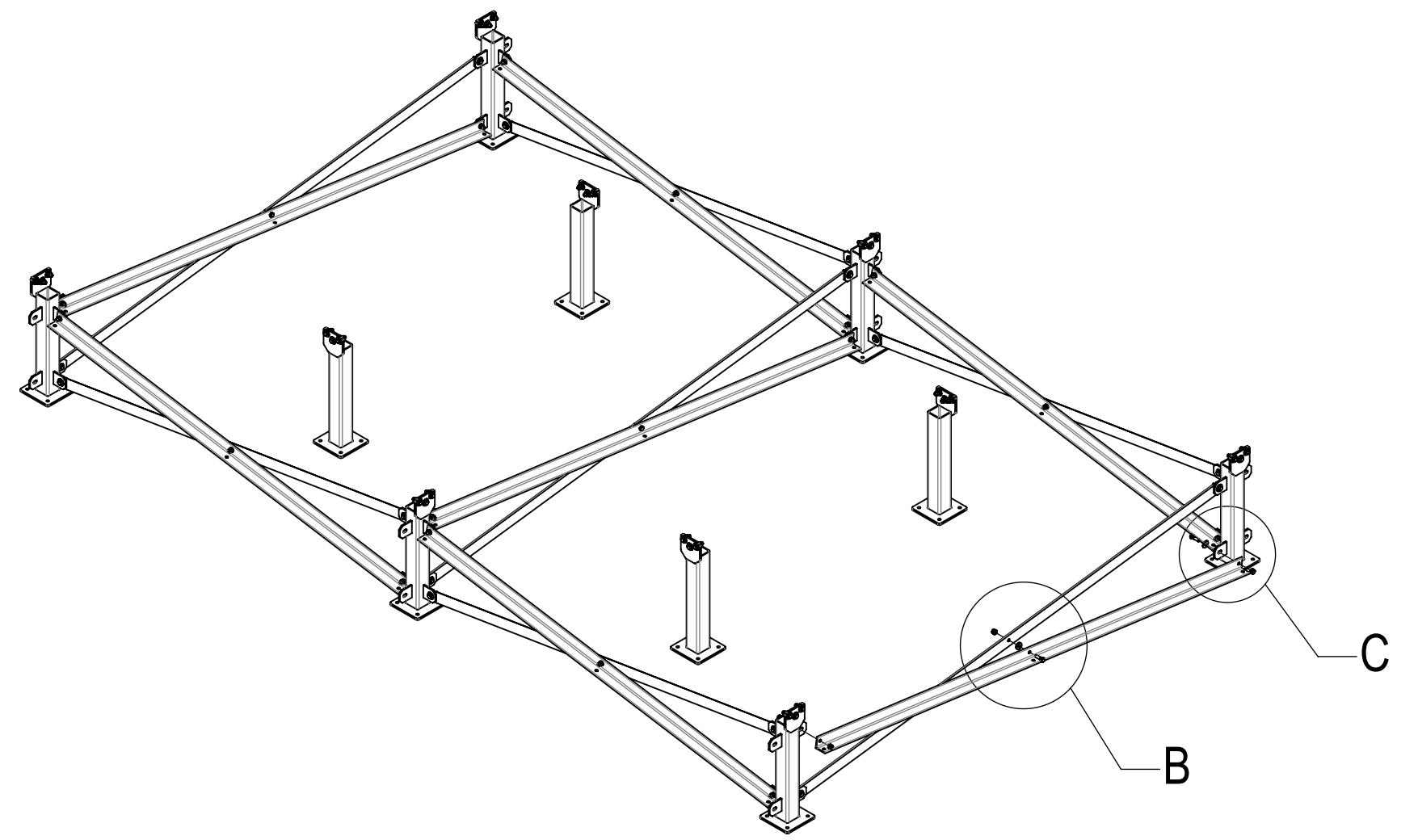
STEP 1: LOCATE AREA WHERE THE RISER ASSEMBLY WILL BE INSTALLED.



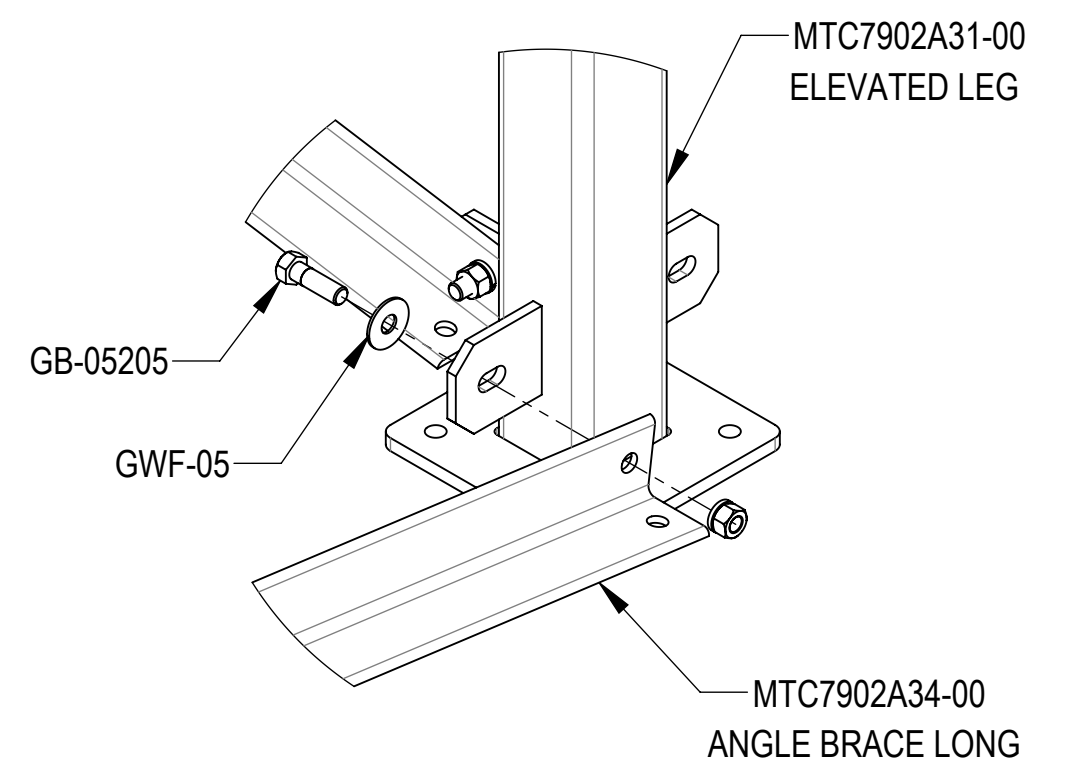
**SECTION A-A**  
SCALE 1 : 5



**DETAIL B**  
SCALE 1 : 8



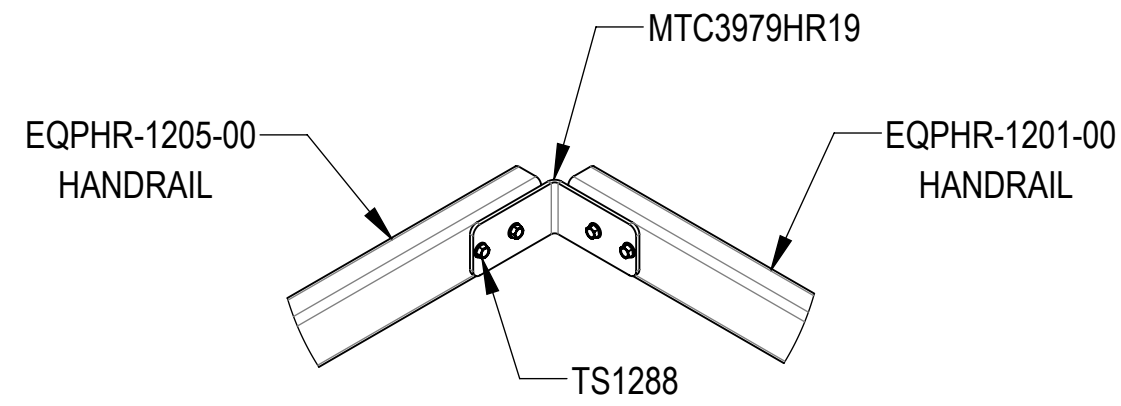
ALL PARTS ARE INCLUDED IN EQ-P1520-EP-R3 ASSEMBLY  
(USE DRAWING EQ-P1520-EP-R3 FOR DETAILS)



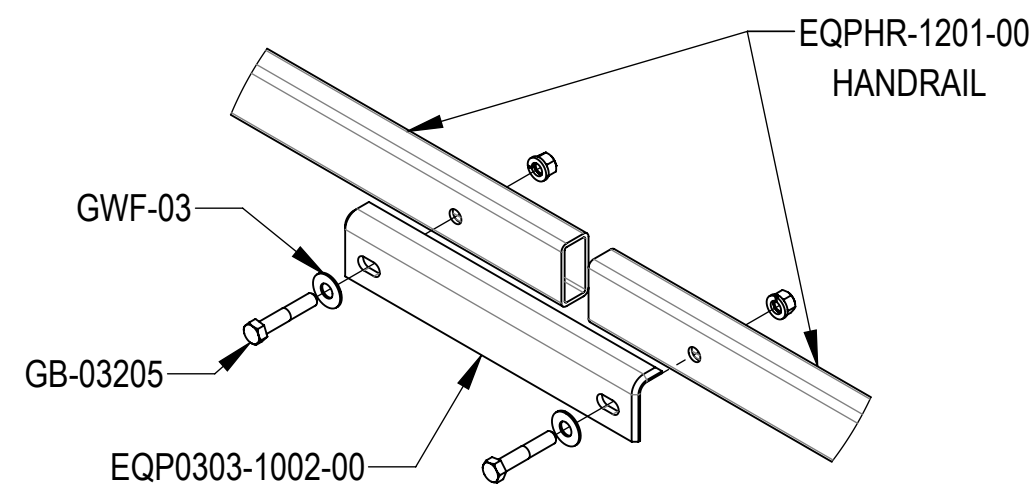
**DETAIL C**  
SCALE 1 : 6  
(USE SAME FASTENERS FOR THE OTHERS)

COMMSCOPE, INC. OF NORTH CAROLINA				
TITLE 15X20 EQ-PLATFORM, W/HR/SL/RISER, 3'				
SIZE C	SCALE 1:30	DOCUMENT NO. EQ-P1520-EP-LP-003		
DRAWING		VERSION	STATUS	REVISION
		00	RE	A
SHEET 3 OF 7				

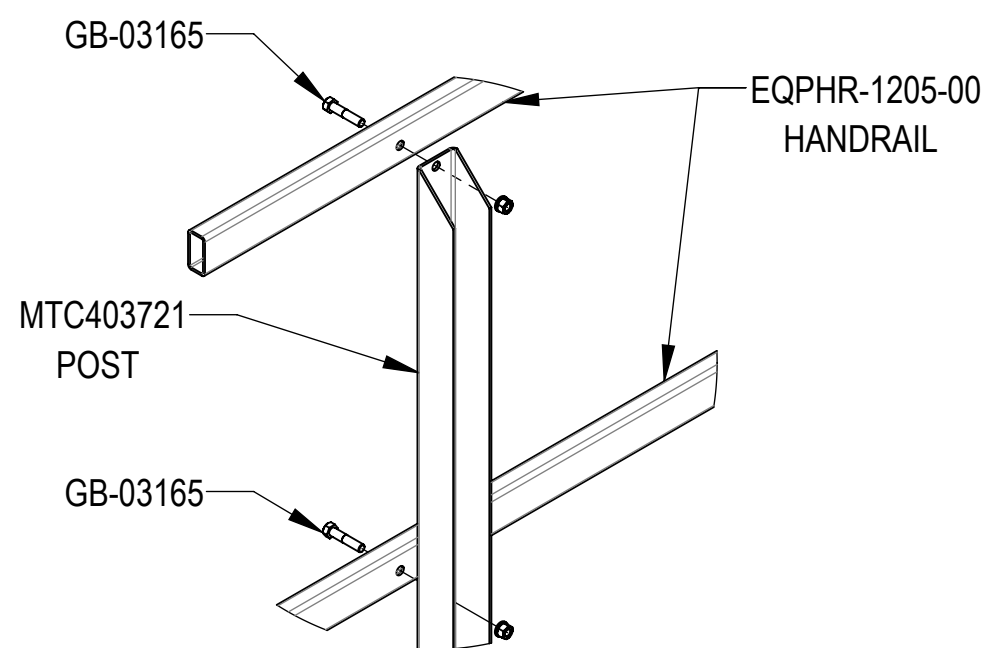
STEP 2: INSTALL PLATFORM (EQ-P1520-EP-B).



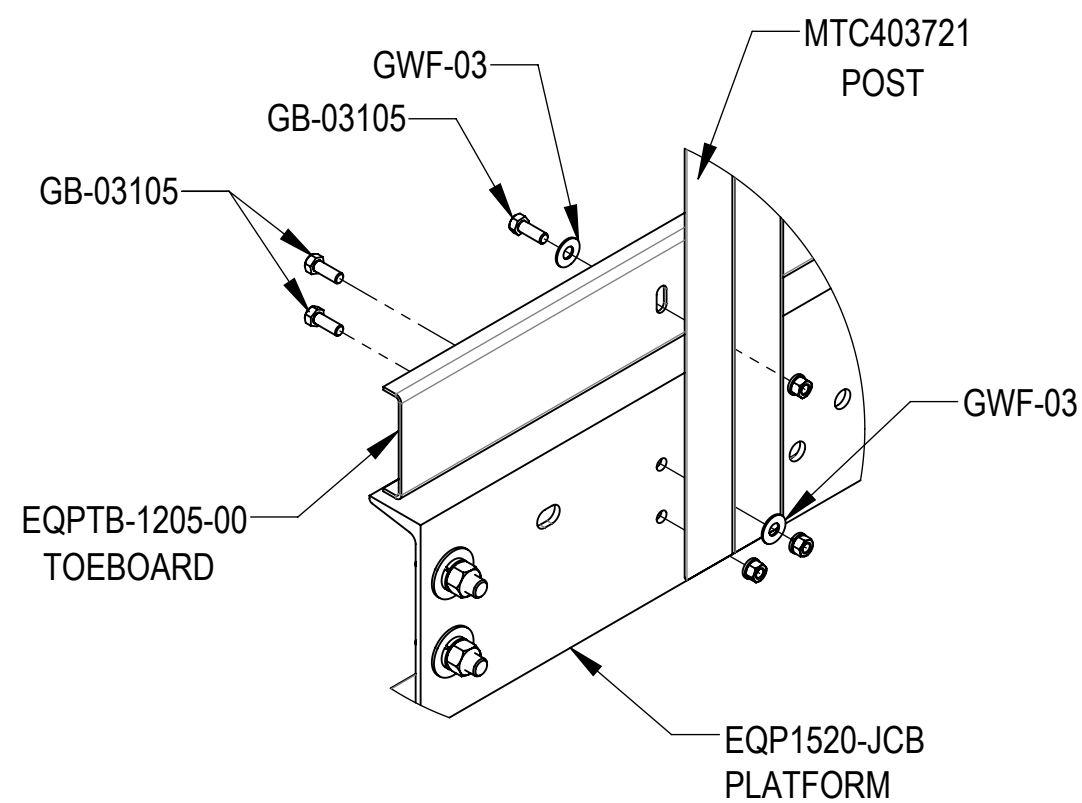
DETAIL D  
SCALE 1 : 5



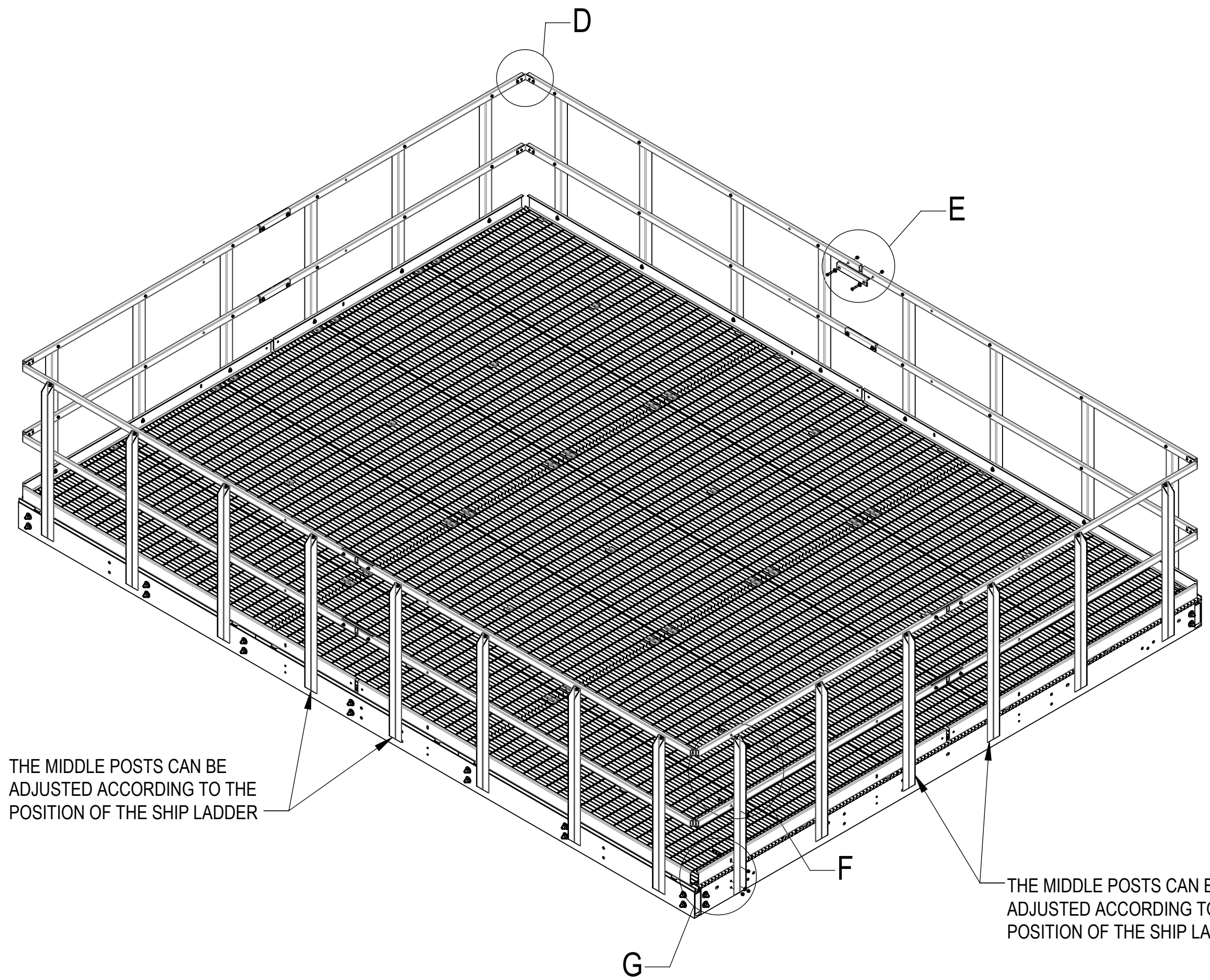
DETAIL E  
SCALE 1 : 5



DETAIL F  
SCALE 1 : 8



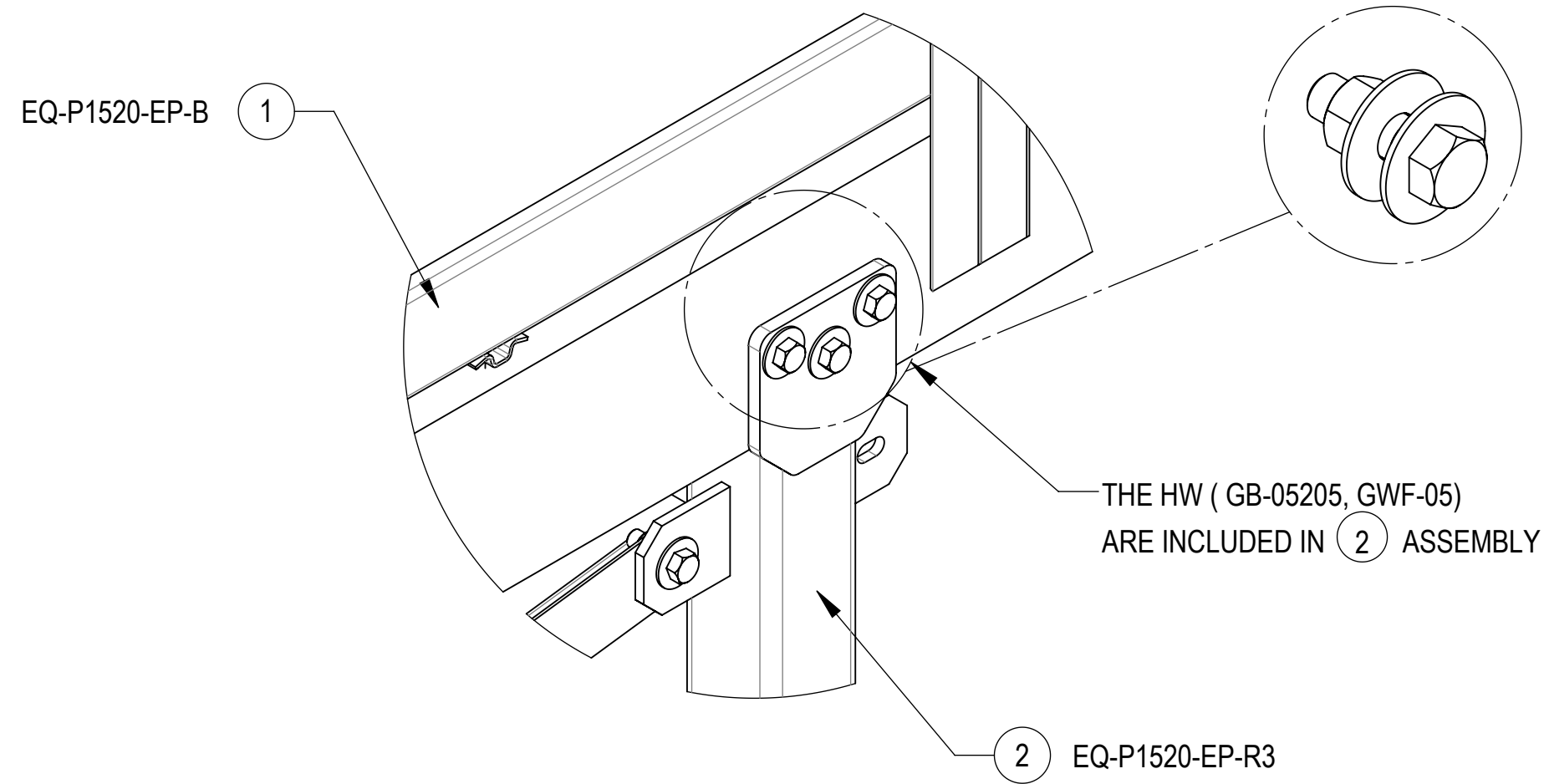
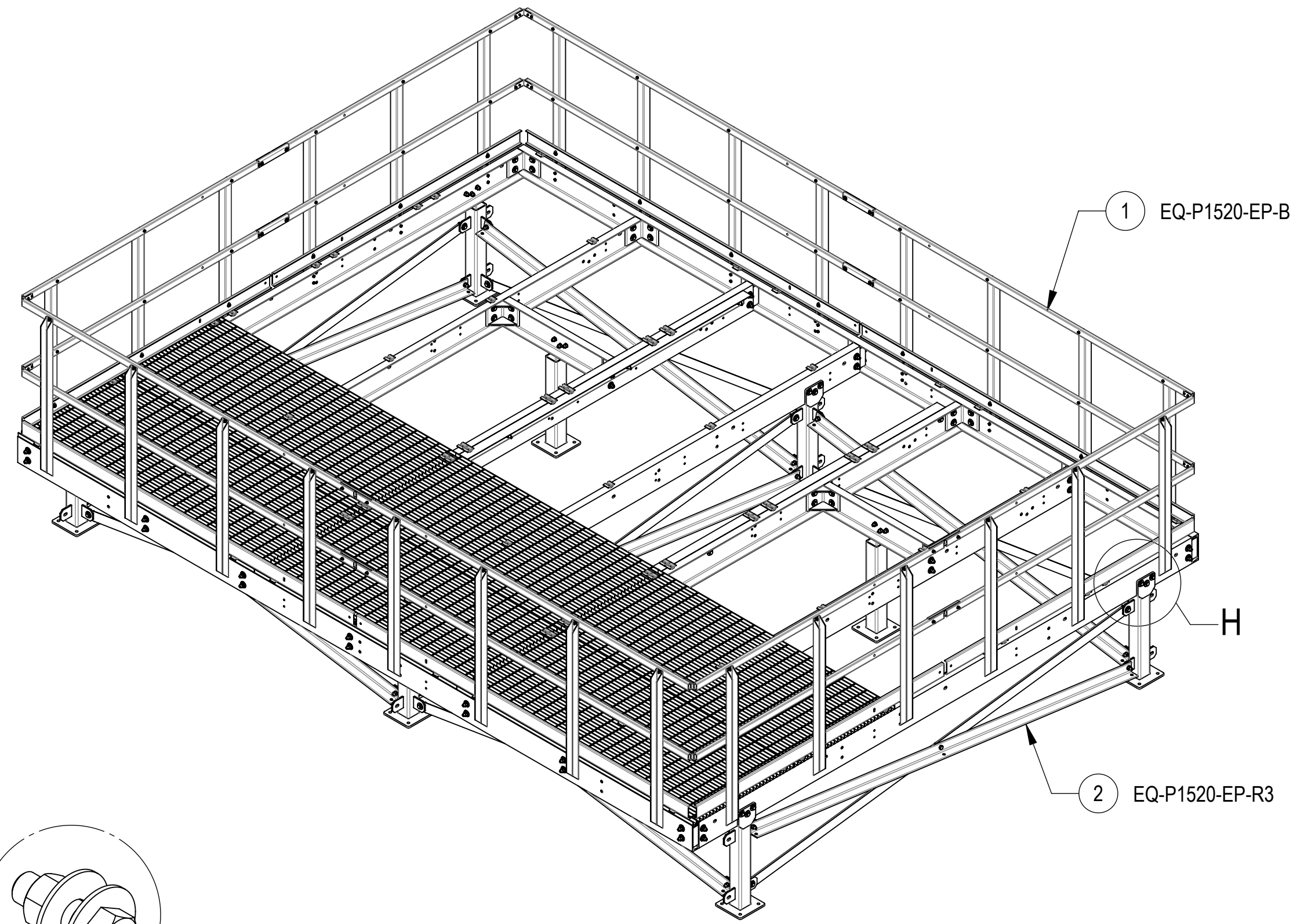
DETAIL G  
SCALE 1 : 6



ALL PARTS ARE INCLUDED IN EQ-P1520-EP-B ASSEMBLY  
(USE DRAWING EQ-P1520-EP-B FOR DETAILS)

COMMSCOPE, INC. OF NORTH CAROLINA				
TITLE 15X20 EQ-PLATFORM, W/HR/SL/RISER, 3'				
SIZE C	SCALE 1:25	DOCUMENT NO. EQ-P1520-EP-LP-003		
		DRAWING		SHEET
		VERSION	STATUS	REVISION
		00	RE	A
				4 OF 7

STEP 3: ATTACH PLATFORM (EQ-P1520-EP-B) TO RISER (EQ-P1520-EP-R3) USING BOLT KITS (GB-05205) AND WASHERS (GWF-05).



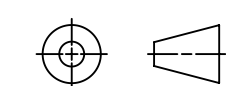
DETAIL H  
SCALE 1 : 5  
10 PLS

HIDE BAR GRATING FOR CLARITY

COMMSCOPE, INC. OF NORTH CAROLINA

TITLE  
15X20 EQ-PLATFORM, W/HR/SL/RISER, 3'

SIZE <b>C</b>	SCALE <b>1:28</b>	DOCUMENT NO. EQ-P1520-EP-LP-003
------------------	----------------------	------------------------------------



DRAWING			SHEET 5 OF 7
VERSION	STATUS	REVISION	
00	RE	A	

4

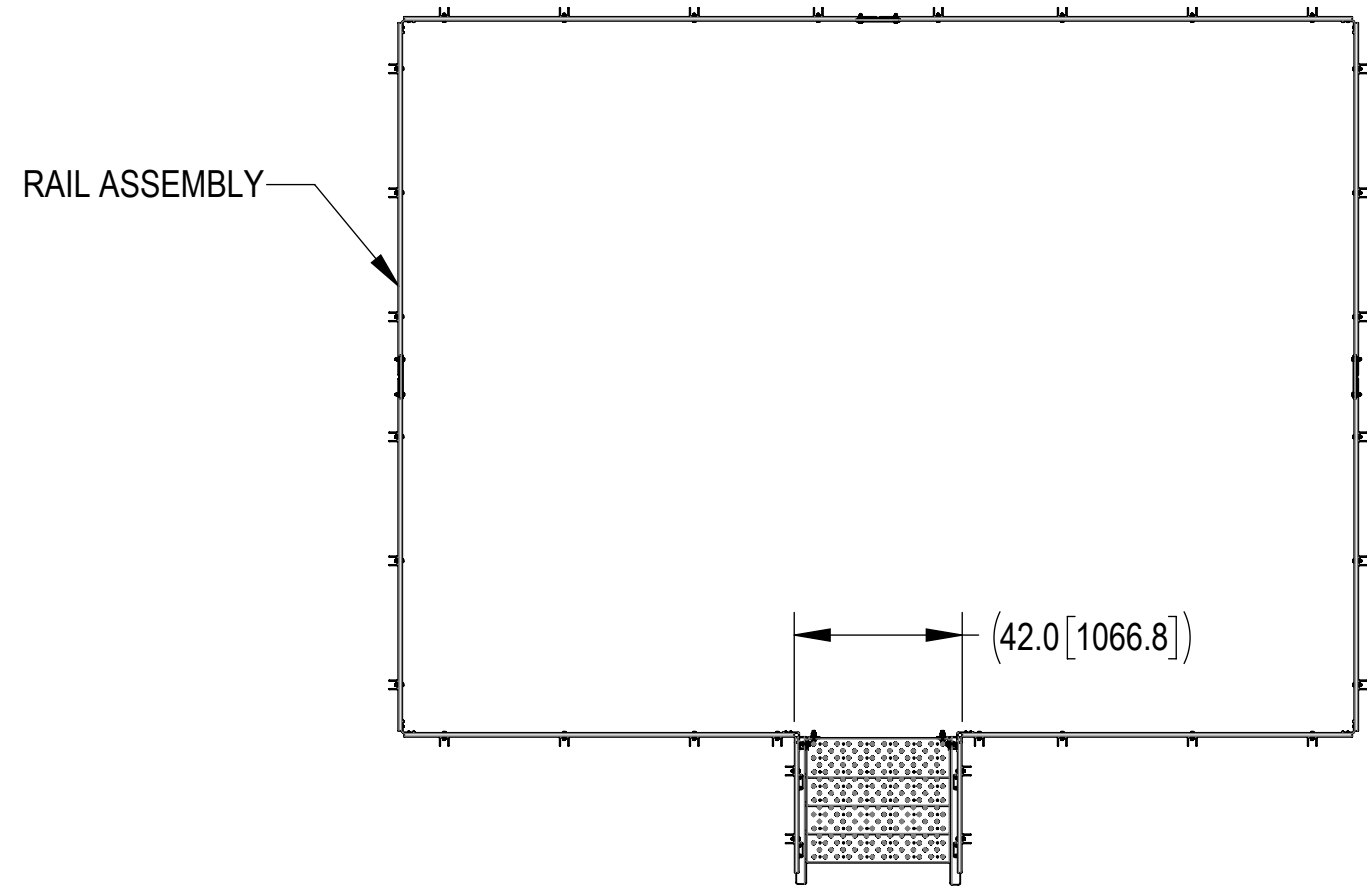
3

2

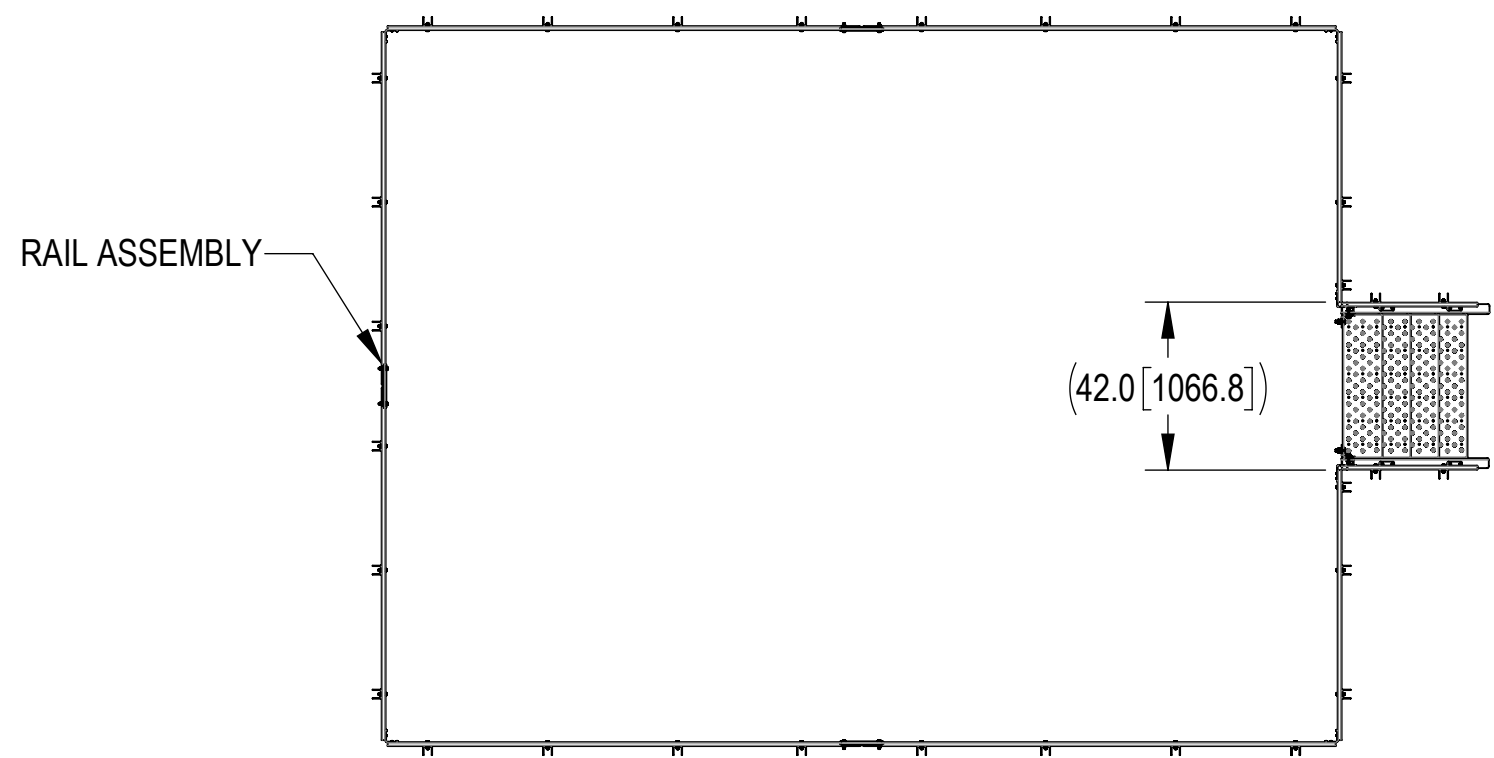
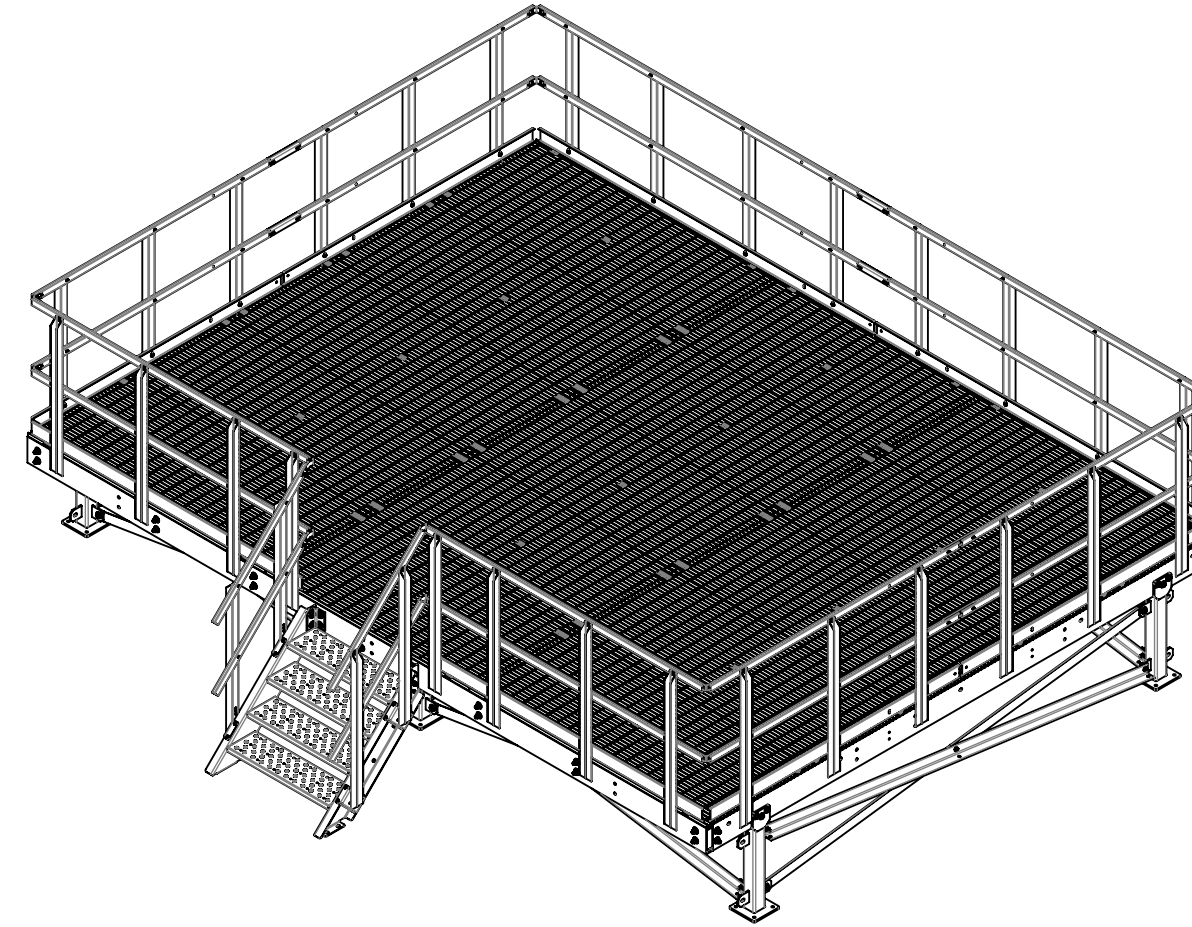
1

STEP 4: PROCEED TO CREATE CUT-OUT IN RAILING FOR STAIRWAY OPENING. CUSTOMER CAN CHOOSE THE ENTRANCE LOCATION AS NEEDED. IF THE OPENING IS IN THE MIDDLE POSITION OF EACH SIDE, THE INSTALLATION HOLES FOR STAIRS AND HANDRAILS ARE PRE-MACHINED. IF THE OPENING IS OFFSET, THE HOLES WILL NEED TO BE DRILLED ON SITE.

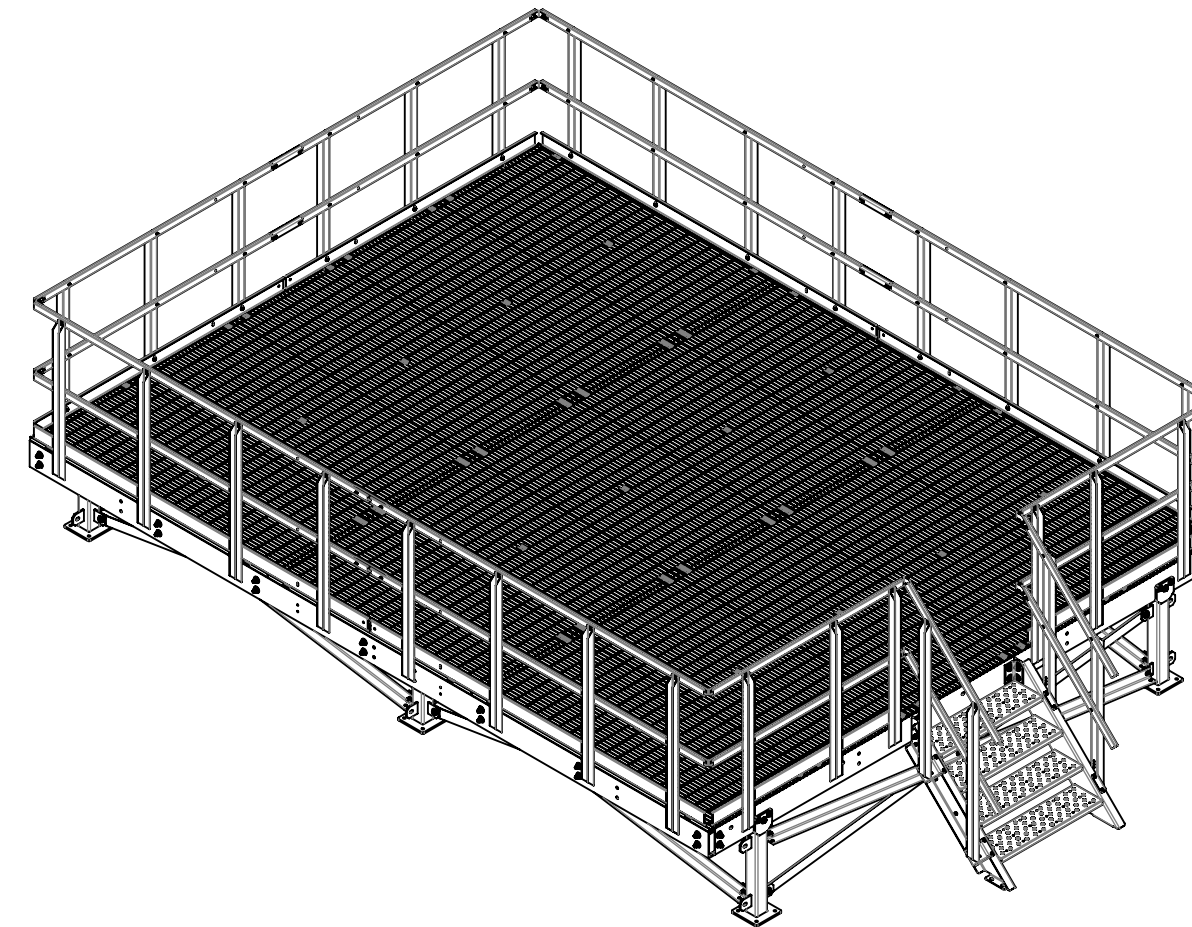
(THIS VIEW IS FOR REFERENCE ONLY)  
 \*TECHNICIAN WILL HAVE TO DETERMINE CUT-OUT DIMENSIONS FOR THEIR CUSTOMIZED APPLICATION.


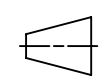


TOP VIEW  
 CUT ON THE LONG SIDE  
 (SOME COMPONENTS REMOVED FOR CLARITY)



TOP VIEW  
 CUT ON THE SHORT SIDE  
 (SOME COMPONENTS REMOVED FOR CLARITY)



COMMSCOPE, INC. OF NORTH CAROLINA				
TITLE 15X20 EQ-PLATFORM, W/HR/SL/RISER, 3'				
SIZE <b>C</b>	SCALE <b>1:48</b>	DOCUMENT NO. EQ-P1520-EP-LP-003		
 		DRAWING		SHEET 6 OF 7
		VERSION 00	STATUS RE	

4

3

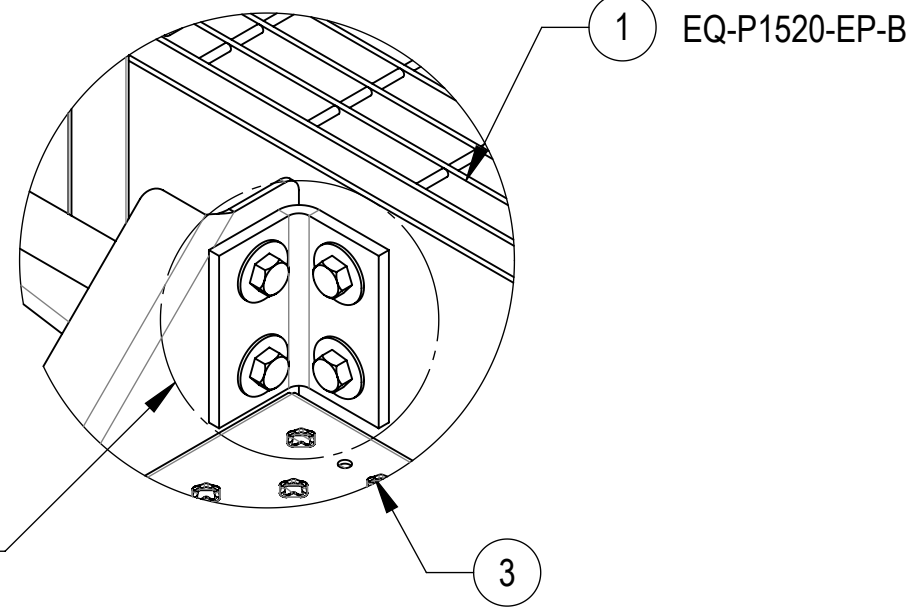
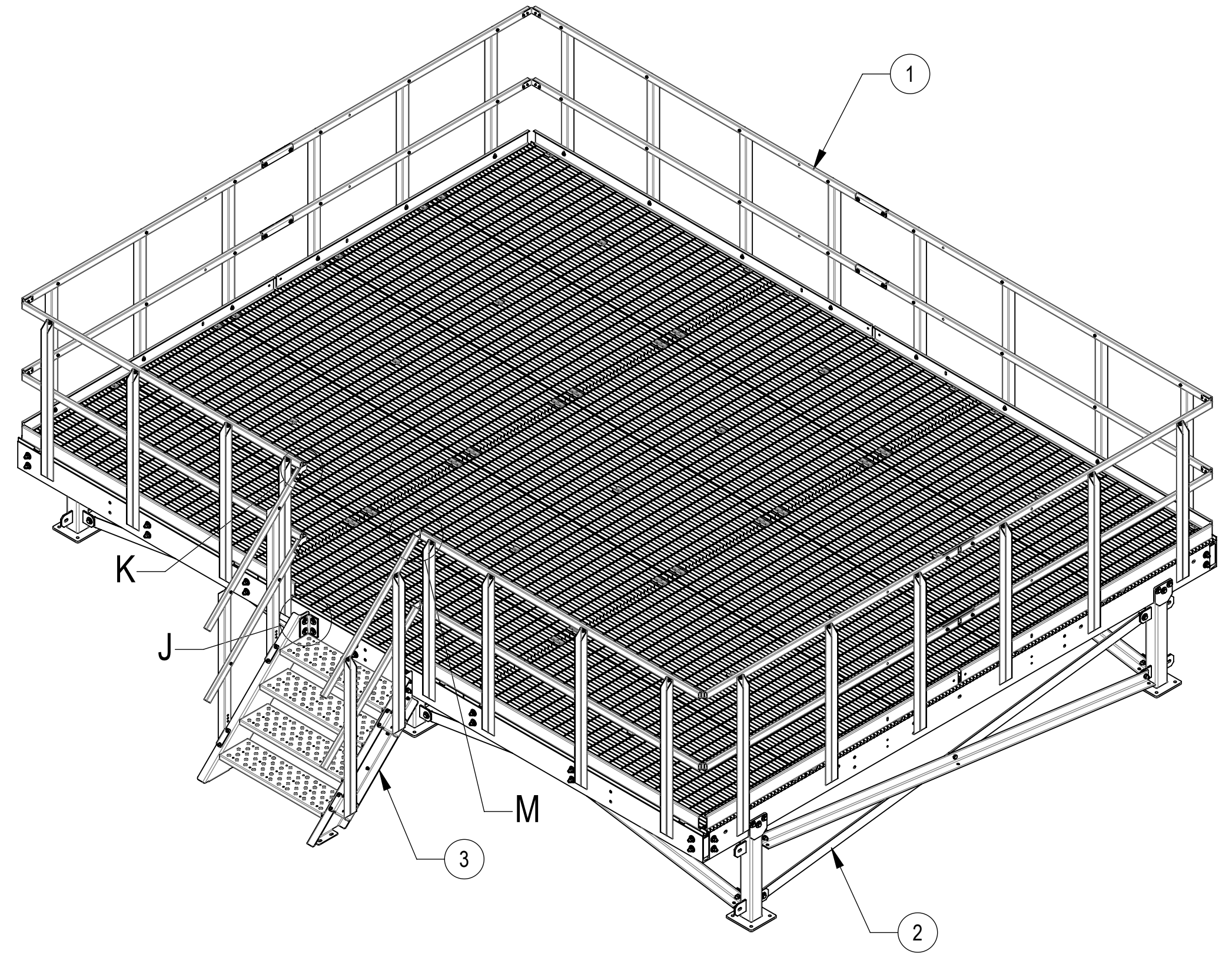
2

1

STEP 5: ATTACH SHIP LADDER (MTC7902SL3) TO PLATFORM (EQ-P1520-EP-B).

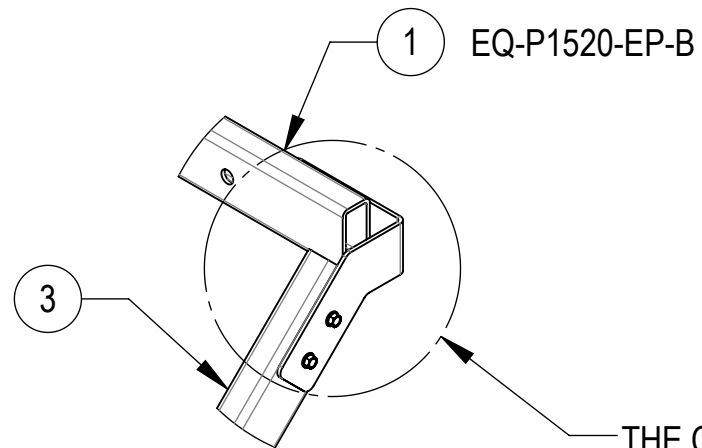
5A: CONNECT WITH FRAME USING ANGLE BRACKET (MTC957714), BOLT KITS (GB-05205) AND WASHERS (GWF-05);

5B: CONNECT WITH HANDRAIL USING BRACKET (MTC3979HR20R-00 & MTC3979HR20L-00) AND SELF DRILLING SCREWS (TS1288).



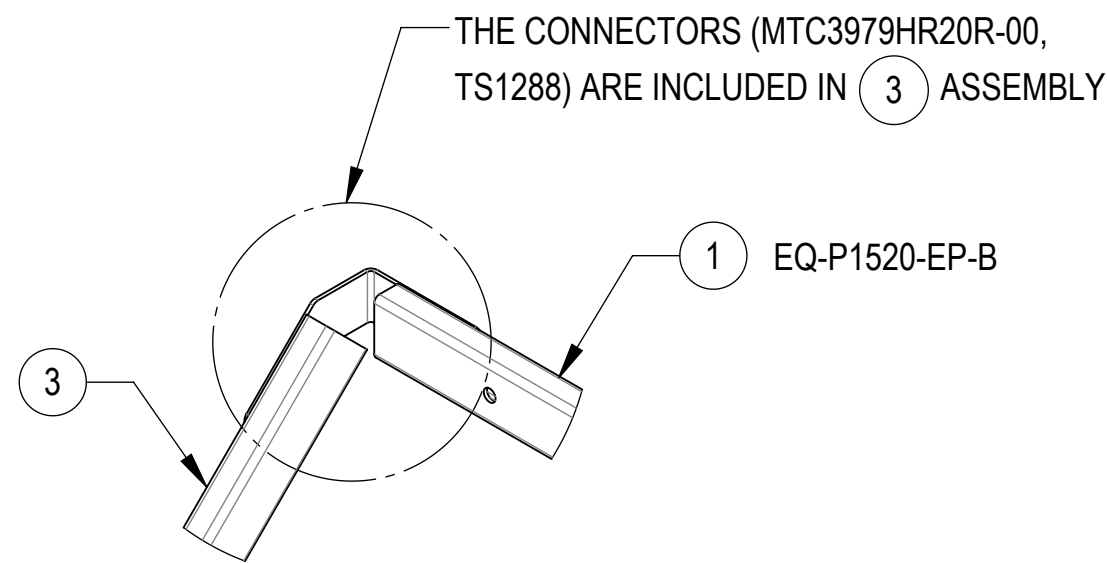
DETAIL J  
SCALE 1 : 5

THE CONNECTORS (MTC957714, GB-05205, GWF-05) ARE INCLUDED IN (3) ASSEMBLY



DETAIL K  
SCALE 1 : 5


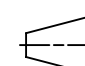
THE CONNECTORS (MTC3979HR20L-00, TS1288) ARE INCLUDED IN (3) ASSEMBLY



DETAIL M  
SCALE 1 : 5

THE CONNECTORS (MTC3979HR20R-00, TS1288) ARE INCLUDED IN (3) ASSEMBLY

HIDDEN SOME PARTS FOR CLARITY

COMMSCOPE, INC. OF NORTH CAROLINA					
TITLE 15X20 EQ-PLATFORM, W/HR/SL/RISER, 3'					
SIZE C	SCALE 1:28	DOCUMENT NO. EQ-P1520-EP-LP-003			
 		DRAWING			SHEET 7 OF 7
		VERSION 00	STATUS RE	REVISION A	